

[54] COFFEE TABLE

[76] Inventor: David R. Saltzman, 28686 Spring Arbor, Southfield, Mich. 48076

[\*\*] Term: 14 Years

[21] Appl. No.: 395,460

[22] Filed: Jul. 6, 1982

[52] U.S. Cl. .... D6/487

[58] Field of Search ..... D6/27, 68, 146-153, D6/175, 177-179

[56] References Cited

U.S. PATENT DOCUMENTS

- D. 227,211 6/1973 Klotz et al. .... D6/78 X
- D. 228,106 8/1973 Klotz et al. .... D6/177
- D. 229,652 12/1973 Brooke, Jr. .... D6/175

OTHER PUBLICATIONS

Interiors, Dec. 1979, p. 30, Footstool top center.

Primary Examiner—Bruce W. Dunkins  
Attorney, Agent, or Firm—Cullen, Sloman, Cantor, Grauer, Scott & Rutherford

[57] CLAIM

The ornamental design for a coffee table, substantially as shown.

DESCRIPTION

FIG. 1 is a perspective view of a coffee table showing my new design.

FIG. 2 is a side elevational view thereof.

FIG. 3 is a top plan view thereof.

FIG. 4 is a bottom plan view thereof.

FIG. 5 is a left side elevational view thereof.

FIG. 6 is a right side elevational view thereof.

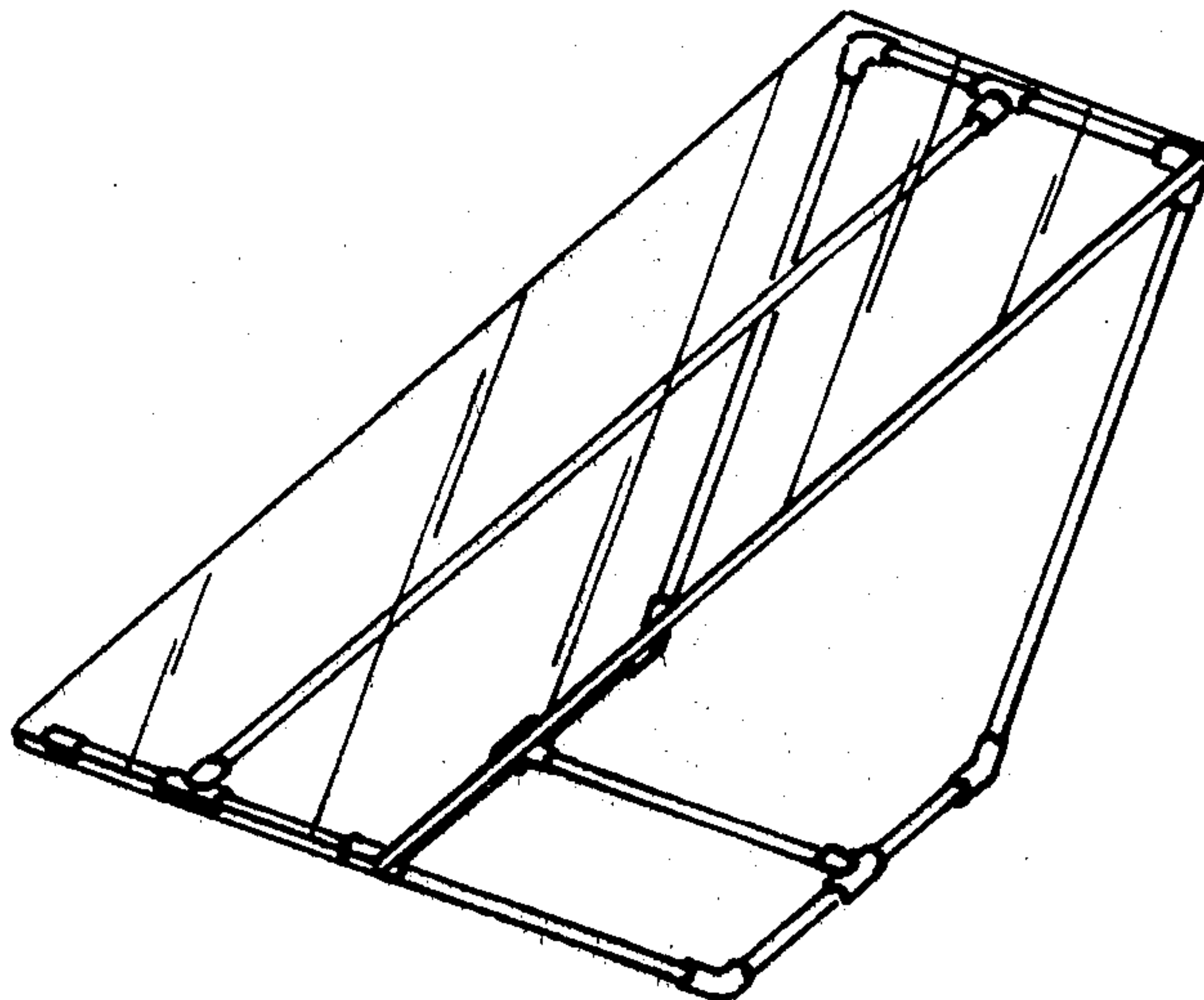


FIG. 1

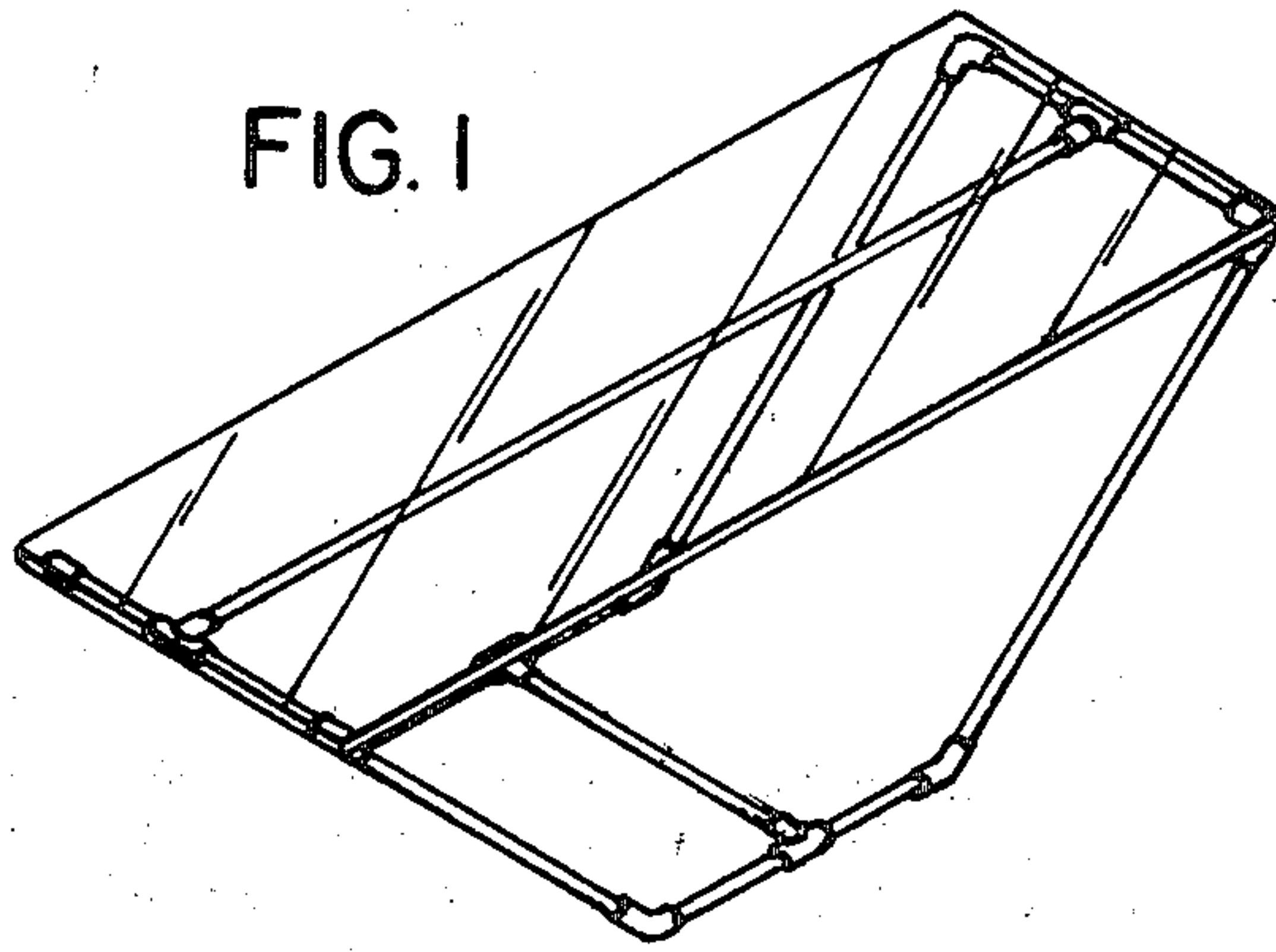


FIG. 3

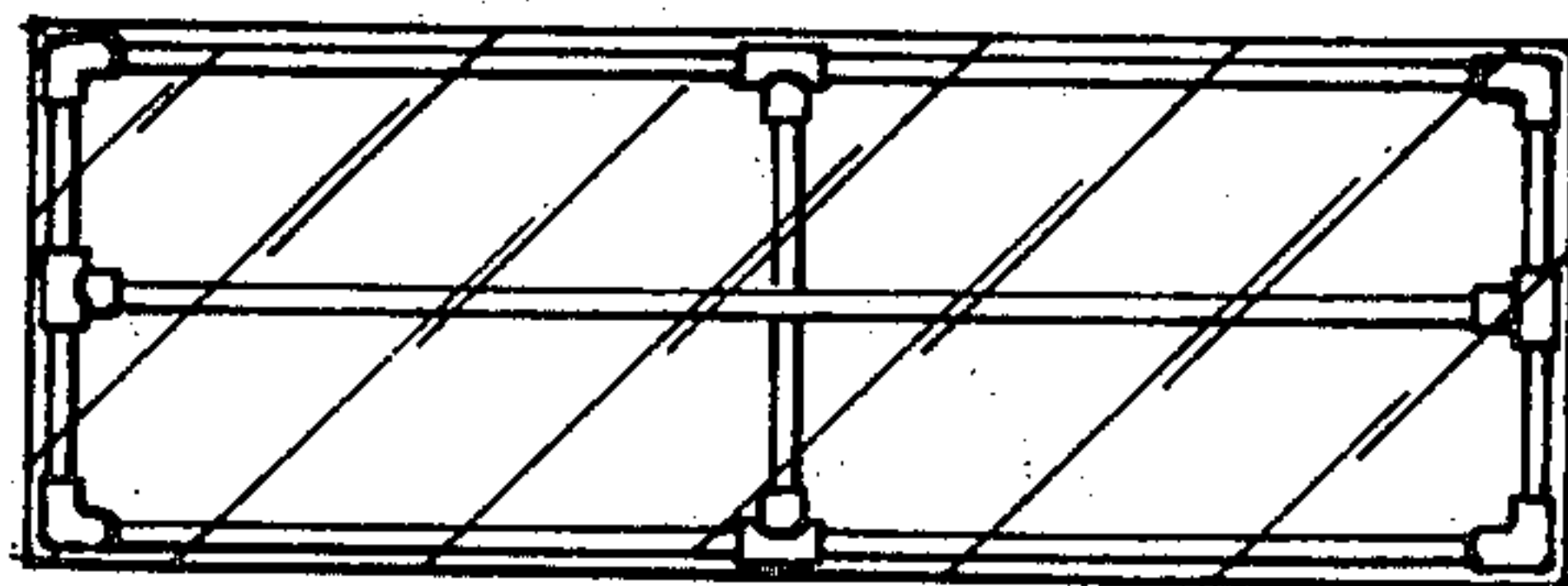


FIG. 5

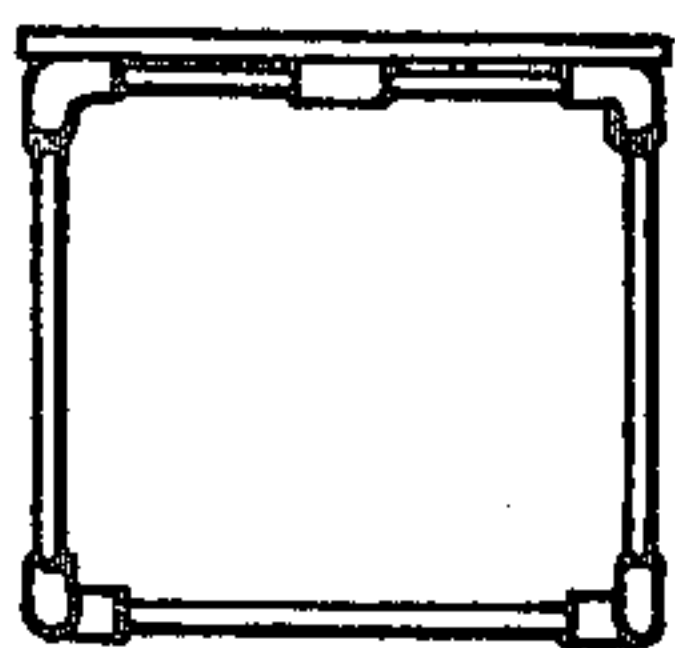


FIG. 2

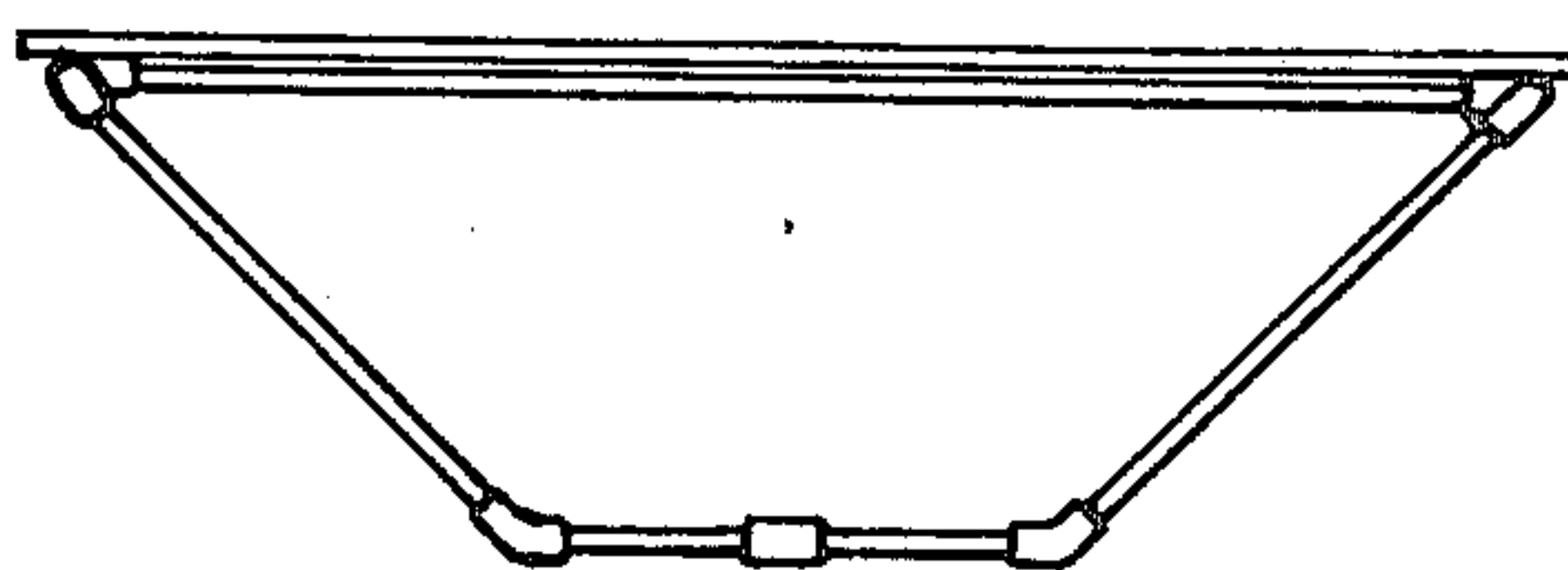


FIG. 6

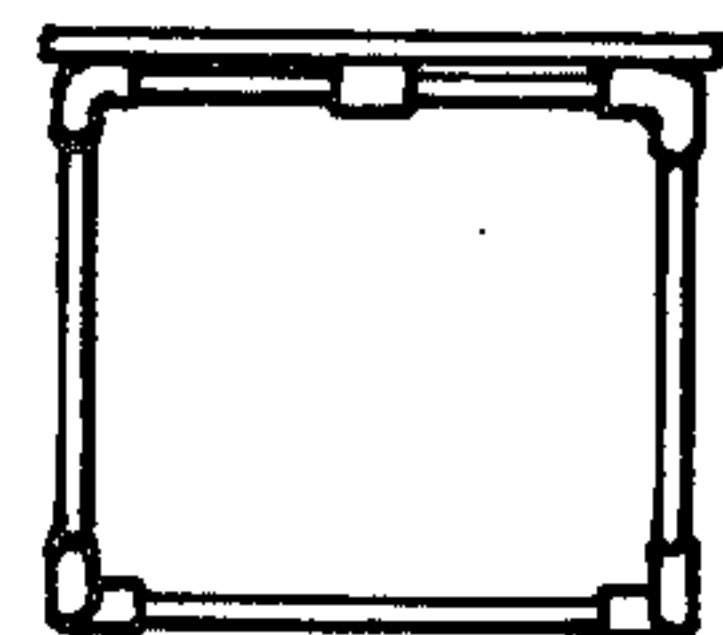


FIG. 4

