

[54] LOCKER CADDY

[76] Inventor: Charles R. Ousley, P.O. Box 2304, Jackson, Tenn. 38301

[\*\*] Term: 14 Years

[21] Appl. No.: 447,258

[22] Filed: Dec. 6, 1982

[52] U.S. Cl. .... D6/570; D6/525

[58] Field of Search ..... 211/13, 87, 88, 90; 108/152; D6/85, 114, 130, 131, 132, 134, 136, 186

[56] References Cited

U.S. PATENT DOCUMENTS

D. 214,512	6/1969	Byers	.....	D6/136
D. 223,617	5/1972	Smith et al.	.....	D6/131
D. 242,887	1/1977	Wise	.....	D6/131
D. 243,898	4/1977	Micciche	.....	D6/31
D. 267,529	1/1983	Brescia et al.	.....	D6/131
800,032	9/1905	Turner	.....	211/90
825,774	7/1906	Stumm	.....	211/88
892,238	6/1908	Fay	.....	211/88

1,446,036	2/1923	Dodd	.....	211/88
3,182,809	5/1965	Getoor	.....	211/88

Primary Examiner—B. J. Bullock  
Attorney, Agent, or Firm—Browdy and Neimark

[57] CLAIM

The ornamental design for a locker caddy, as shown and described.

DESCRIPTION

FIG. 1 is a front perspective view of a locker caddy, showing my new design;  
FIG. 2 is a front elevational view thereof;  
FIG. 3 is a side elevational view taken from the left of FIG. 1;  
FIG. 4 is a side elevational view taken from the left of FIG. 1;  
FIG. 5 is a rear elevational view thereof;  
FIG. 6 is a top view thereof;  
FIG. 7 is a bottom view thereof; and  
FIG. 8 is a front perspective view of a second embodiment of a design of FIG. 1, the only difference being the omission of the lowest tray and the area immediately above.

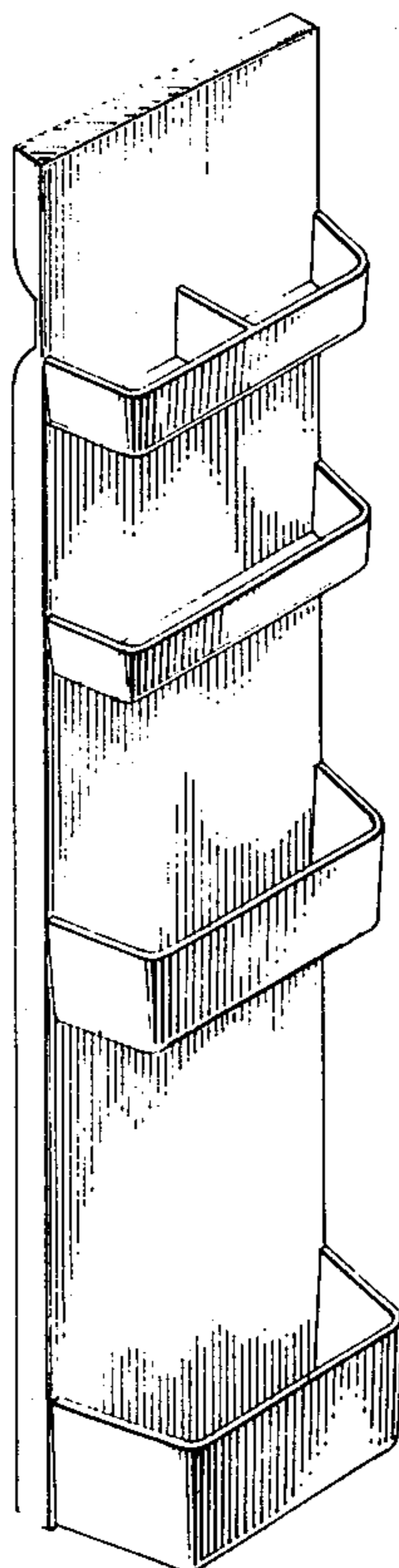


FIG. 1.

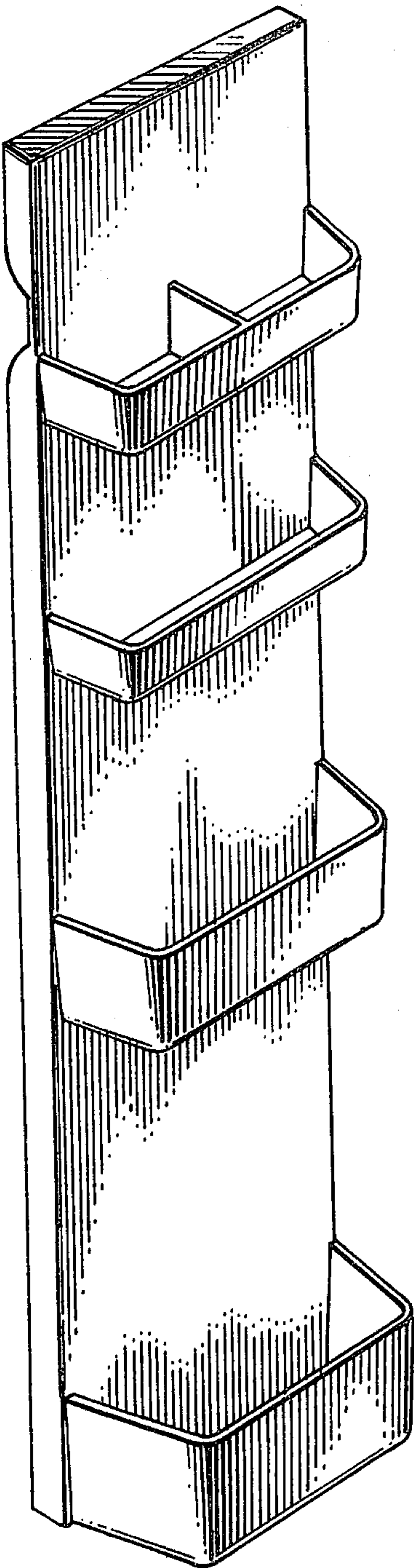


FIG. 2.

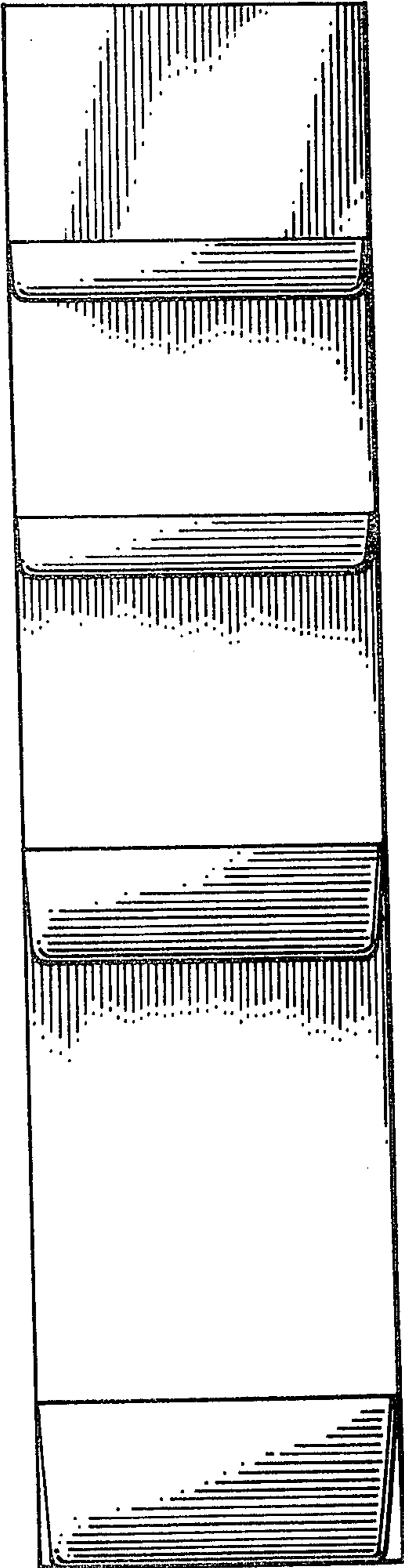


FIG. 3.

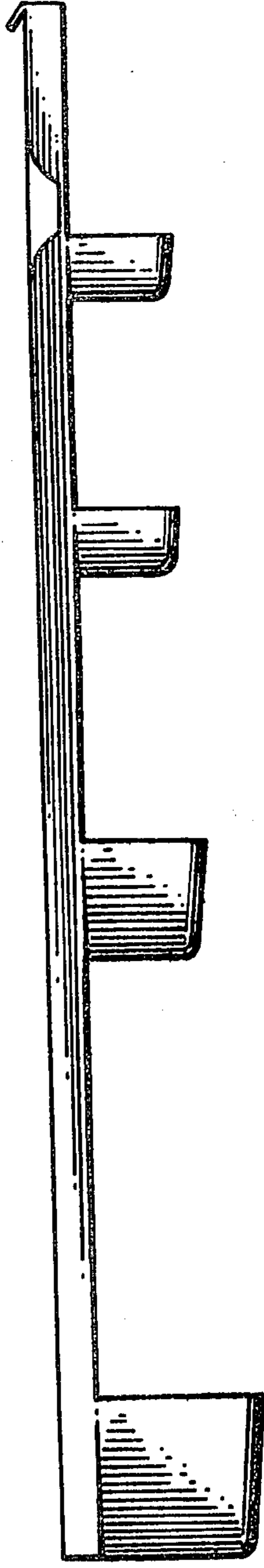


FIG. 4.

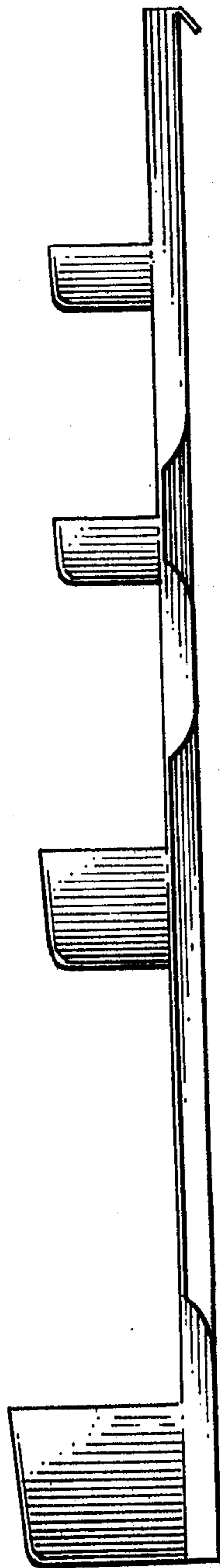


FIG. 5.

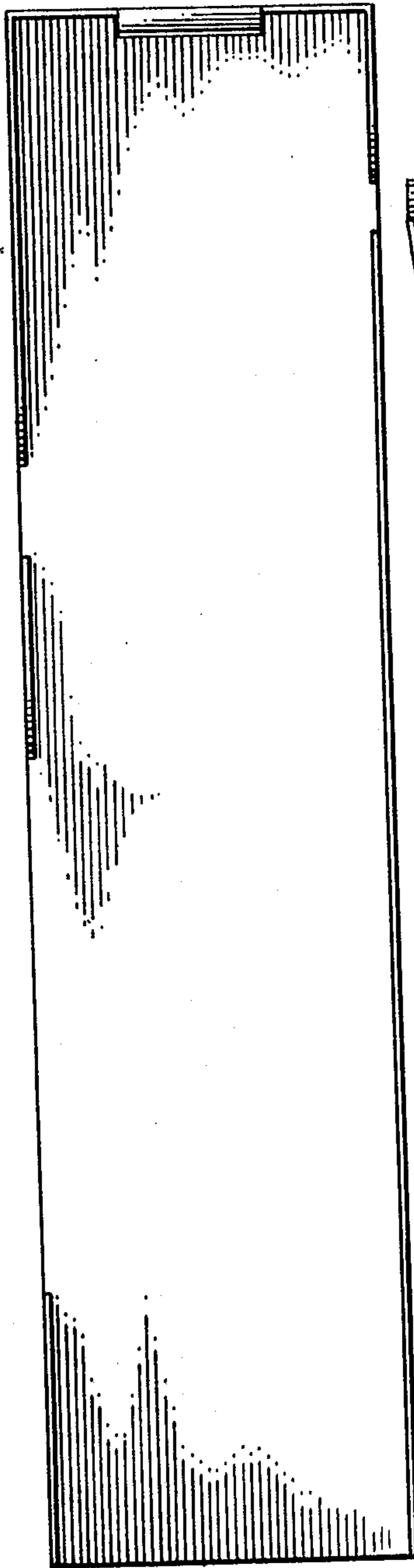


FIG. 6.

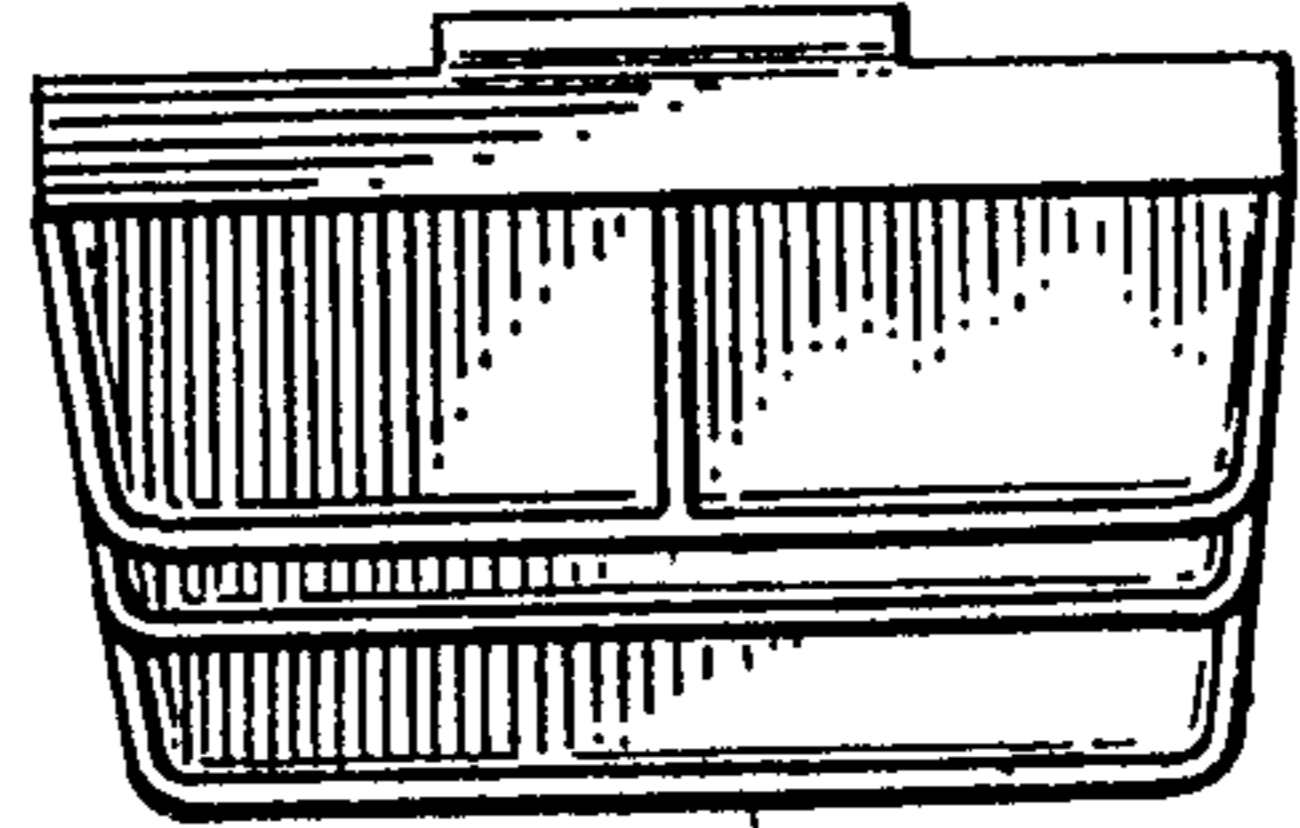


FIG. 7.

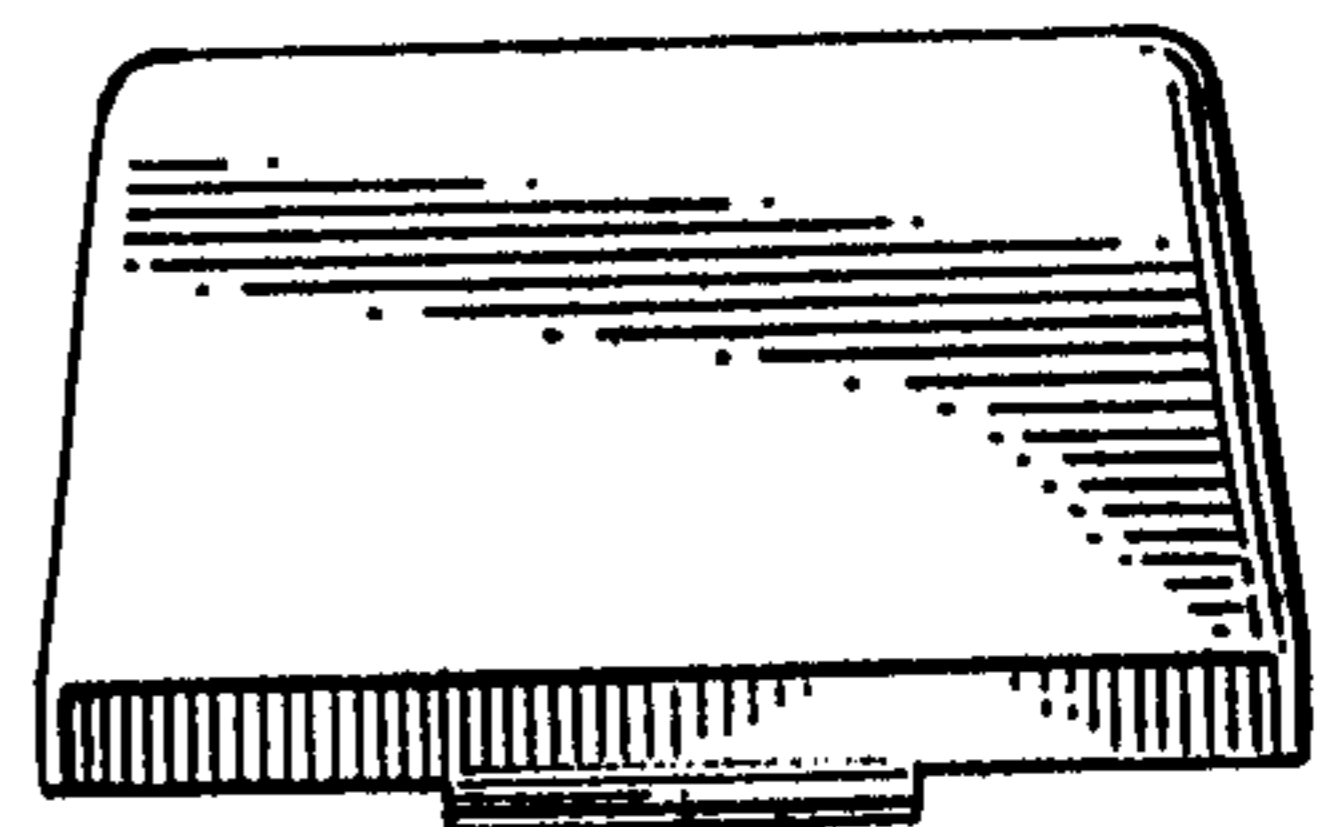


FIG. 8.

