

[54] FOLDABLE JEWELRY HOLDER AND DISPLAY CASE

[76] Inventor: Jan B. Mink, 1783 Cable St., San Diego, Calif. 92107

[**] Term: 14 Years

[21] Appl. No.: 300,265

[22] Filed: Sep. 8, 1981

[52] U.S. Cl. D3/75; D3/30.1

[58] Field of Search D3/30.1, 39, 41, 74, D3/75; 150/52 C; 206/373

[56] References Cited

U.S. PATENT DOCUMENTS

D. 236,552	8/1975	Wagner	D3/75
847,254	3/1907	Jackson	150/52 C
1,085,950	2/1914	Steinthal	150/52 C
1,565,389	12/1925	Peacock	150/52 C
1,679,101	7/1928	Sternthal	150/52 C

3,749,233 7/1973 McCormick, Jr. 150/52 C

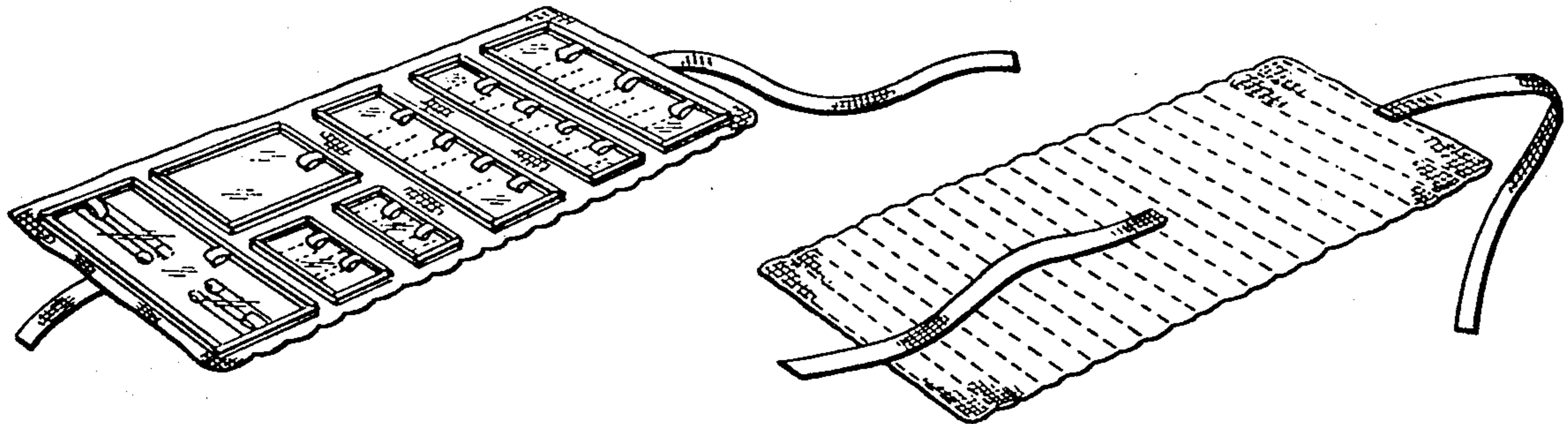
Primary Examiner—George P. Word
Attorney, Agent, or Firm—Boniard I. Brown

[57] CLAIM

The ornamental design for a foldable jewelry holder and display case, as shown and described.

DESCRIPTION

FIG. 1 is a top perspective view of a foldable jewelry holder and display case showing my new design.
FIG. 2 is a bottom perspective view thereof.
FIG. 3 is a top plan view thereof.
FIG. 4 is a bottom plan view thereof.
FIG. 5 is an enlarged scale top perspective view thereof in a folded condition, and
FIG. 6 is a side elevational view thereof in the unfolded condition.
Intermediate portions of the strap have been omitted in the FIGS. 3, 4 and 6 for convenience of illustration.



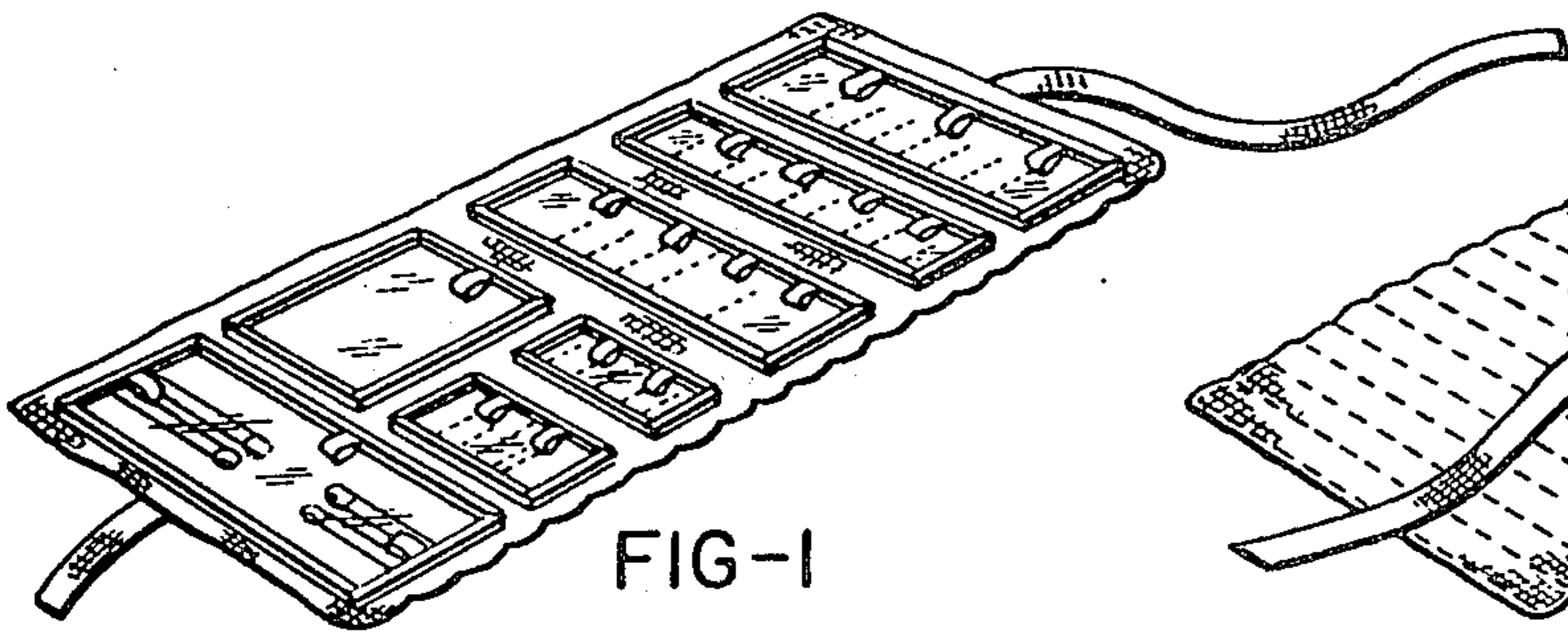


FIG-1

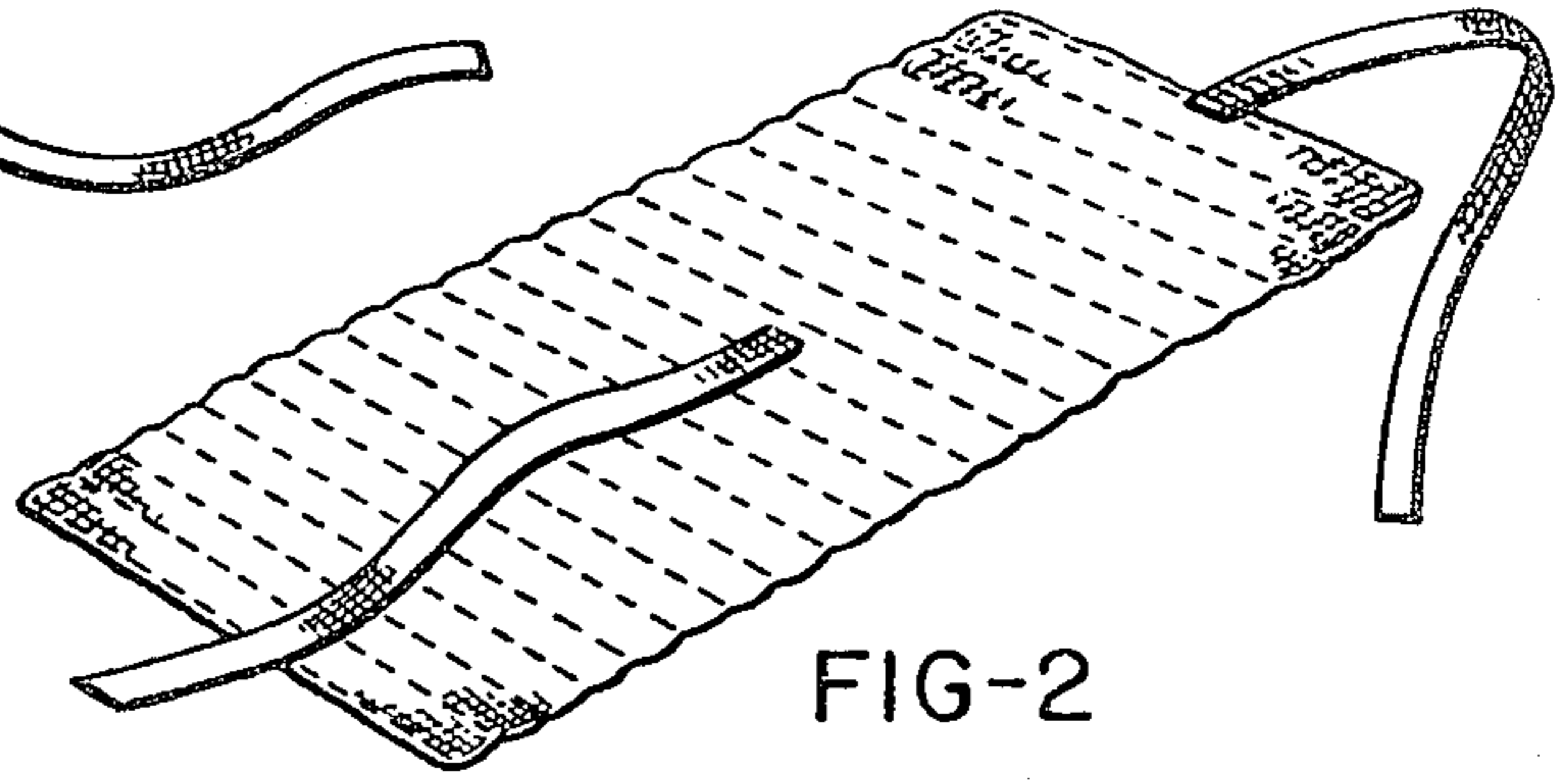


FIG-2

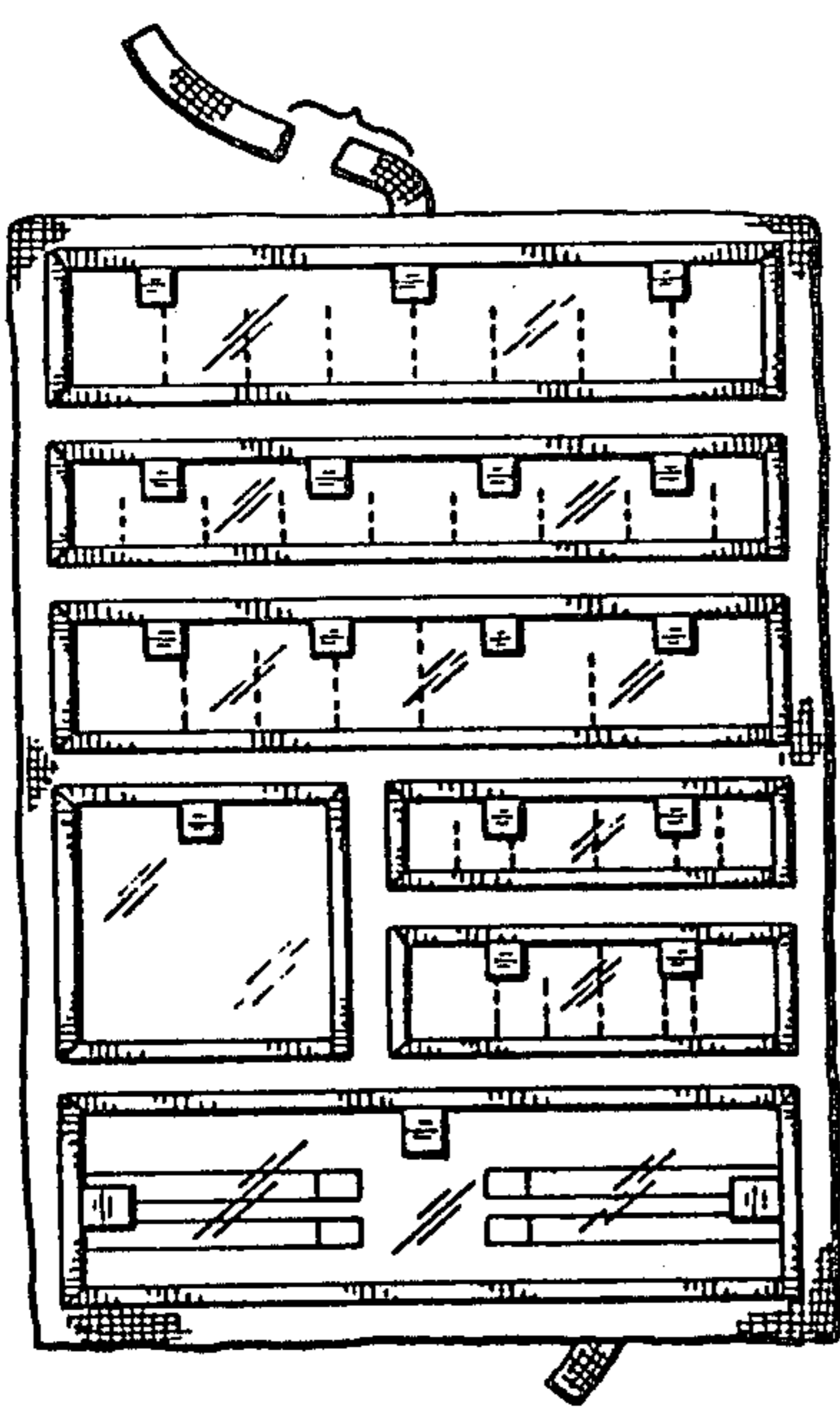


FIG-3

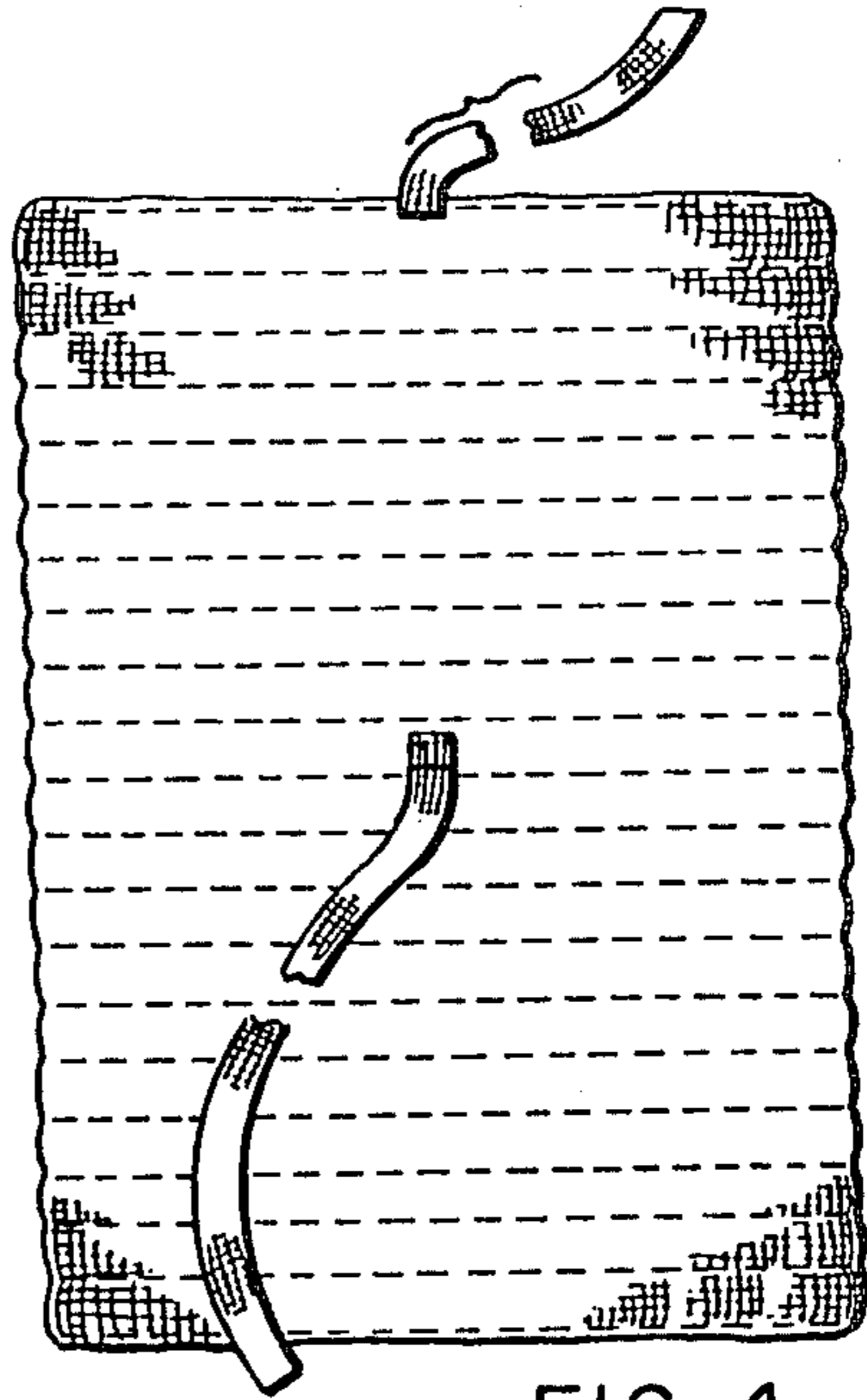


FIG-4

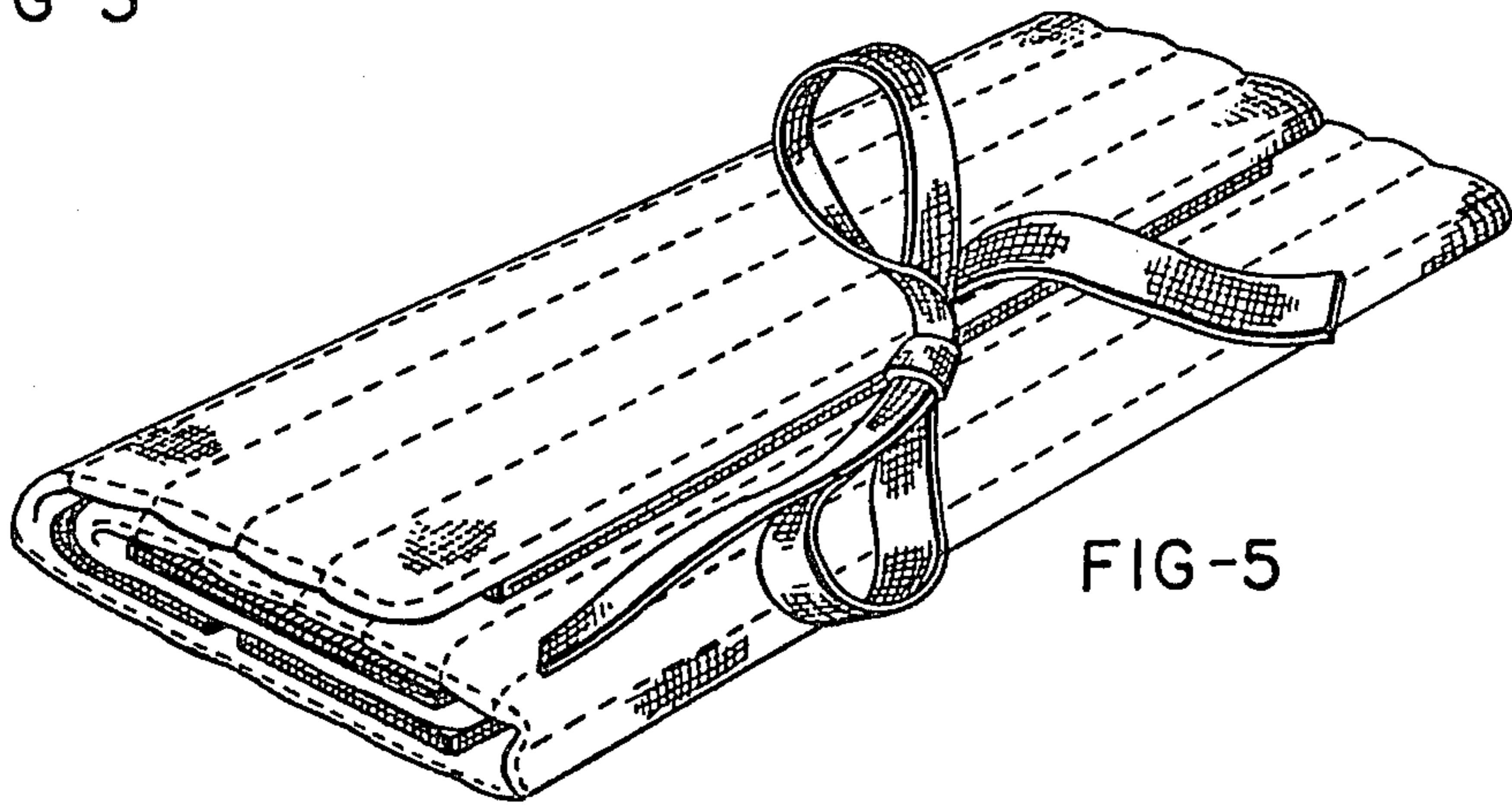


FIG-5

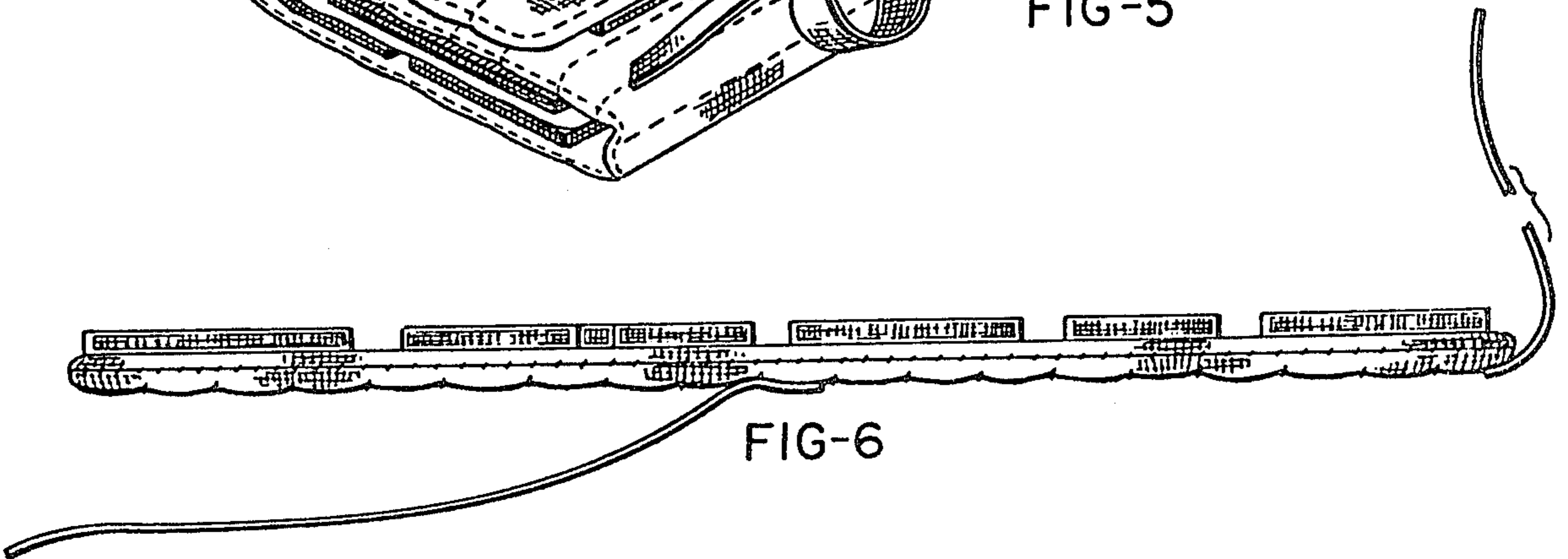


FIG-6