

[54] **BUILDING BLOCK**

[76] Inventors: **John N. Rassias**, 33 SE. Fourth St., Boca Raton, Fla. 33432; **Cecily M. Clark**, 565 Park Ave., New York, N.Y. 10021

[**] Term: **14 Years**

[21] Appl. No.: **428,068**

[22] Filed: **Sep. 29, 1982**

[52] U.S. Cl. **D25/89; D25/91**

[58] Field of Search **D25/80, 86, 89, 91, D25/92, 93, 94; 405/284; 52/233, 314, 316**

[56] **References Cited**

U.S. PATENT DOCUMENTS

D. 159,255 7/1950 Decker, Sr. et al. D25/91
3,132,447 5/1964 Hosbein D25/80 X

FOREIGN PATENT DOCUMENTS

187290 10/1956 Austria 52/314

Primary Examiner—A. Hugo Word

Attorney, Agent, or Firm—Buell, Blenko, Ziesenheim & Beck

[57] **CLAIM**

The ornamental design for a building block, as shown.

DESCRIPTION

FIG. 1 is an isometric view of a building block according to the invention;

FIG. 2 is a side elevation of a building block according to the invention;

FIG. 3 is a top plan view of a building block according to the invention; and

FIG. 4 is an end elevation of a building block according to the invention.

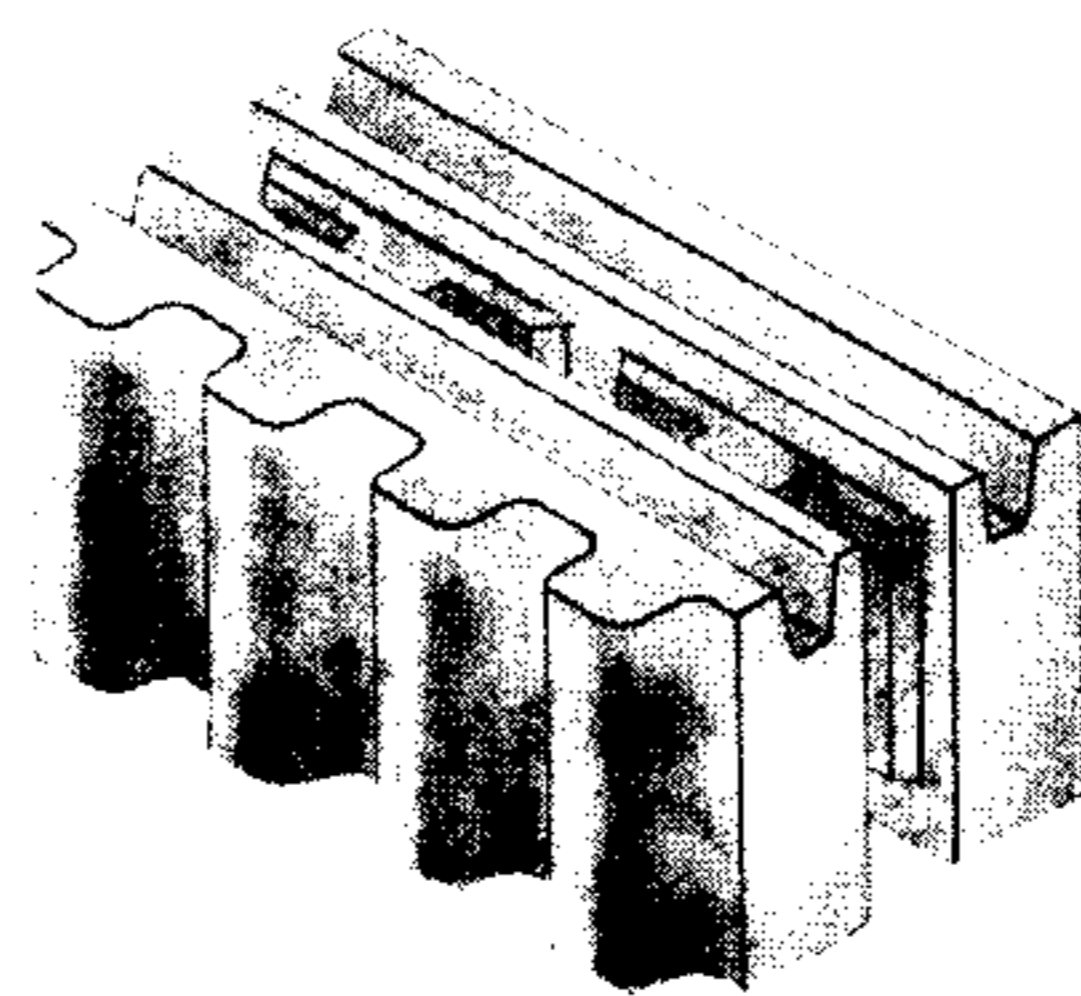


Fig. 1.

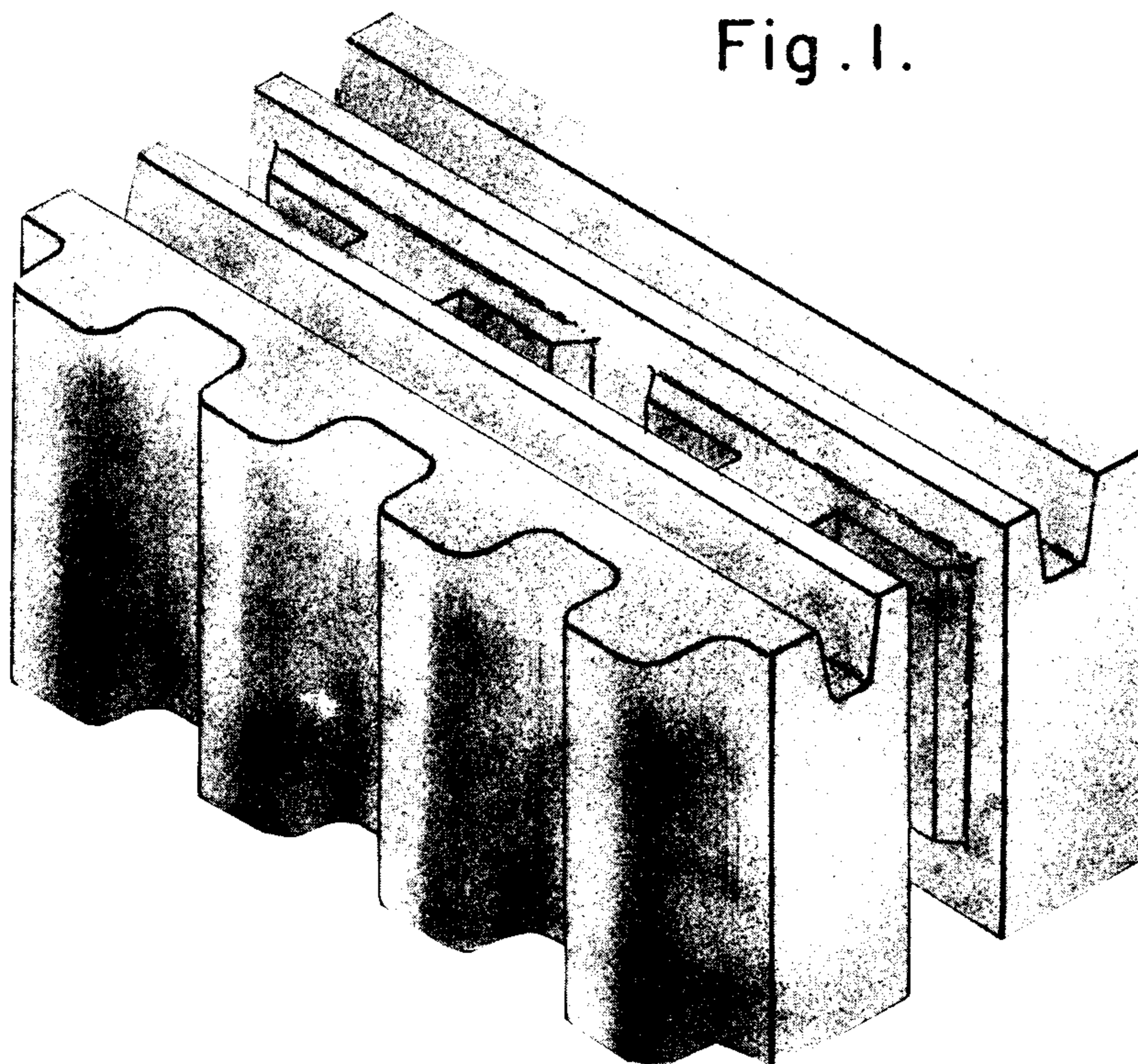


Fig. 2.

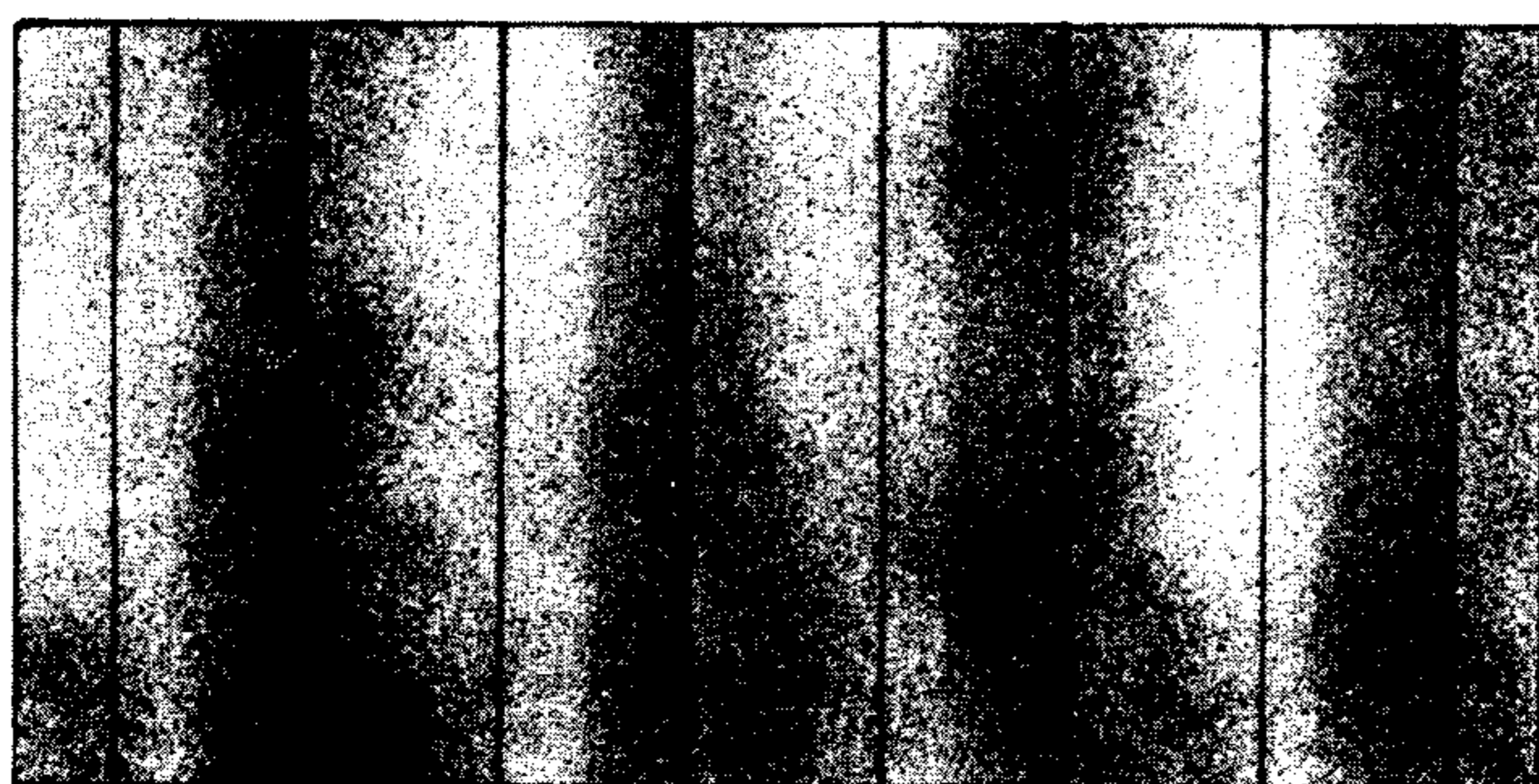


Fig. 4.

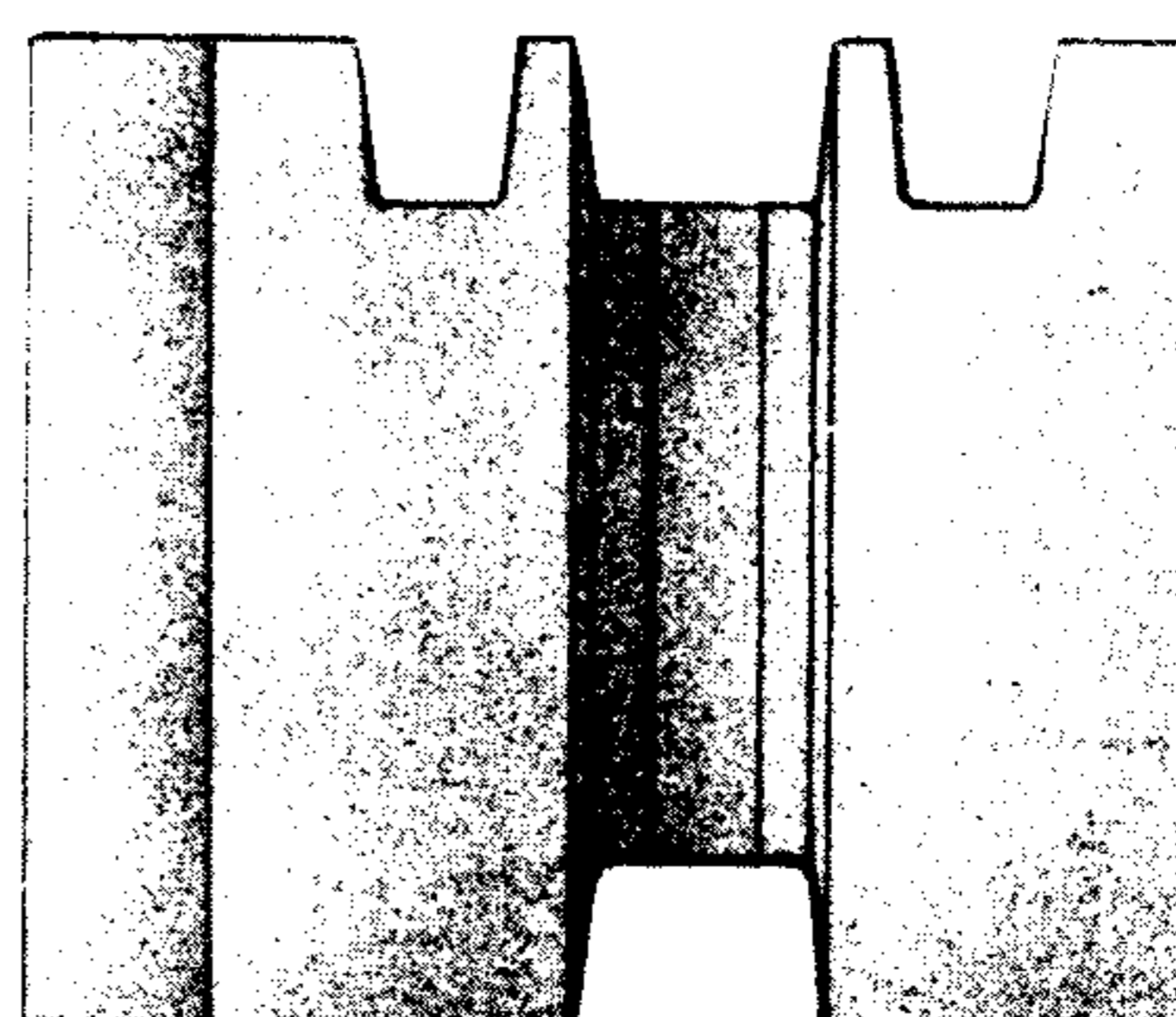


Fig. 3.

