

[54] BUILDING BLOCK

[76] Inventors: John N. Rassias, 33 SE. Fourth St., Boca Raton, Fla. 33432; Cecily M. Clark, 565 Park Ave., New York, N.Y. 10021

[**] Term: 14 Years

[21] Appl. No.: 428,065

[22] Filed: Sep. 29, 1982

[52] U.S. Cl. D25/89; D25/91

[58] Field of Search D25/80, 86, 89, 91-94; 405/284; 52/233, 314, 316

[56] References Cited

U.S. PATENT DOCUMENTS

- D. 159,255 7/1950 Decker, Sr. et al. D25/91
- D. 164,625 9/1951 Clukie D25/89

OTHER PUBLICATIONS

Concrete Masonry Pictorial, vol. 34, No. 1, c. 1978, p. 6, blocks at lower right.

Primary Examiner—A. Hugo Word
Attorney, Agent, or Firm—Buell, Blenko, Ziesenheim & Beck

[57] CLAIM

The ornamental design for a building block, as shown.

DESCRIPTION

FIG. 1 is an isometric view of a building block according to the invention;
FIG. 2 is a side elevation of a building block according to the invention;
FIG. 3 is a top plan view of a building block according to the invention; and
FIG. 4 is an end elevation of a building block according to the invention.

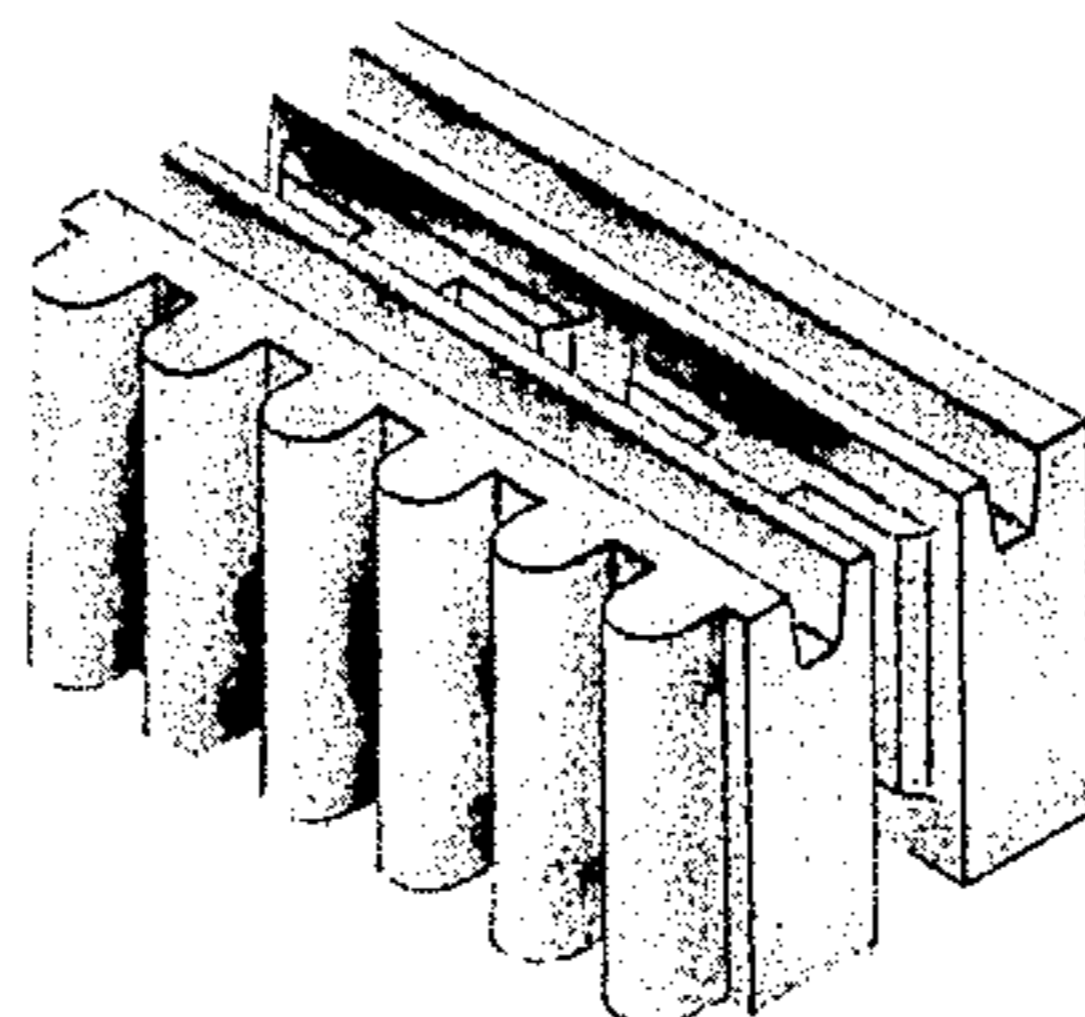


Fig. 1.

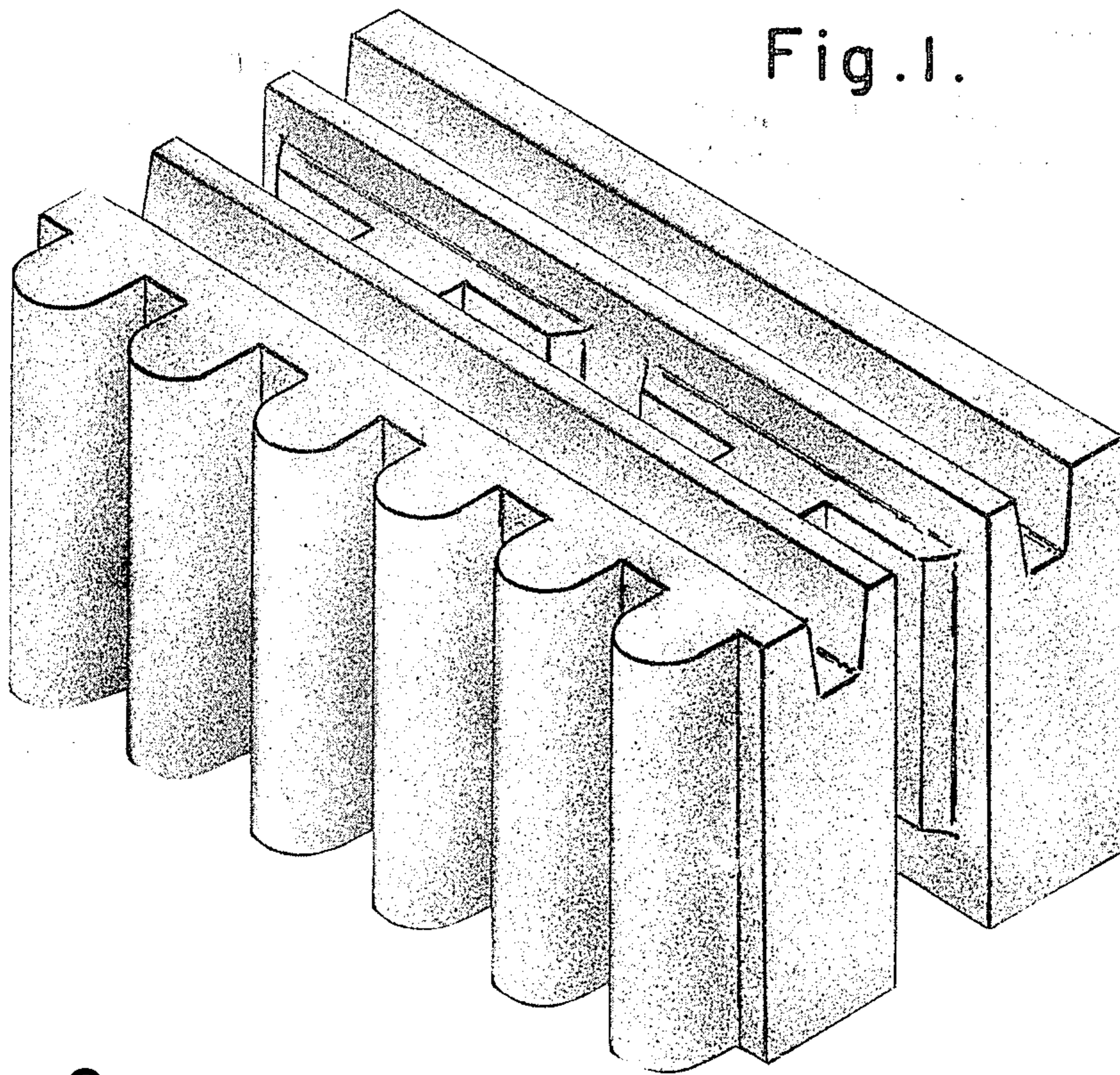


Fig. 2.

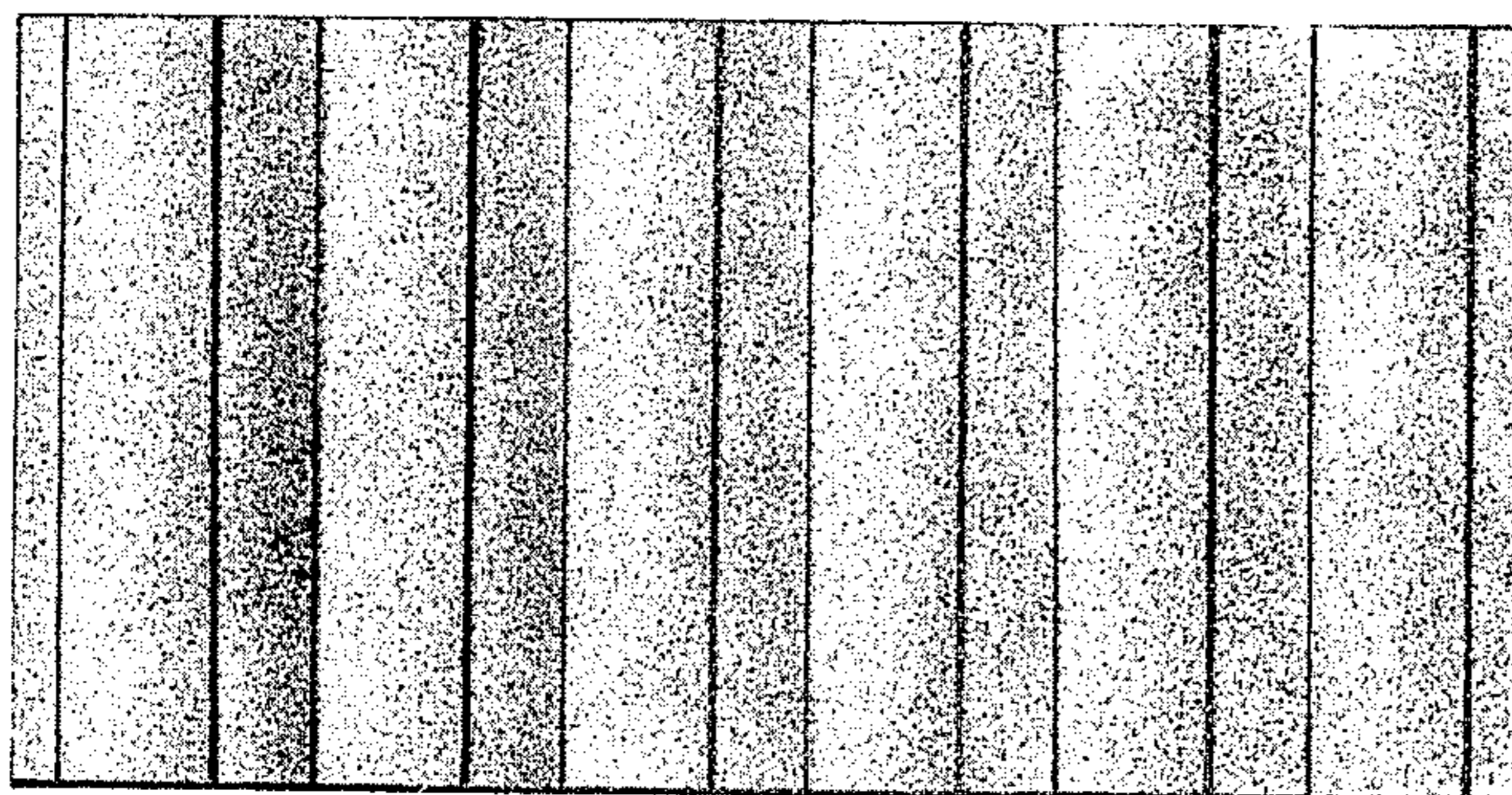


Fig. 4.

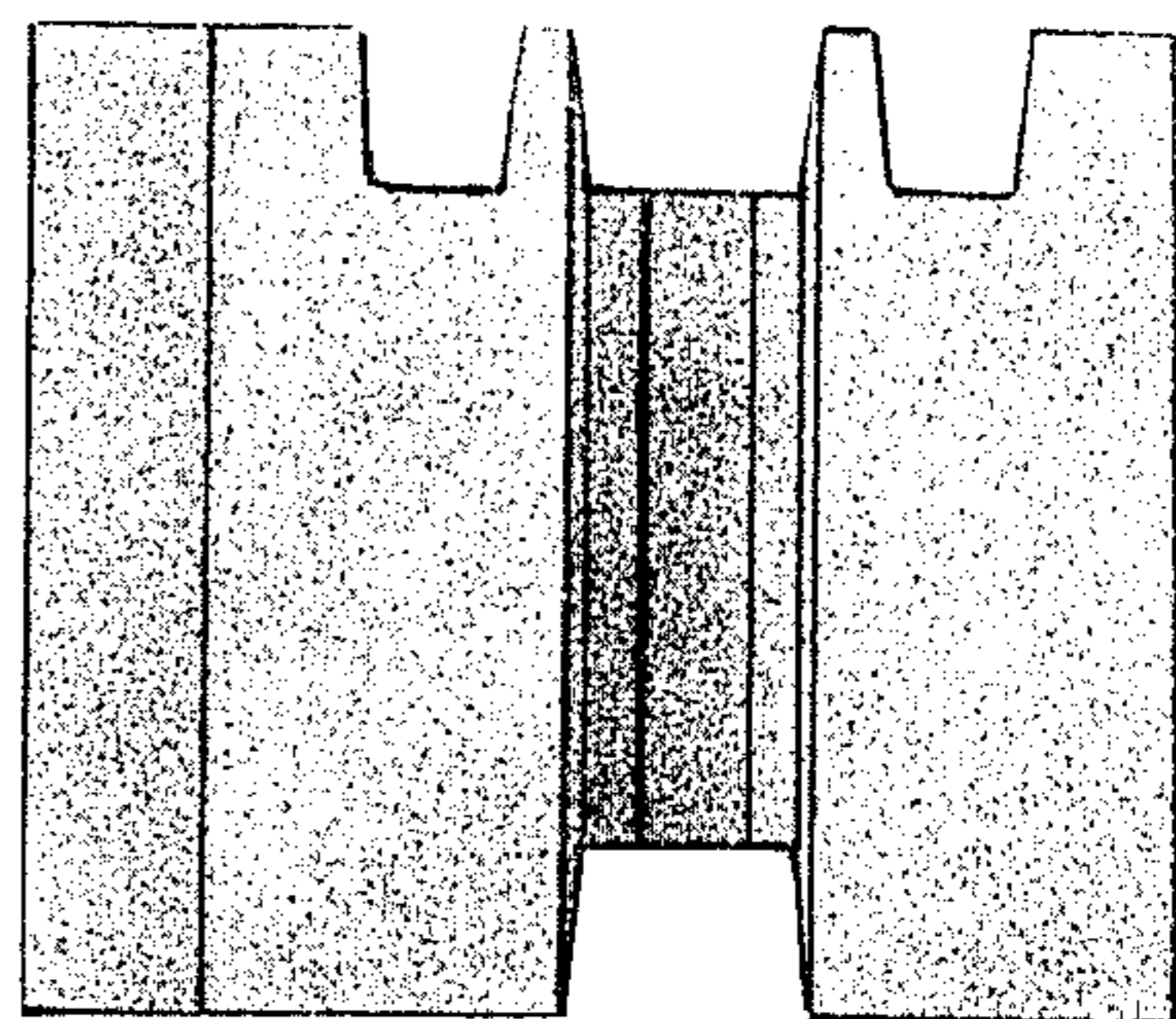


Fig. 3.

