

[54] CEILING AIR DIFFUSER OR THE LIKE
 [75] Inventor: Robert W. Walker, Loveland, Colo.
 [73] Assignee: Walker Manufacturing Company, Fort Collins, Colo.
 [**] Term: 14 Years
 [21] Appl. No.: 350,880
 [22] Filed: Feb. 22, 1982
 [52] U.S. Cl. D23/115; D23/151
 [58] Field of Search D23/112, 114, 115, 151, D23/163; 98/40 D, 121 R

3,877,356 4/1975 Burns 98/40 D
 3,906,846 9/1975 Day 98/40 D
 3,937,133 2/1976 Bertin et al. 98/121 R X
 4,020,752 5/1977 Stephan 98/40 D
 4,080,882 3/1978 Burns 98/40 D

Primary Examiner—James R. Largen
 Attorney, Agent, or Firm—Hugh H. Drake

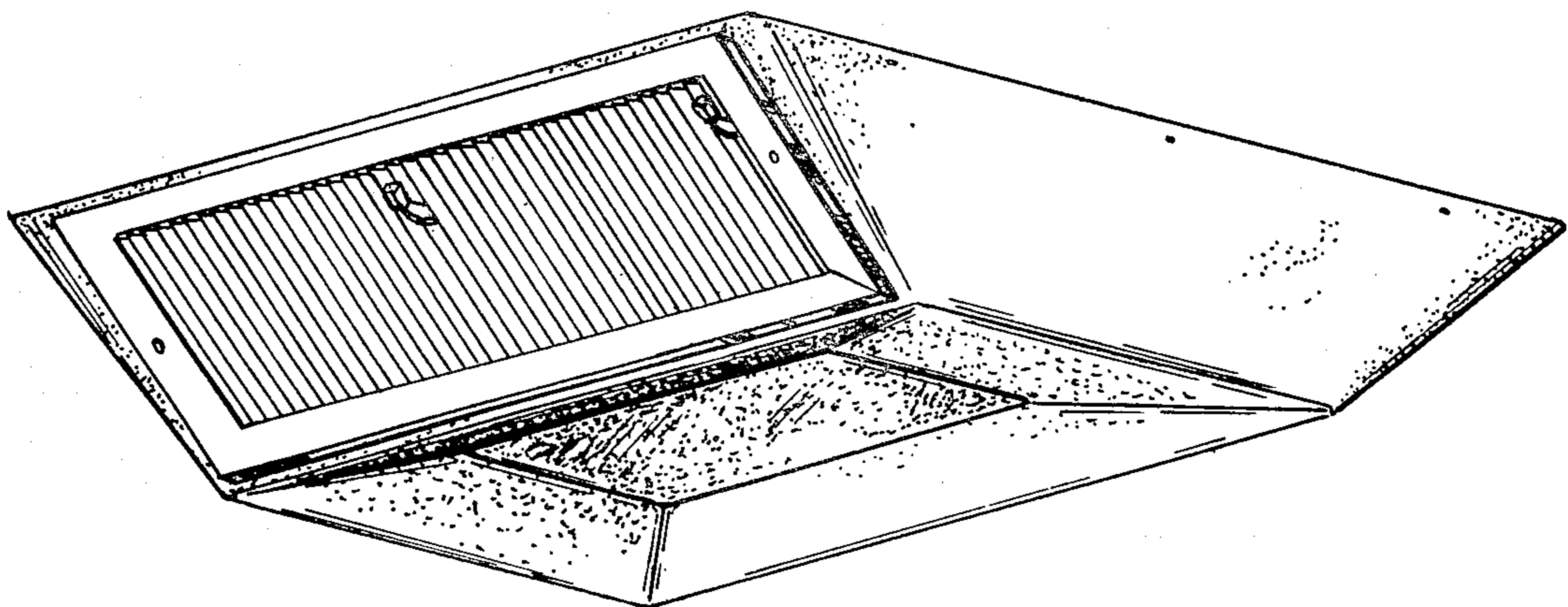
[57] CLAIM

The ornamental design for a ceiling air diffuser or the like, as shown and described.

DESCRIPTION

FIG. 1 is an isometric view of a ceiling air diffuser or the like embodying my new design;
 FIG. 2 is a bottom plan view thereof;
 FIG. 3 is an elevational view taken from one side thereof, the opposite side being the same as the side shown;
 FIG. 4 is an elevational view taken from one end thereof, the opposite end being the same as the end shown; and
 FIG. 5 is a top plan view thereof.

[56] References Cited
 U.S. PATENT DOCUMENTS
 D. 166,322 4/1952 Kurth D23/115
 D. 171,505 2/1954 Krueger D23/115
 D. 179,847 3/1957 Griner D23/115
 D. 225,010 10/1972 Steiner D23/151
 D. 225,011 10/1972 Steiner D23/151
 2,511,490 6/1950 Bauer 98/121 R



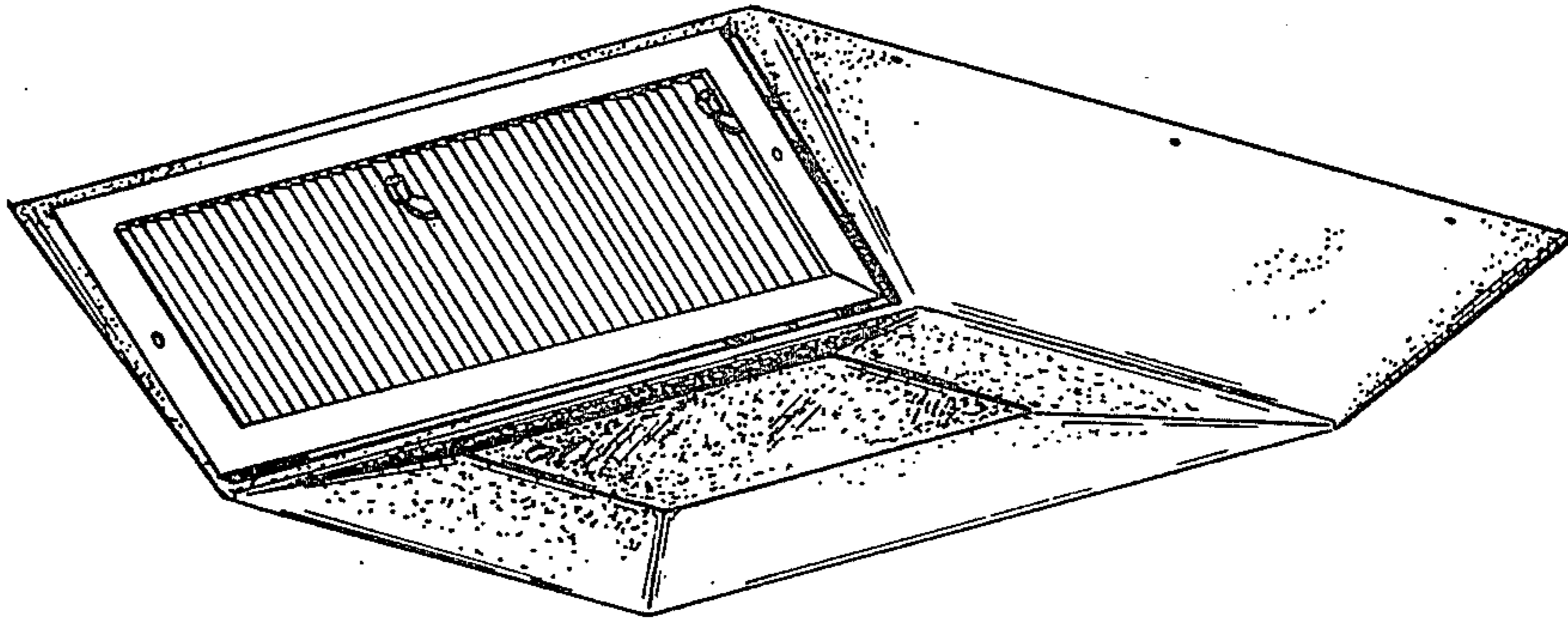


FIG. 1

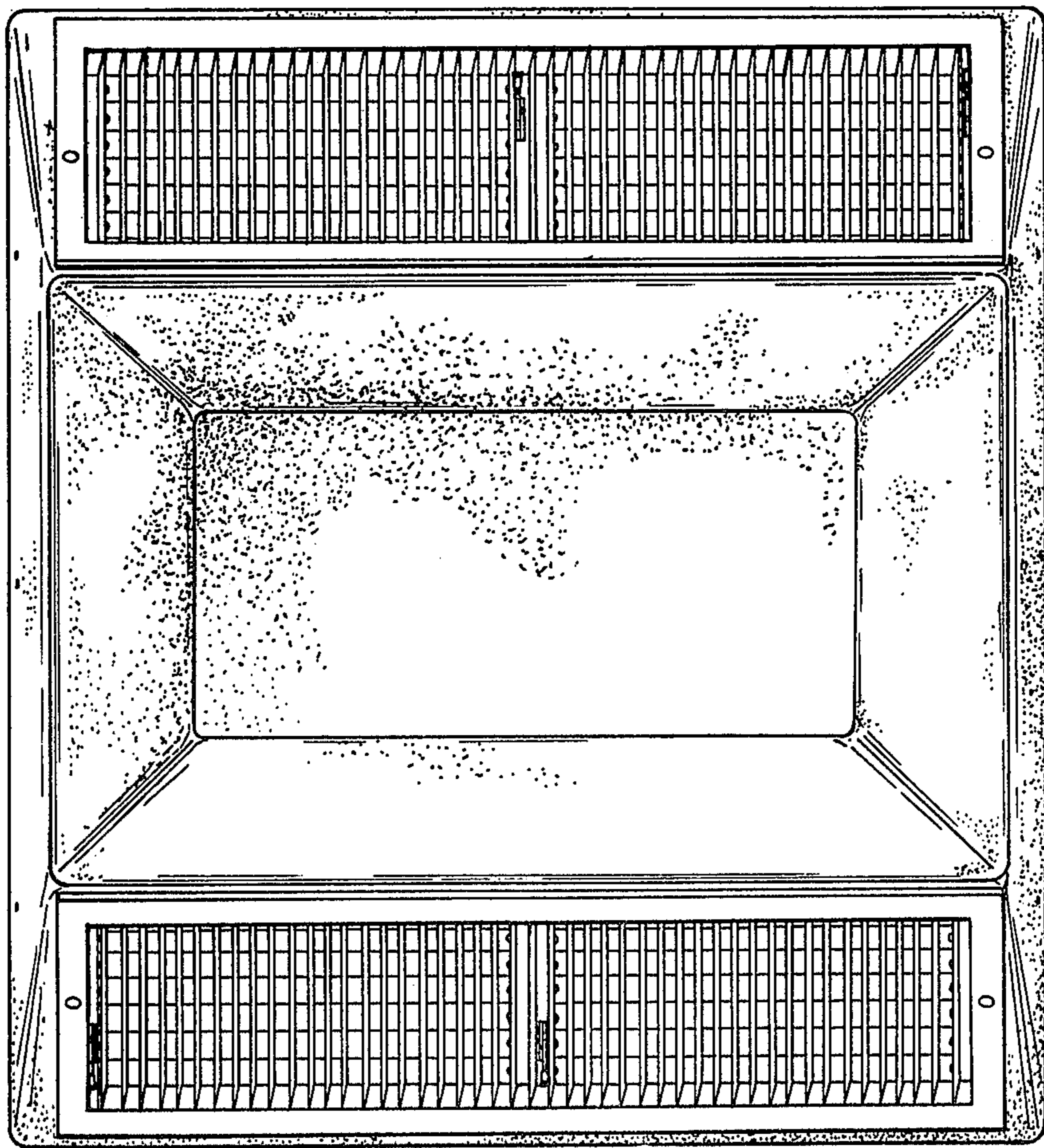


FIG. 2

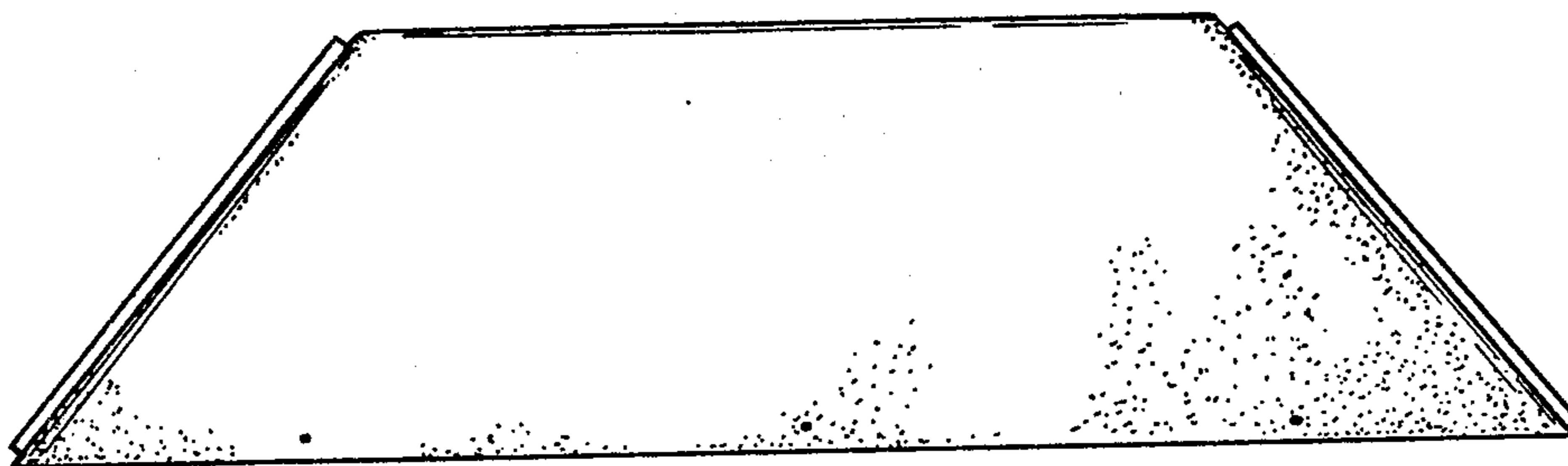


FIG. 3

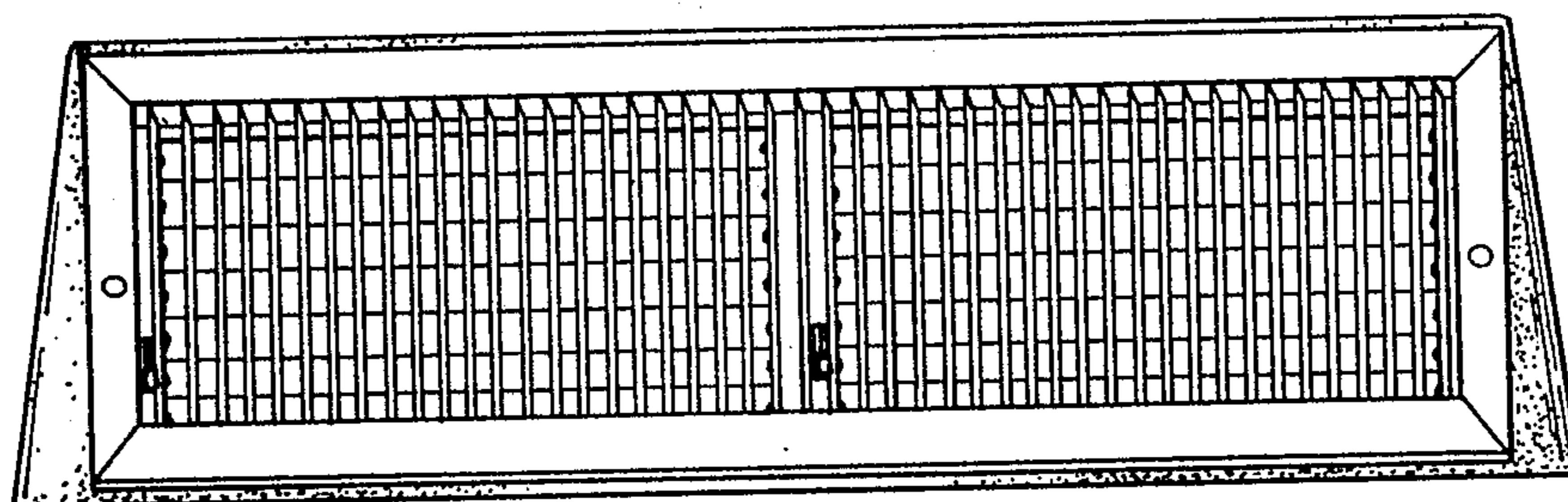


FIG. 4

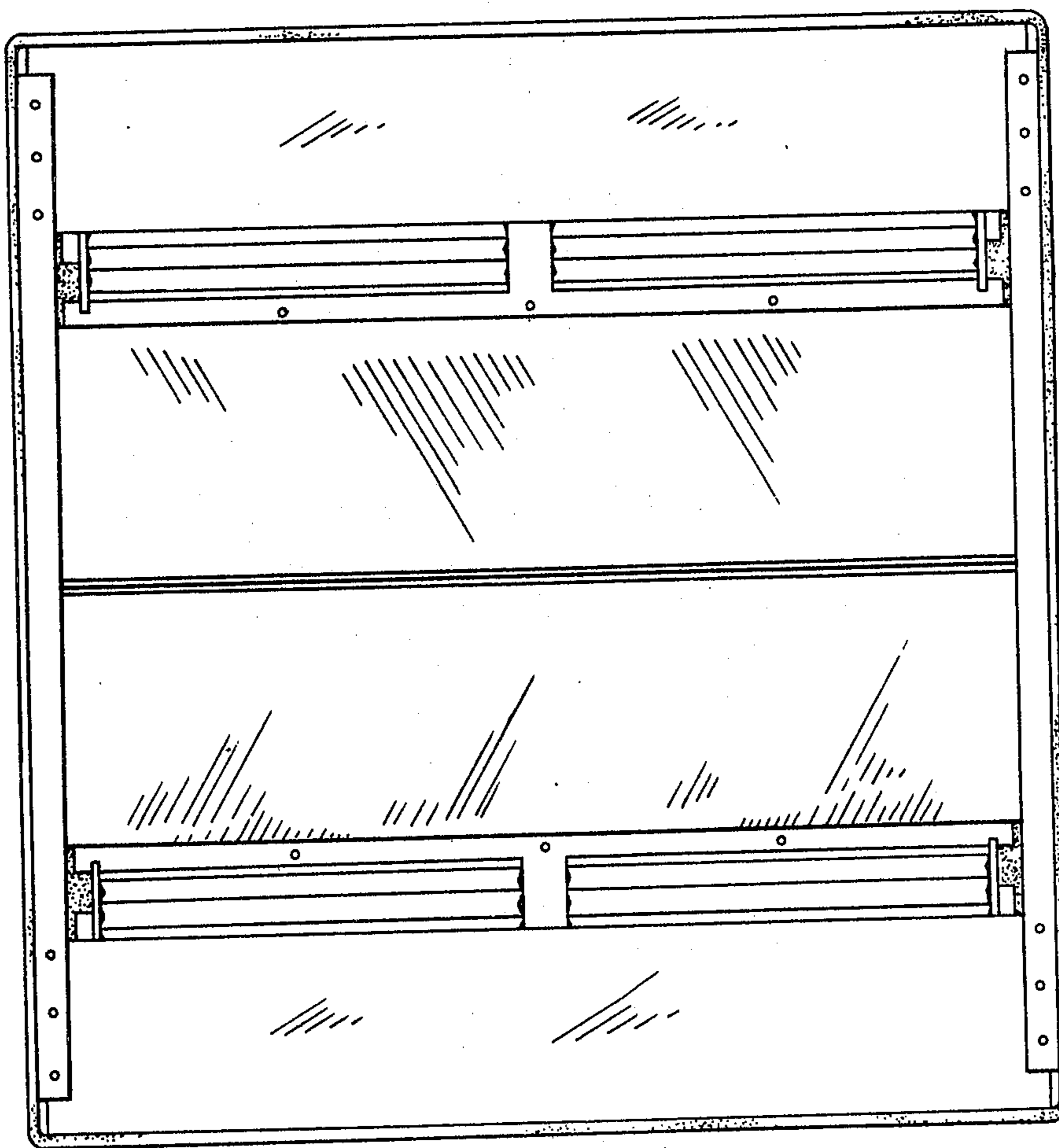


FIG. 5