

[54] HANDLE SET FOR A SANITARY FITTING OR SIMILAR ARTICLE

[75] Inventors: Henry M. Stairs, Jr., Neshanic, N.J.; James E. Neimann, Louisville, Ky.

[73] Assignee: American Standard Inc., New York, N.Y.

[\*\*] Term: 14 Years

[21] Appl. No.: 383,914

[22] Filed: Jun. 1, 1982

[52] U.S. Cl. .... D23/29

[58] Field of Search ..... D23/23-32; D8/307, 308, 310, 311, 312, DIG. 2, DIG. 3, DIG. 10; 4/191, 192; 16/110, 118, 121, DIG. 12, DIG. 30

[56] References Cited

U.S. PATENT DOCUMENTS

- D. 237,613 11/1975 Saporito et al. .... D23/25
- D. 258,835 4/1981 Saporito et al. .... D23/25
- D. 265,229 6/1982 Paul ..... D23/25
- D. 265,580 7/1982 Paul ..... D23/25

D. 271,514 11/1983 Paul ..... D23/25  
3,487,496 1/1970 Guyton ..... 16/121

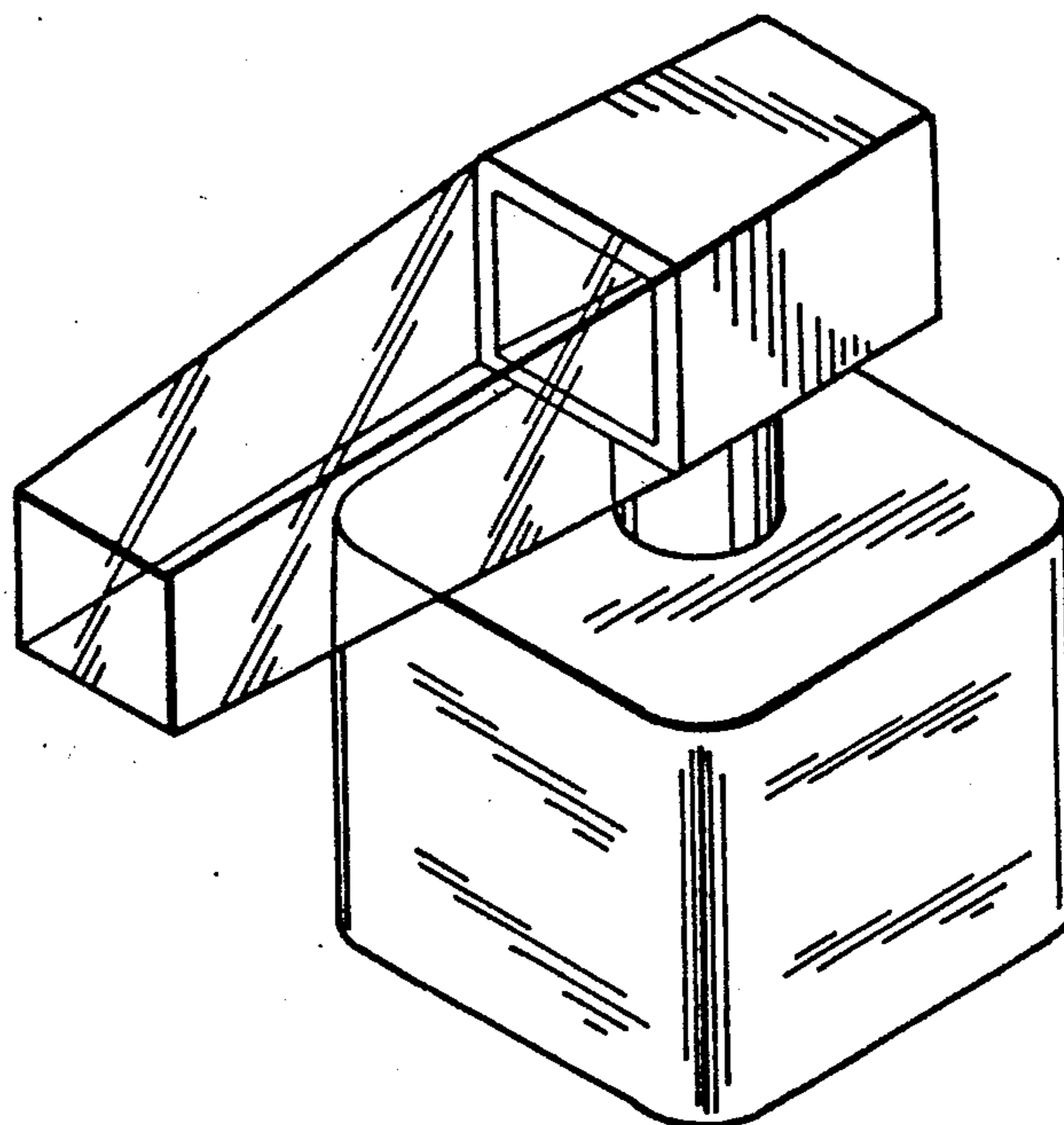
Primary Examiner—James R. Largen  
Attorney, Agent, or Firm—James J. Salerno, Jr.; Robert G. Crooks; John P. Sinnott

[57] CLAIM

The ornamental design for a handle set for a sanitary fitting or similar article, substantially as shown and described.

DESCRIPTION

FIG. 1 is a front elevational view of a handle set for a sanitary fitting embodying my new design;  
FIG. 2 is a top plan view thereof;  
FIG. 3 is a right side elevational view thereof; the left side being a mirror image of the right side shown;  
FIG. 4 is a rear elevational view thereof;  
FIG. 5 is a top perspective view of one handle thereof;  
FIG. 6 is a front elevational view of FIG. 5, the rear being a mirror image of the front shown; and  
FIG. 7 is a left side elevational view of FIG. 5.  
The broken line representation of a spout and base in FIGS. 1 through 4 are for purposes of illustration only.



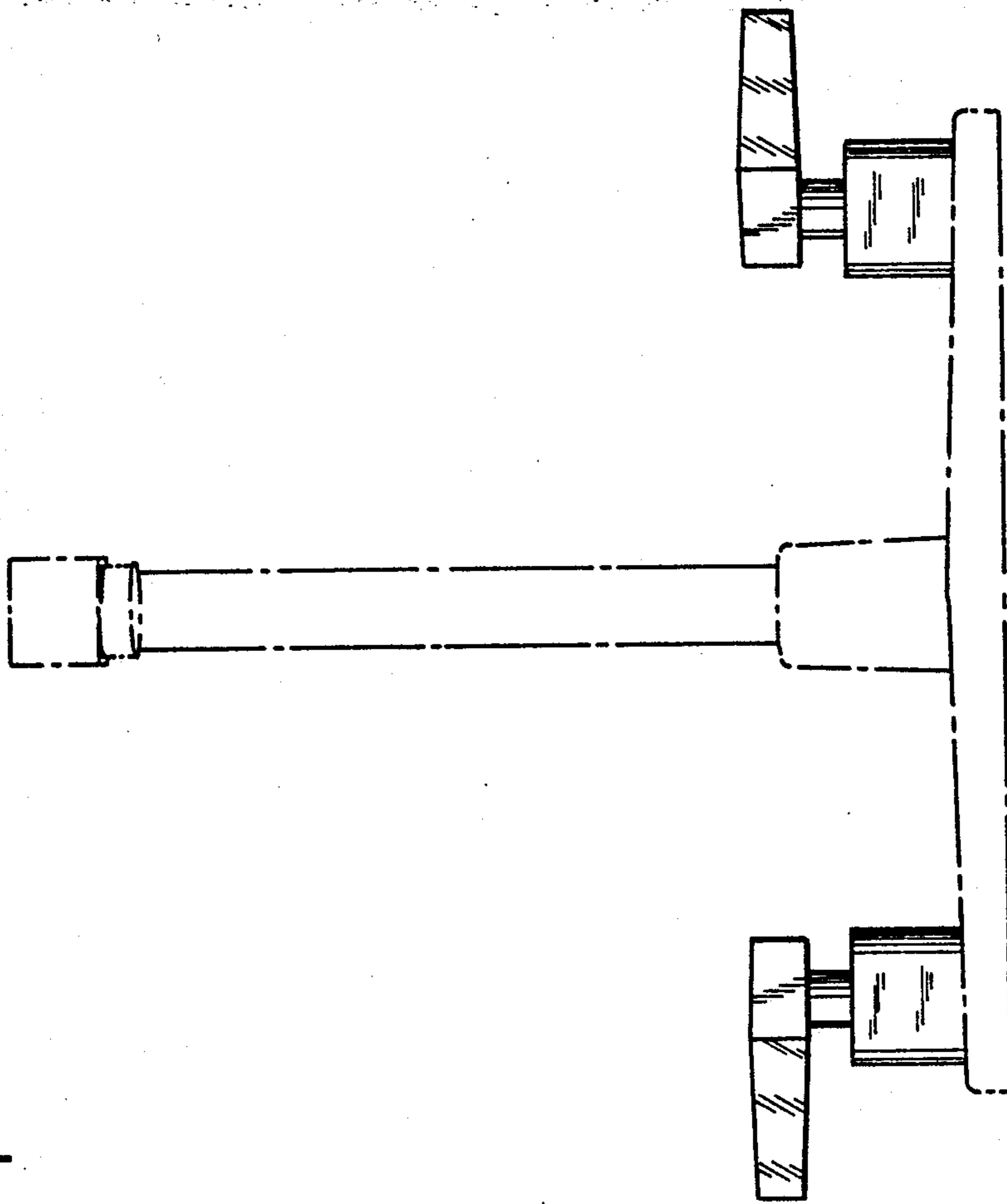
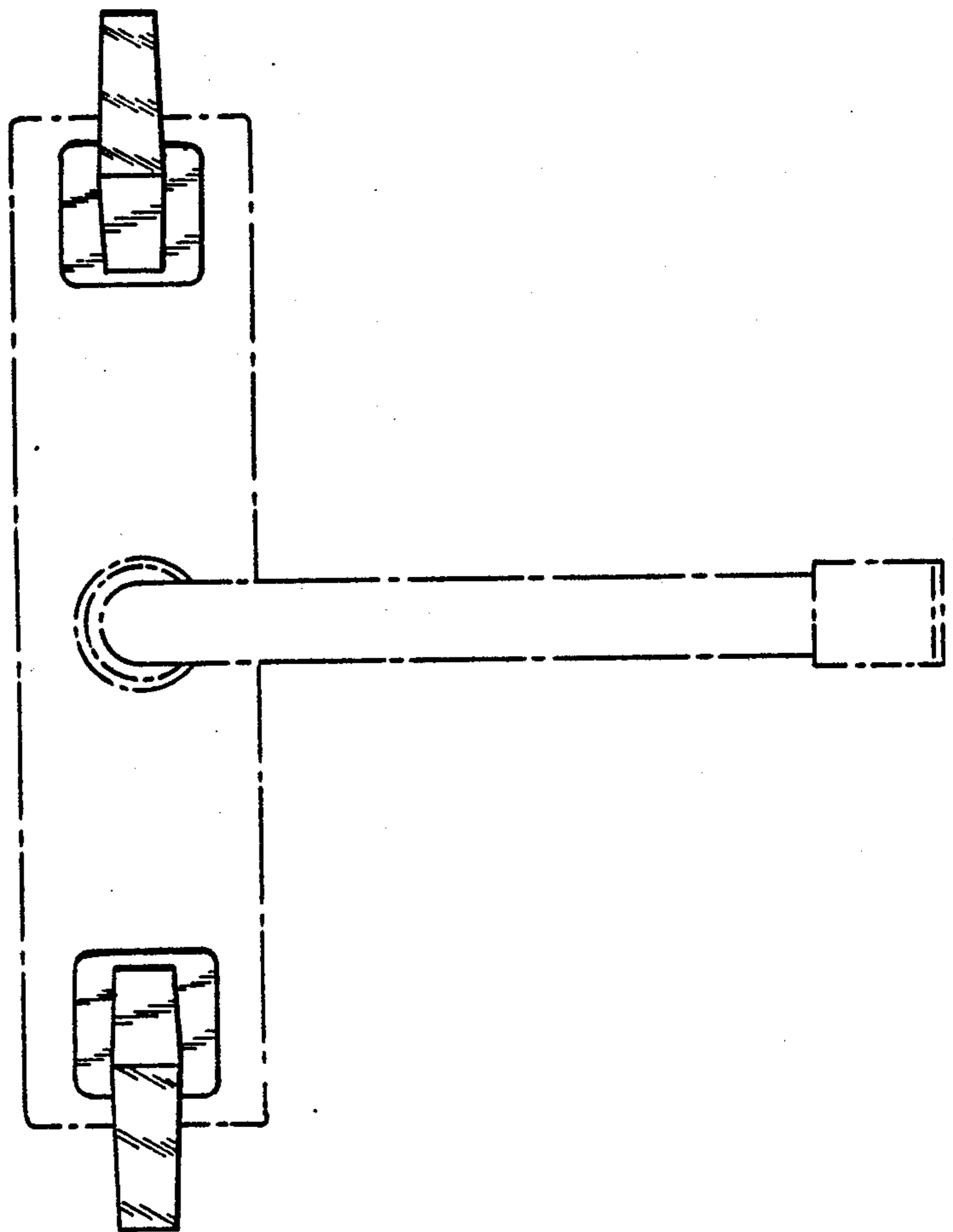


FIG. 1

FIG. 2



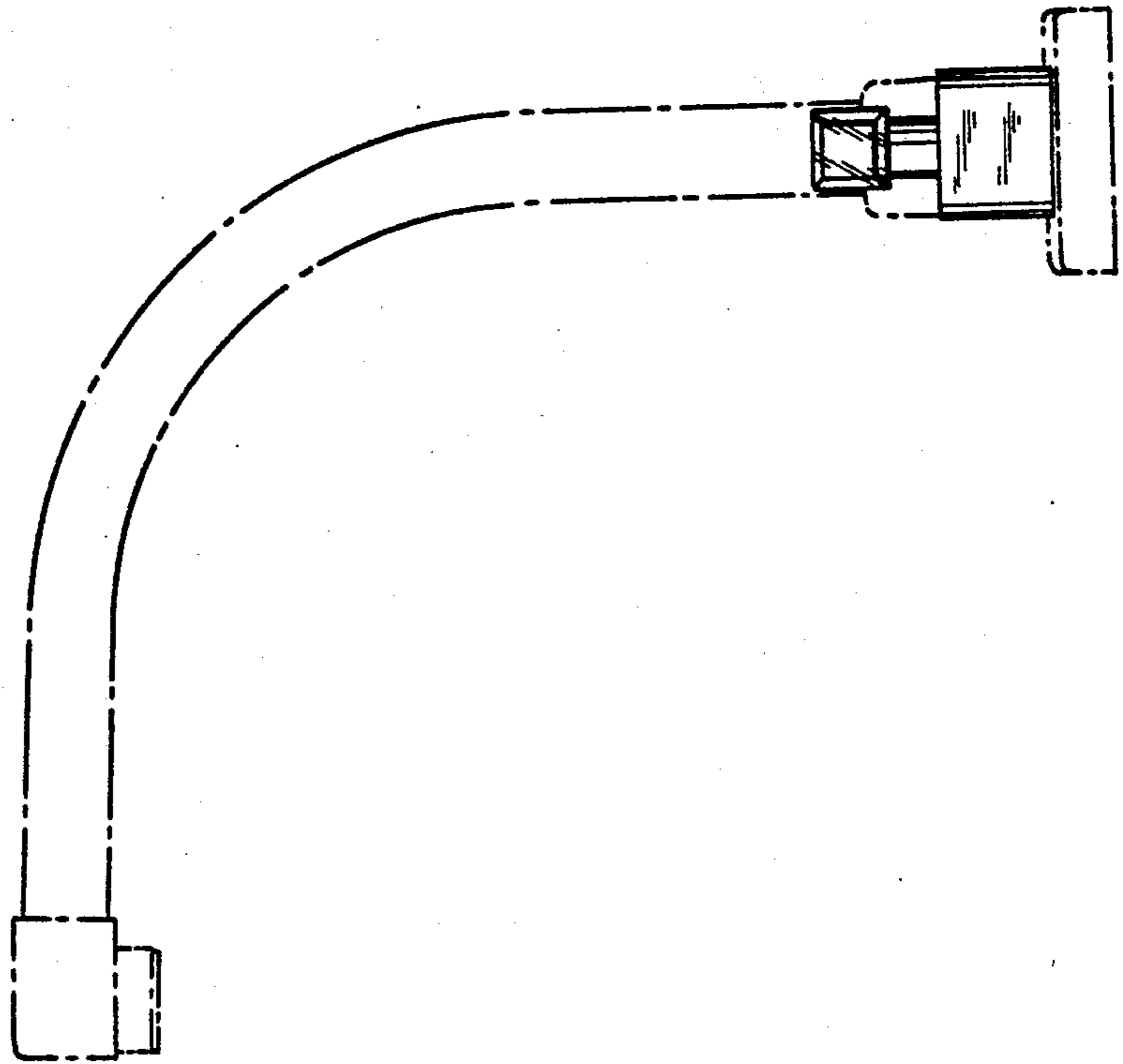
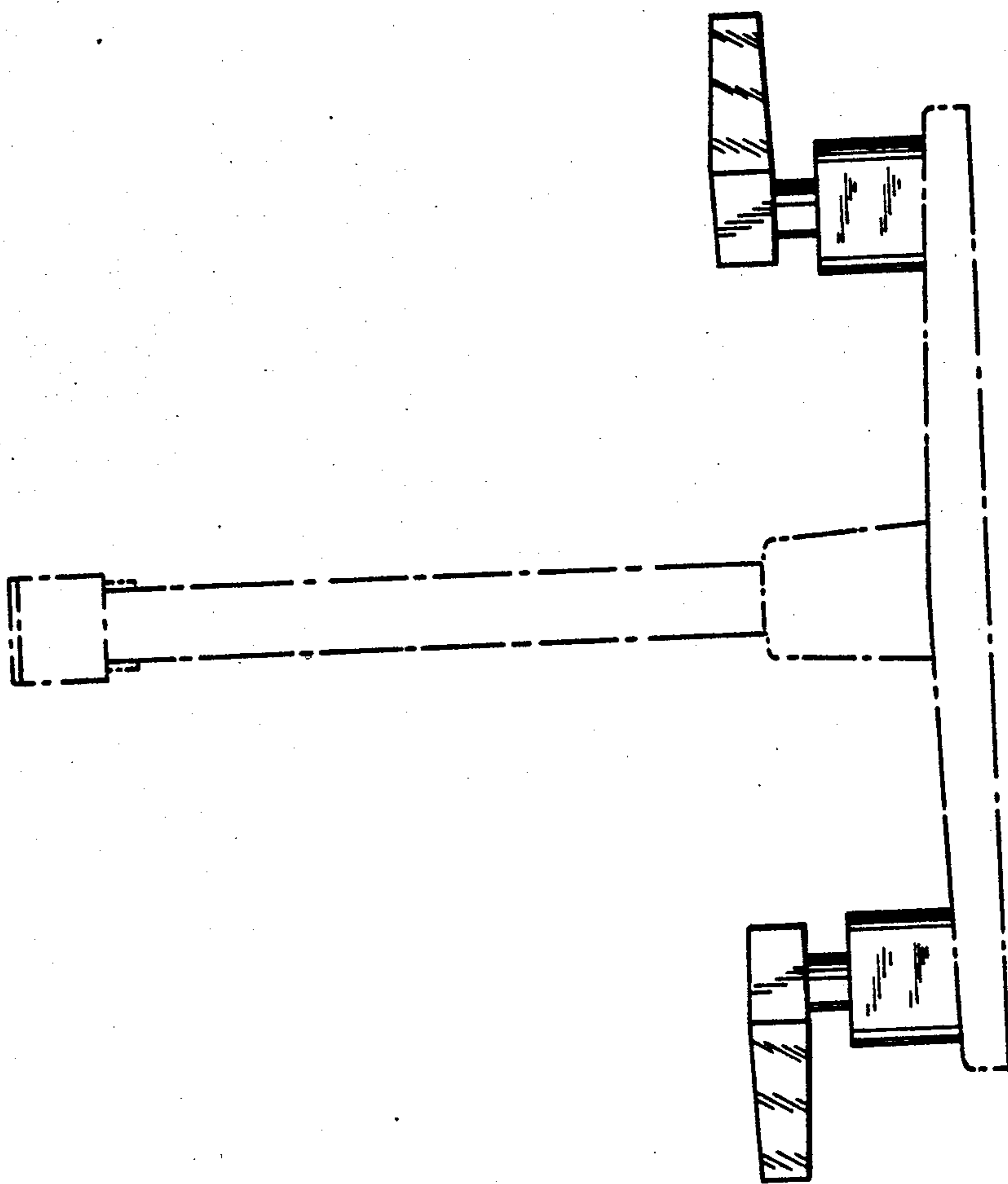


FIG. 3

FIG. 4



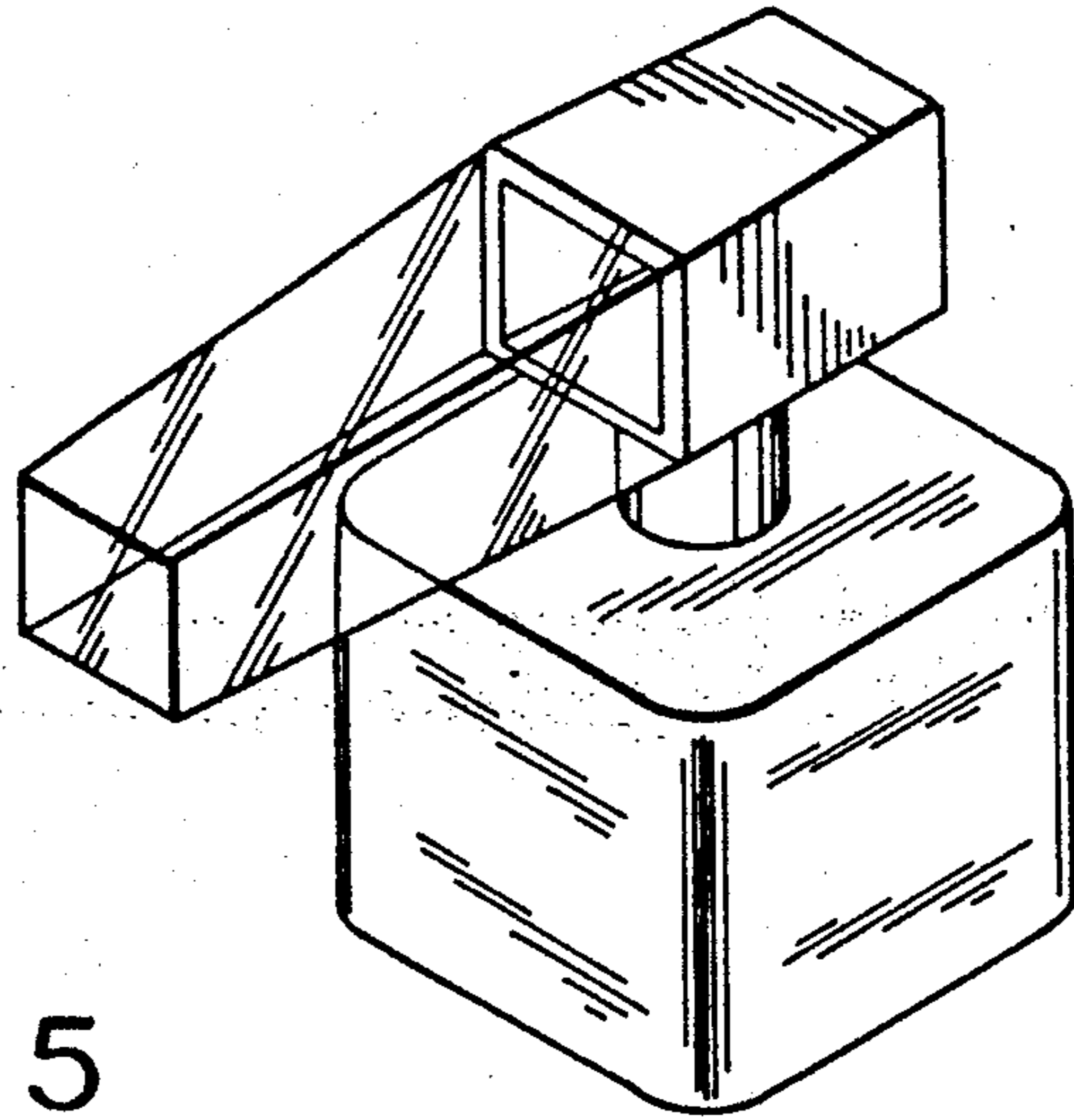


FIG. 5

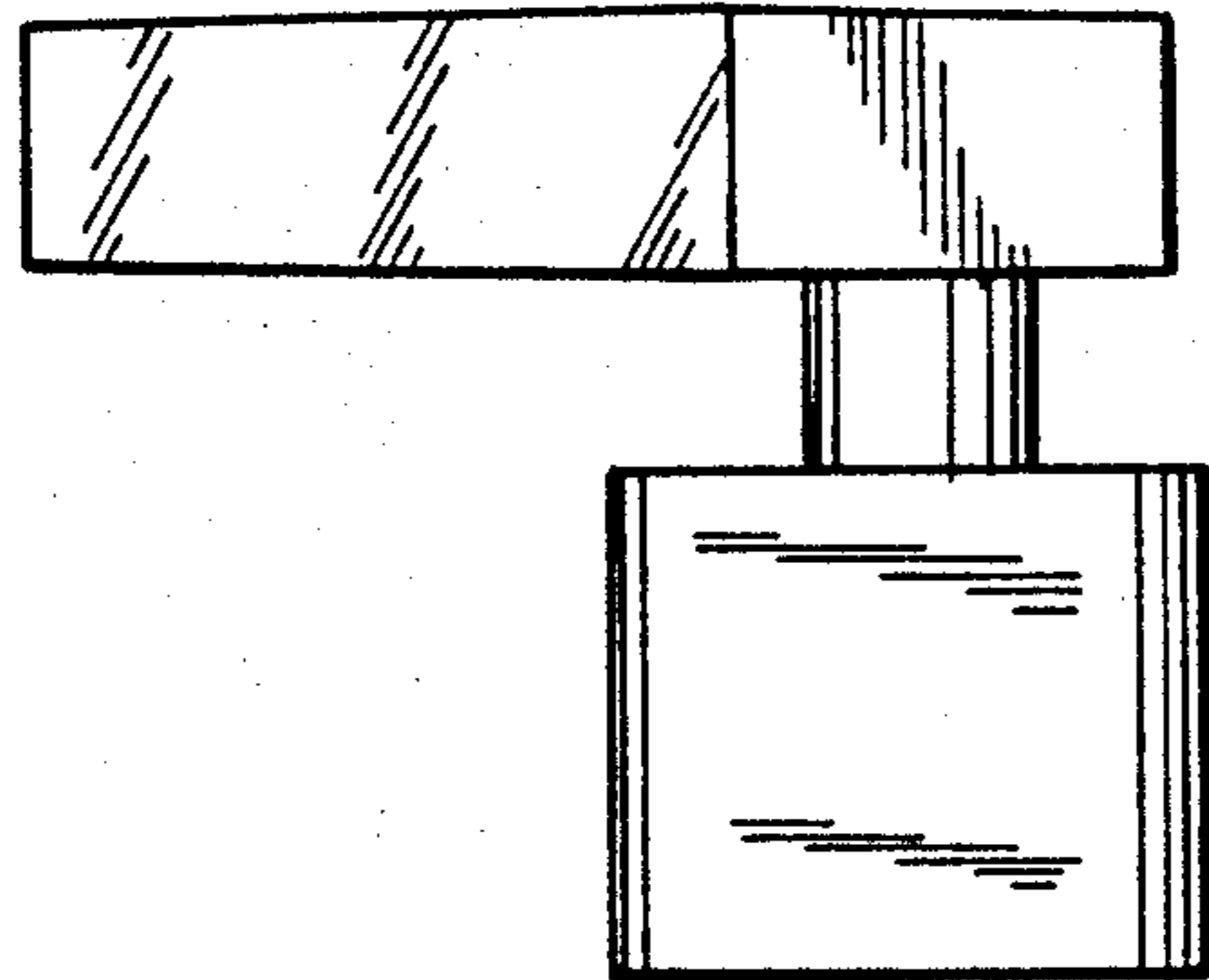


FIG. 6

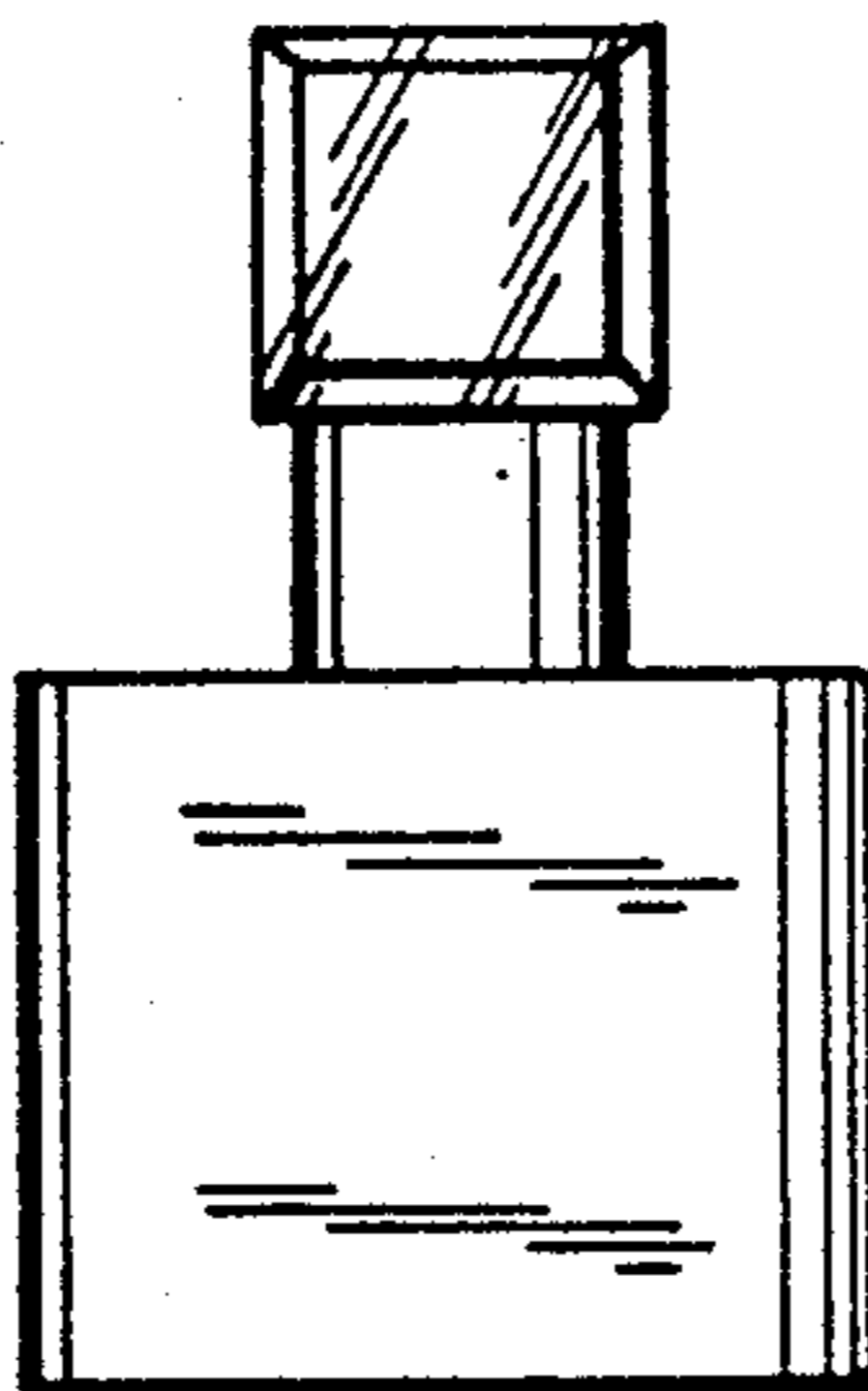


FIG. 7