

[54] AUTOMATIC TEE-UP APPARATUS

[76] Inventor: Toshihiko Oze, 13-4 Negishi
2-chome, Taitoh-ku, Tokyo, Japan

[**] Term: 14 Years

[21] Appl. No.: 56,714

[22] Filed: Jul. 11, 1979

[52] U.S. Cl. D21/208

[58] Field of Search D21/208; 273/201

[56] References Cited

U.S. PATENT DOCUMENTS

- 1,937,180 11/1933 Young 273/201
- 3,458,204 7/1969 Wilson 273/201

FOREIGN PATENT DOCUMENTS

1073545 6/1967 United Kingdom 273/201

Primary Examiner—Melvin B. Feifer
Attorney, Agent, or Firm—Wyatt, Gerber, Shoup,
Scobey & Badie

[57] CLAIM

The ornamental design for an automatic tee-up apparatus, as shown.

DESCRIPTION

FIG. 1 is a perspective view of an automatic tee-up apparatus, showing my new design; and FIG. 2 is a top plan view thereof.

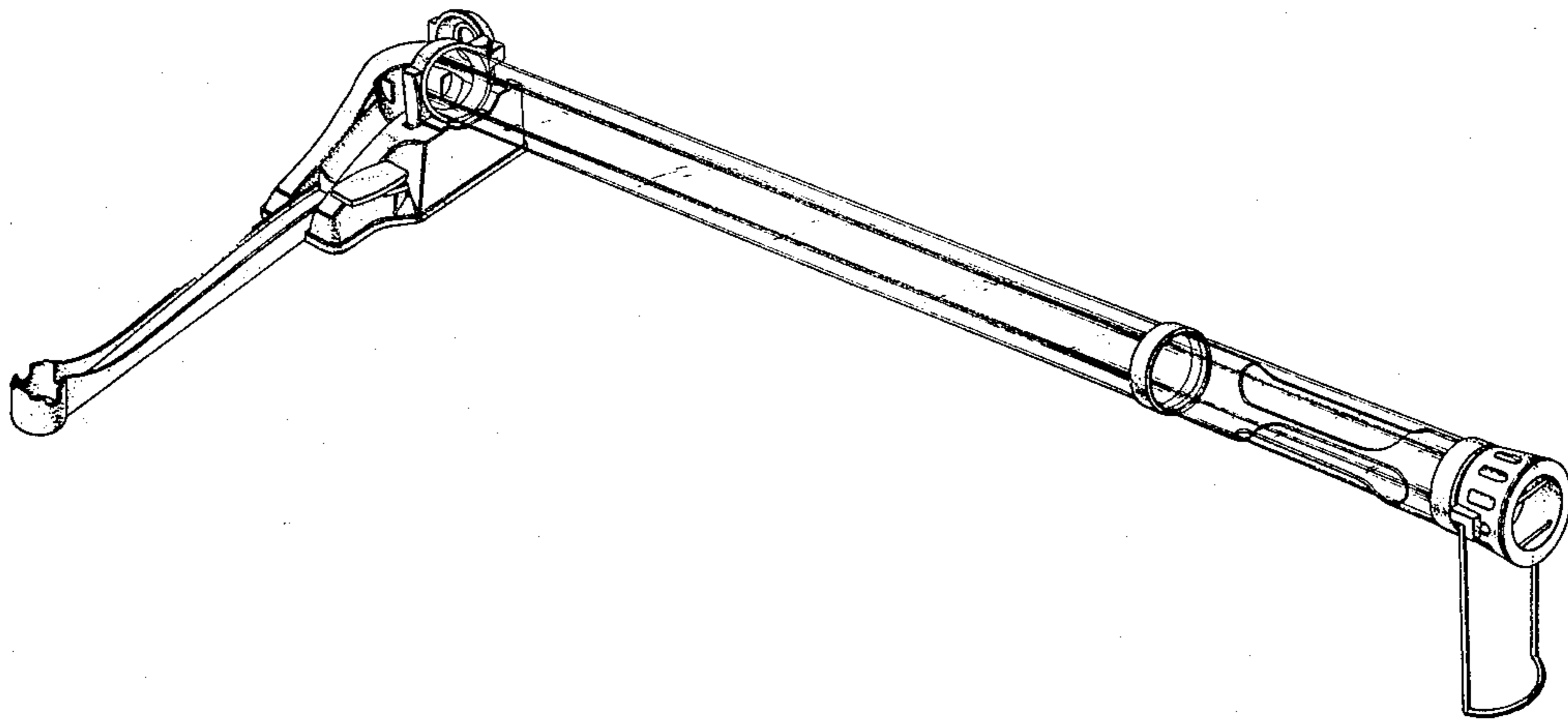


FIG-2

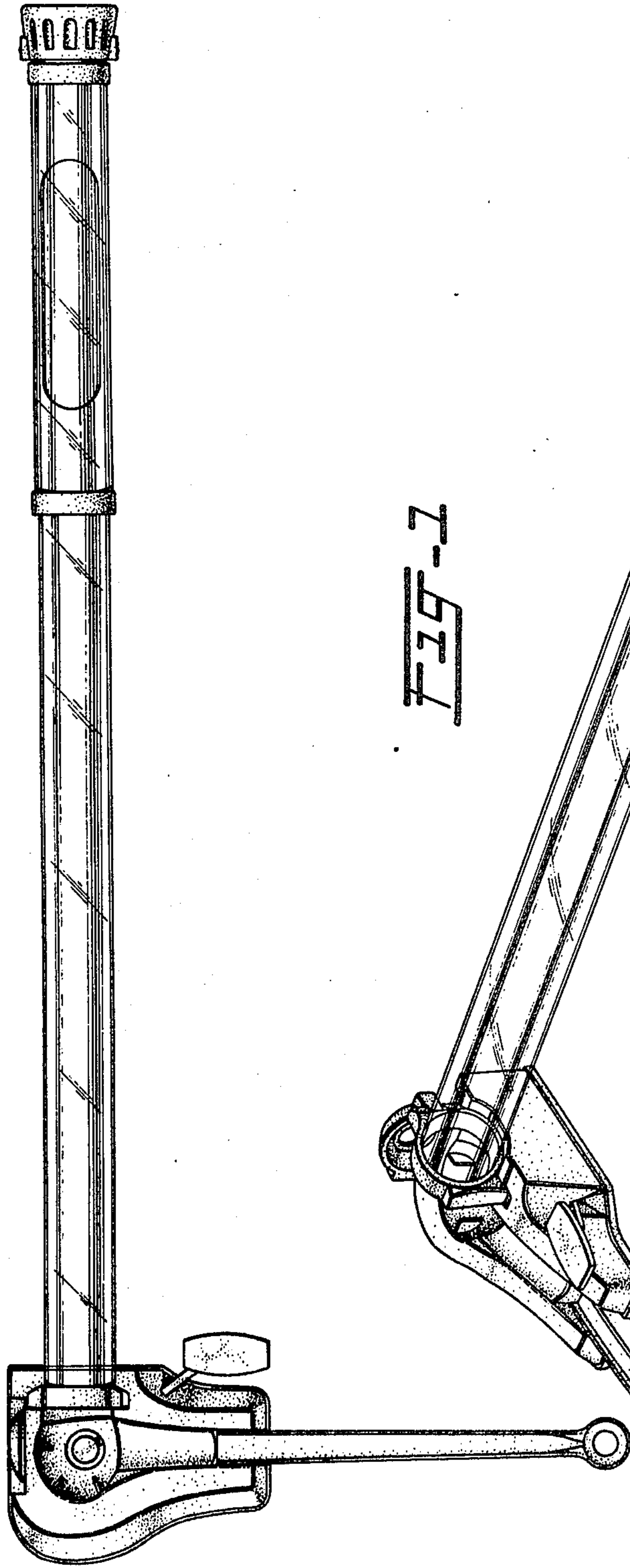


FIG-1

