

[54] EXERCISE DEVICE

[76] Inventor: Clement G. Eischen, Sr., 601 NE. 167th Pl., Portland, Oreg. 97230

[\*\*] Term: 14 Years

[21] Appl. No.: 394,421

[22] Filed: Jul. 1, 1982

[52] U.S. Cl. .... D21/191

[58] Field of Search ..... D21/191-199; 272/93, 99, 109, 67, 68, 119, 125, 133, 136, 143, 145, 116, 141, 142

[56] References Cited

U.S. PATENT DOCUMENTS

D. 263,613	3/1982	Henry	.....	D21/198
D. 270,262	8/1983	Rembe	.....	D21/198
1,353,938	9/1920	Schurr	.....	272/68

Primary Examiner—Charles A. Rademaker  
Attorney, Agent, or Firm—Kolisch, Hartwell, Dickinson & Anderson

[57] CLAIM

The ornamental design for an exercise device, as shown and described.

DESCRIPTION

FIG. 1 is a perspective view of an exercise device showing my new design;  
FIG. 2 is a top plan view thereof;  
FIG. 3 is a left side elevational view thereof;  
FIG. 4 is a right side elevational view thereof;  
FIG. 5 is a front elevational view thereof;  
FIG. 6 is a rear elevational view thereof; and  
FIG. 7 is a bottom plan view thereof.  
The broken lines shown in FIG. 1 represent environment only.

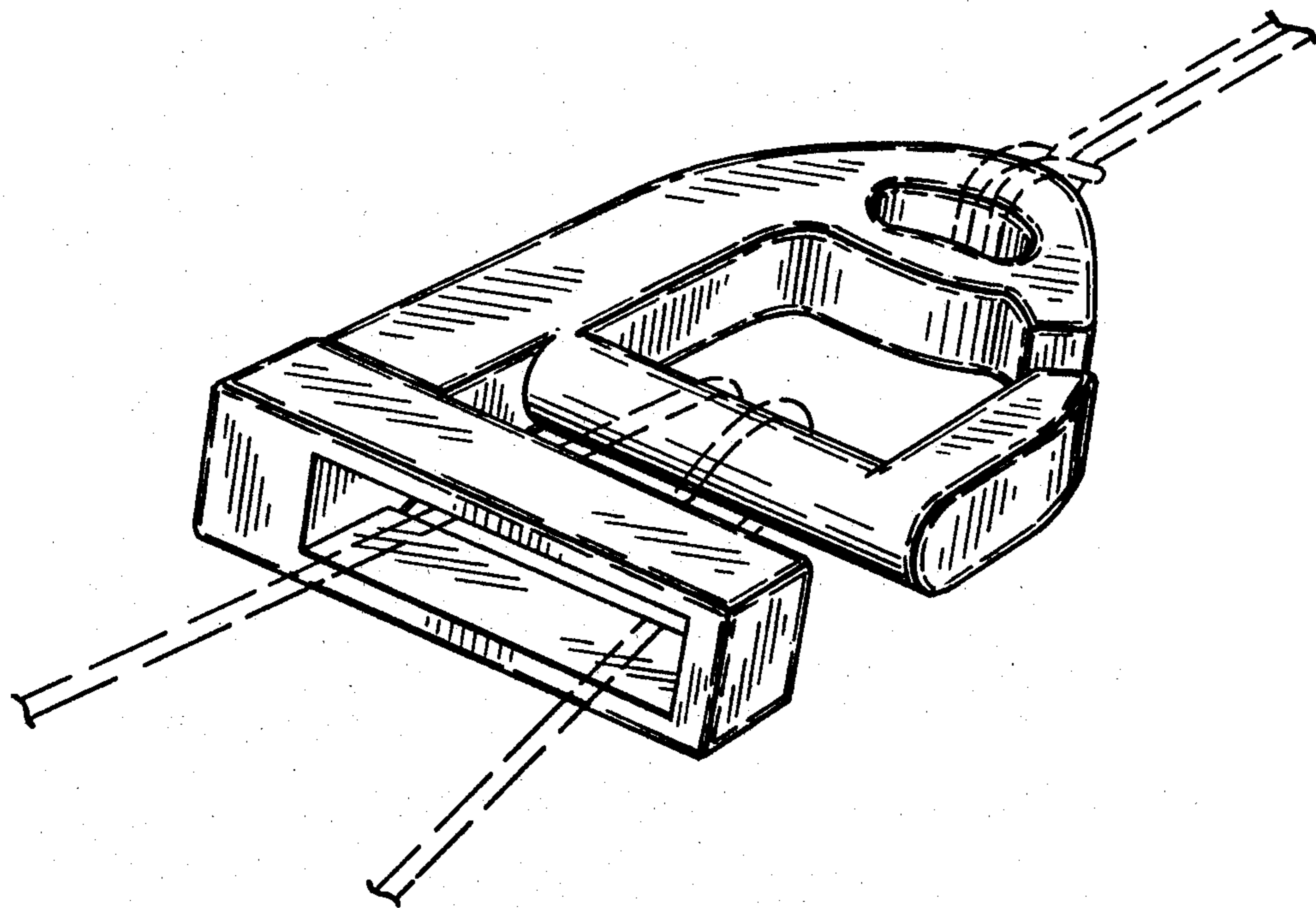


FIG. 1

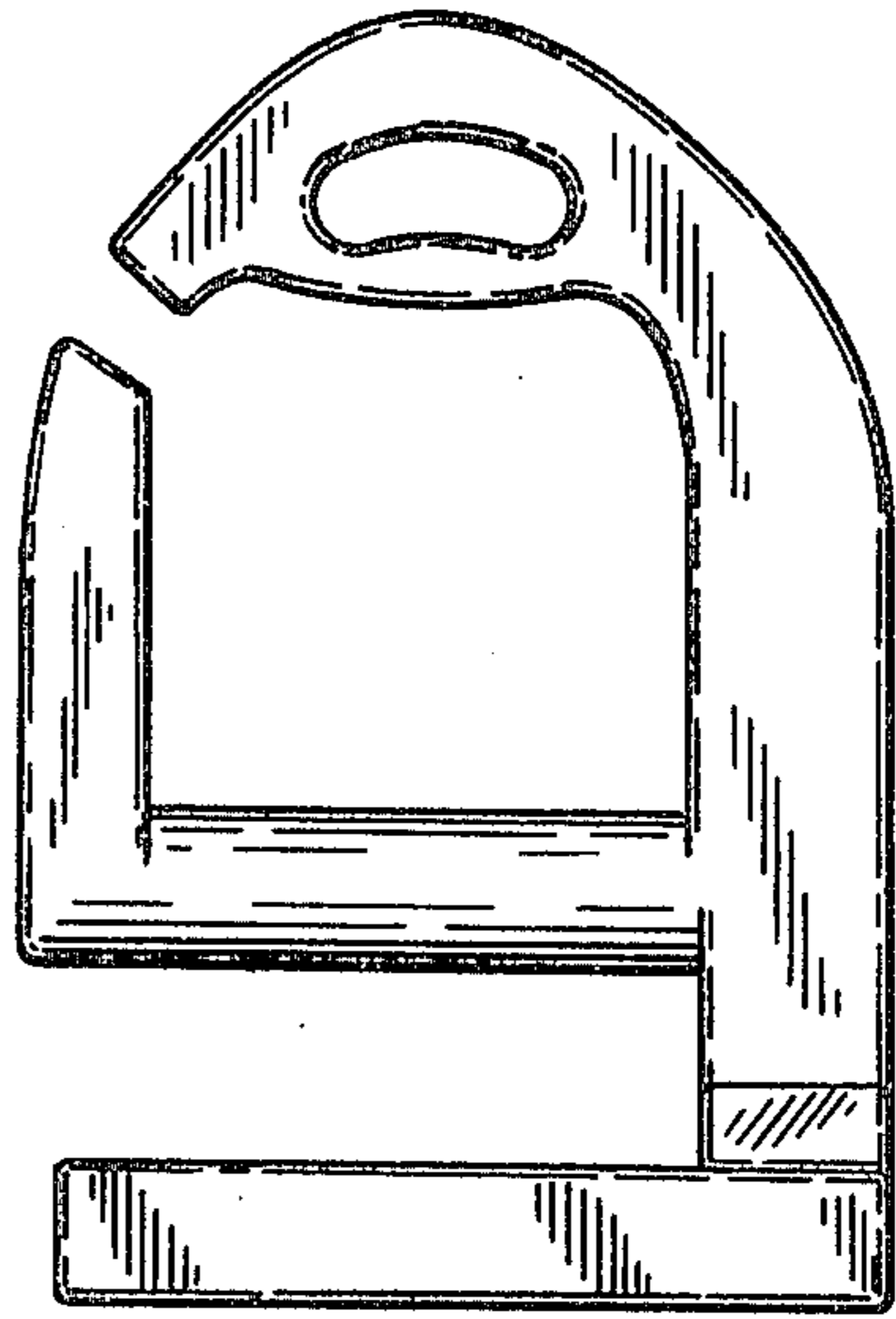
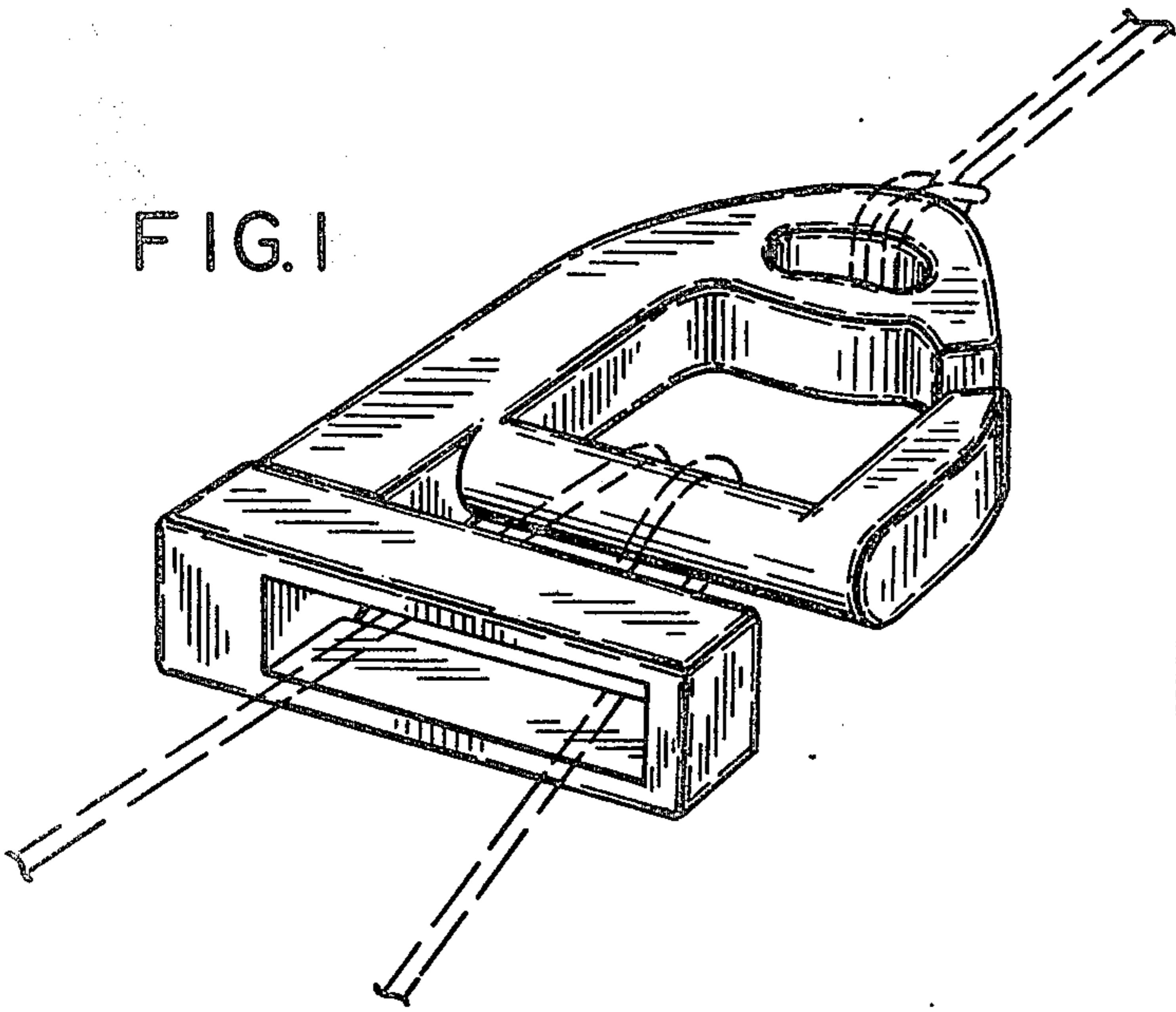


FIG. 7

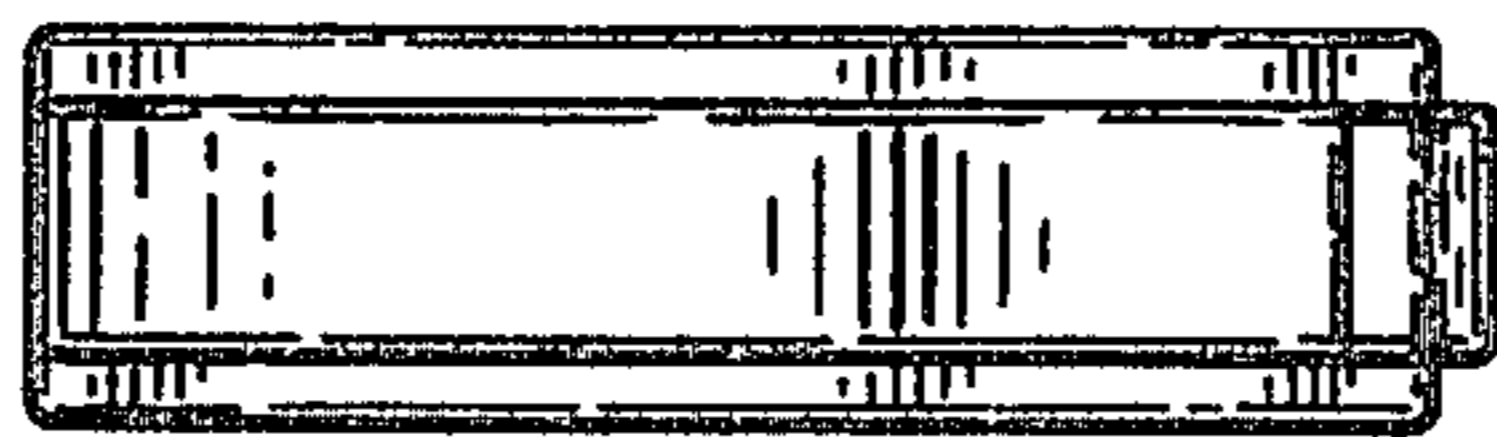


FIG. 6

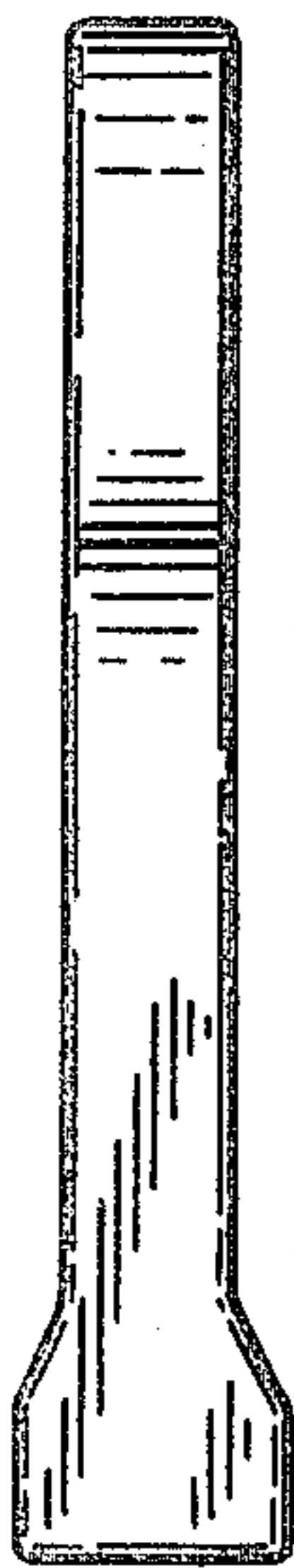


FIG. 3

FIG. 2

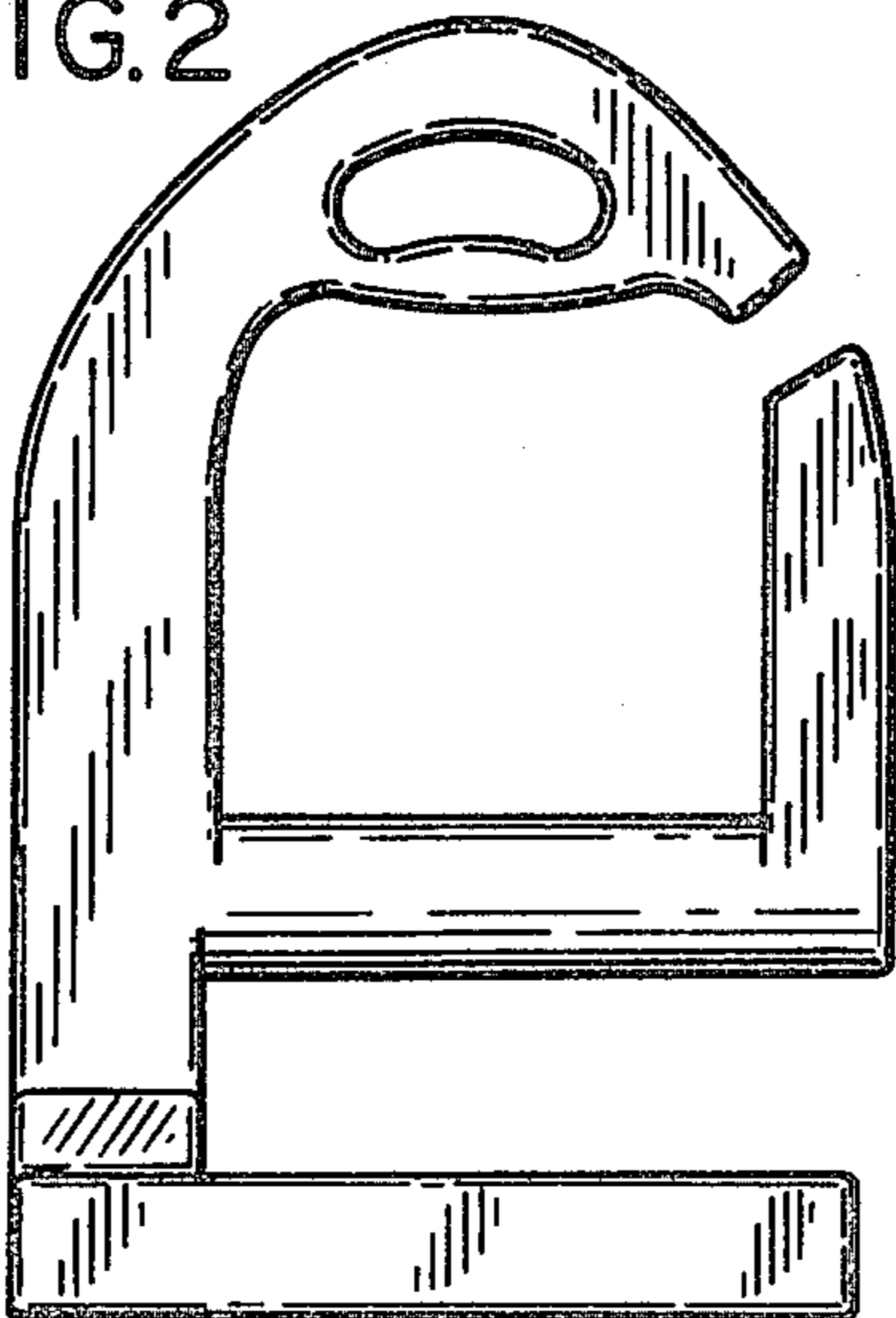


FIG. 4



FIG. 5

