

[54] ROCKING TOY

[75] Inventor: David J. Ciganko, Buffalo, N.Y.

[73] Assignee: The Quaker Oats Company, Chicago, Ill.

[\*\*] Term: 14 Years

[21] Appl. No.: 461,641

[22] Filed: Jan. 27, 1983

[52] U.S. Cl. .... D21/66; D21/161

[58] Field of Search ..... D21/66, 75, 251, 161; 272/52, 52.5, 53.1, 53.2, 54, 55, 56, 70.3

[56] References Cited

U.S. PATENT DOCUMENTS

D. 192,638	4/1962	Haubert	.....	D21/251
2,372,384	3/1945	Lutz	.....	272/52
2,707,633	5/1955	Wiley et al.	.....	272/52

FOREIGN PATENT DOCUMENTS

1364492 7/1963 France ..... 272/52

OTHER PUBLICATIONS

Toby Toys, flier, ©1973, Item #272, Toby roller.

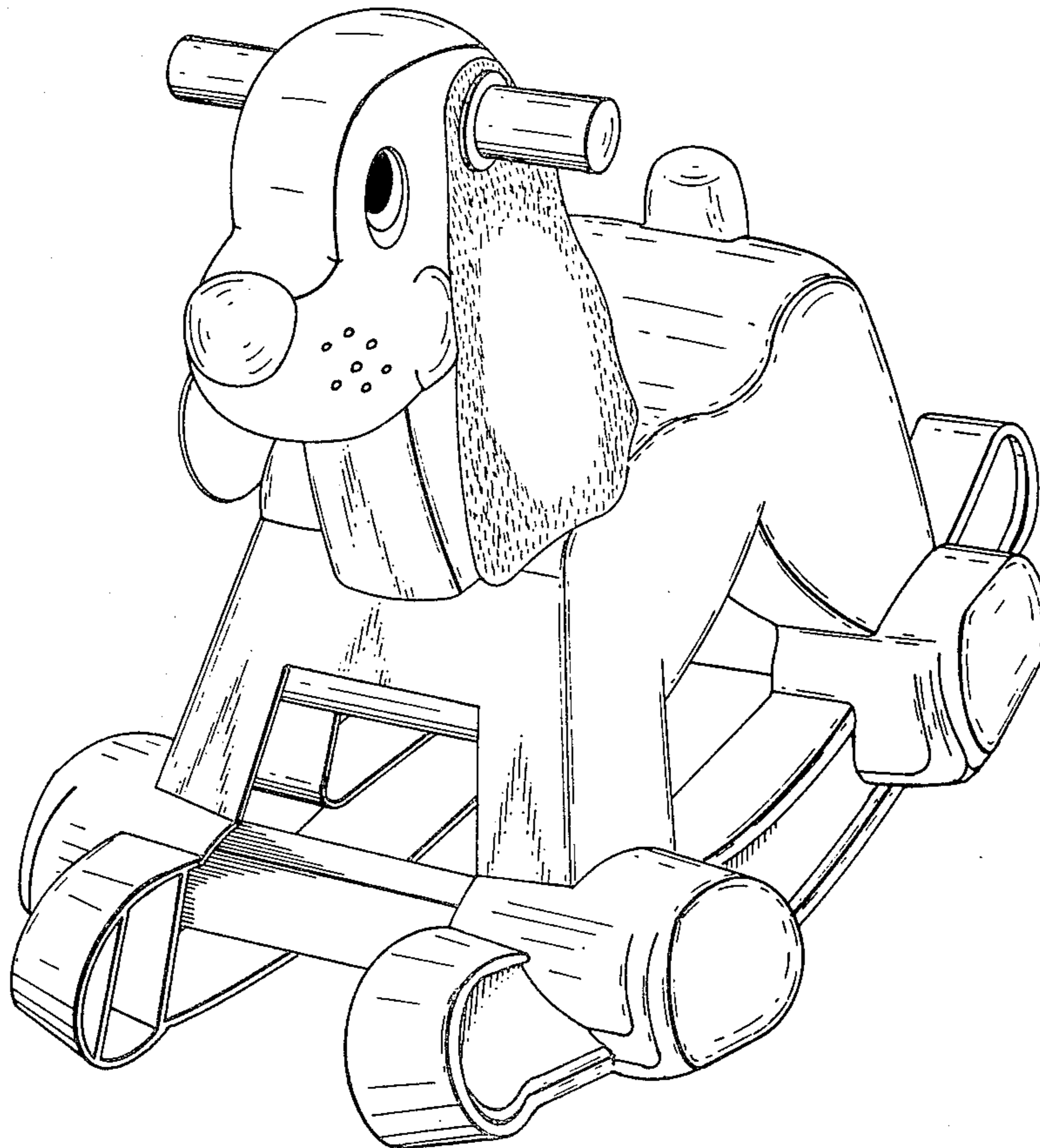
Primary Examiner—Charles A. Rademaker  
Attorney, Agent, or Firm—Cumpston & Shaw

[57] CLAIM

The ornamental design for a rocking toy, substantially as shown and described.

DESCRIPTION

FIG. 1 is a perspective view of a rocking toy showing my new design;  
FIG. 2 is a right side elevational view thereof, the left side being substantially a mirror image;  
FIG. 3 is a bottom plan view thereof; and  
FIG. 4 is a front elevational view thereof.



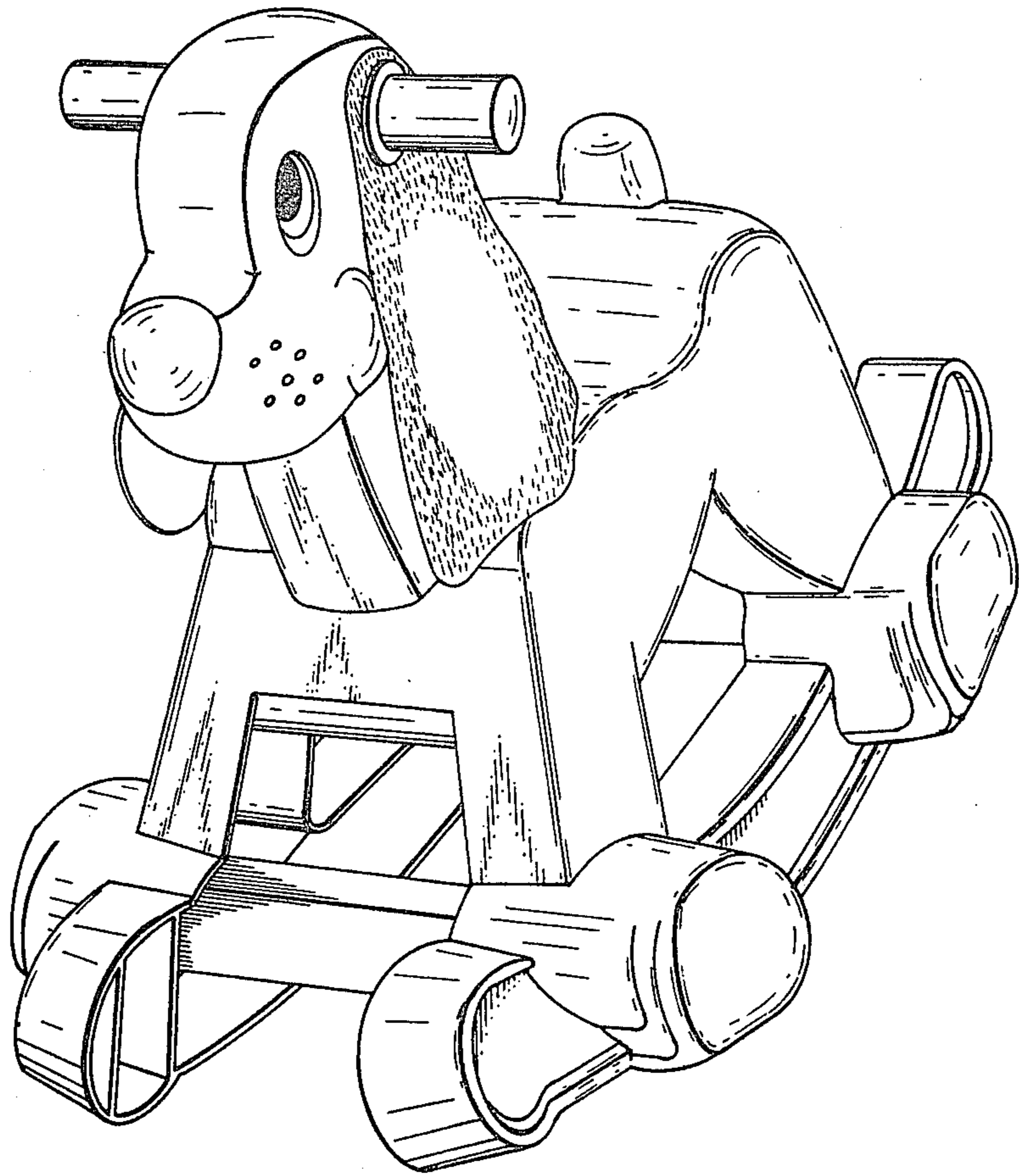


FIG. 1

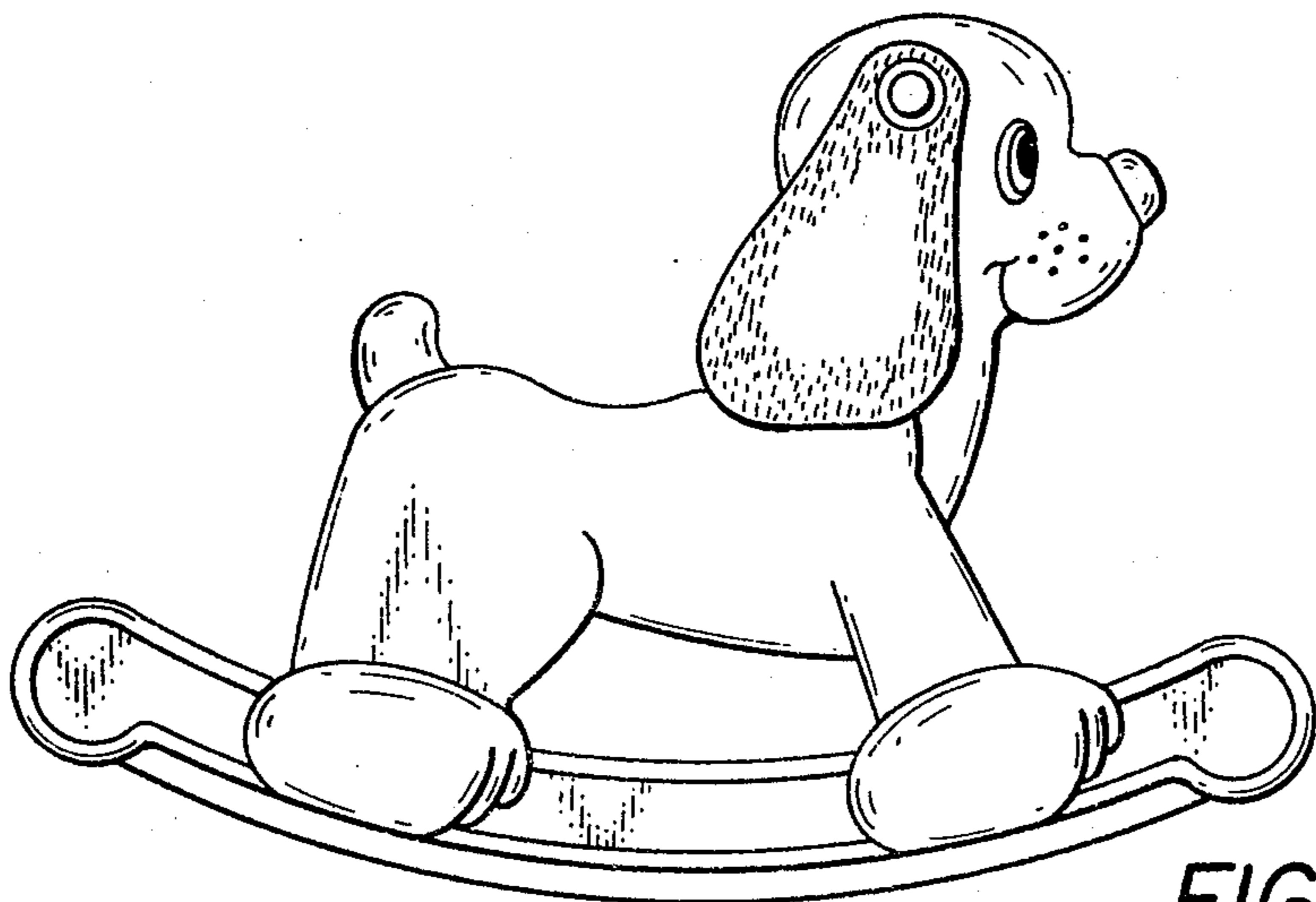


FIG. 2

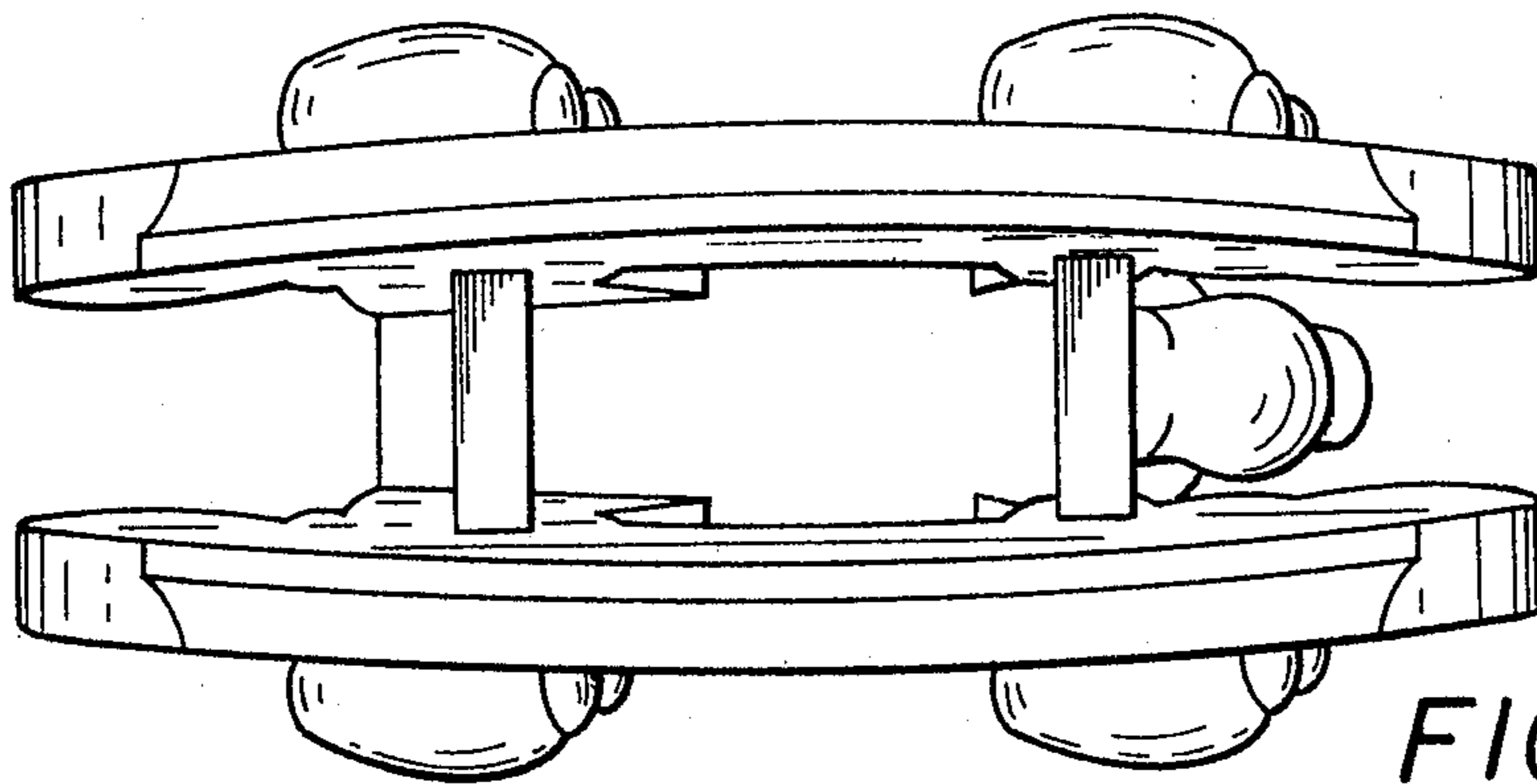


FIG. 3

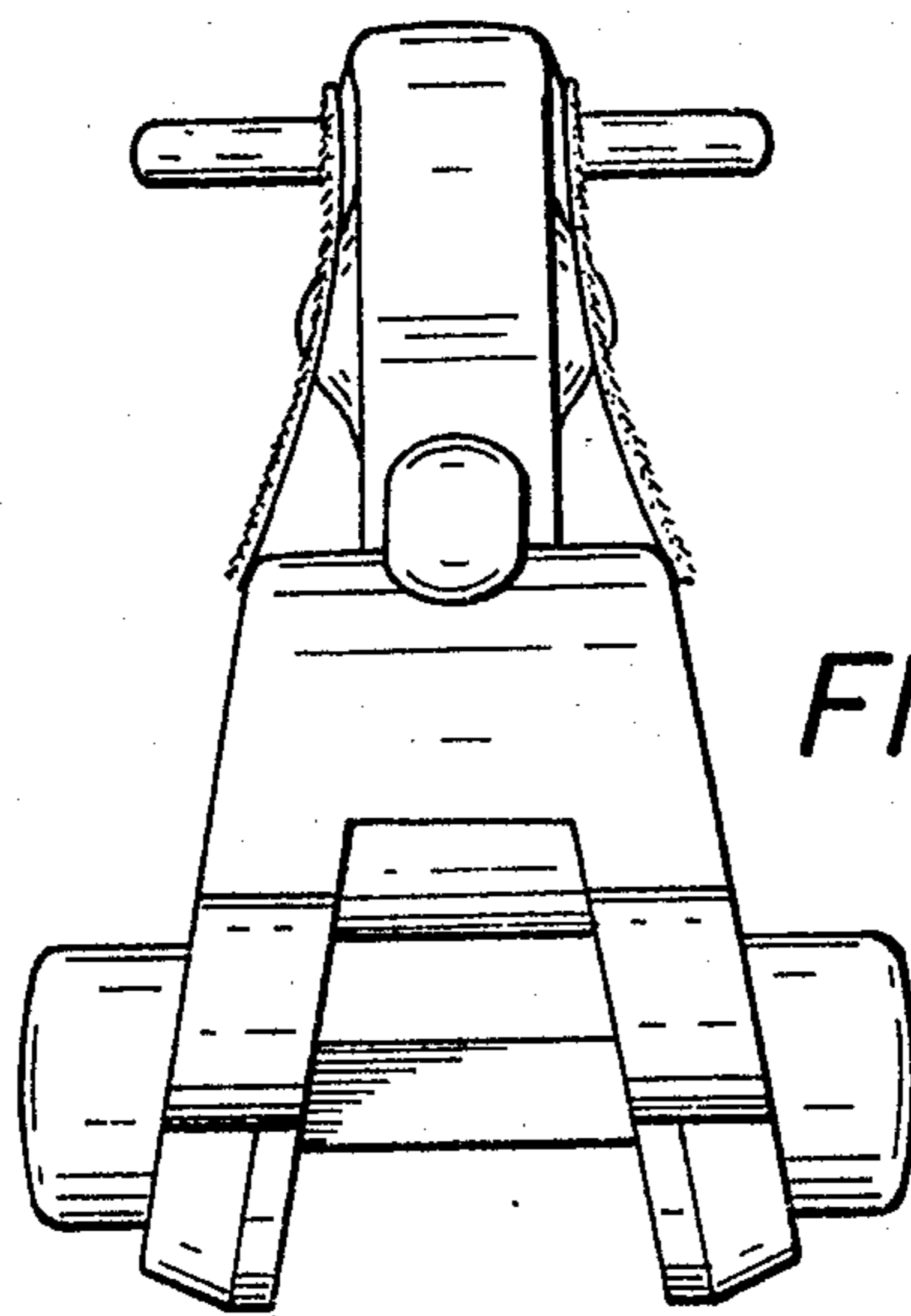


FIG. 4