

[54] BATH TOY

[75] Inventor: Marc Rivollet, Oyonnax, France

[73] Assignee: Etablissements Fernand Berchet, Oyonnax, France

[\*\*] Term: 14 Years

[21] Appl. No.: 362,123

[22] Filed: Mar. 26, 1982

[30] Foreign Application Priority Data

Sep. 29, 1981 [FR] France ..... 81 3315

[52] U.S. Cl. .... D21/59; D21/130

[58] Field of Search ..... D21/59, 130, 157; 46/91, 93

[56] References Cited

PUBLICATIONS

Montgomery Ward 1974 Xmas Cat., p. 308, upper right, Item F, Busy Bath.

Sears 1979 Xmas Cat., p. 590, left, Bath Toys, Illustrations 1, 2 and 3.

Primary Examiner—Melvin B. Feifer  
Attorney, Agent, or Firm—Parkhurst & Oliff

[57] CLAIM

The ornamental design for a bath toy, as shown.

DESCRIPTION

FIG. 1 is an isometric view of the bath toy of the inventive design;

FIG. 2 is a top view of the bath toy of the inventive design;

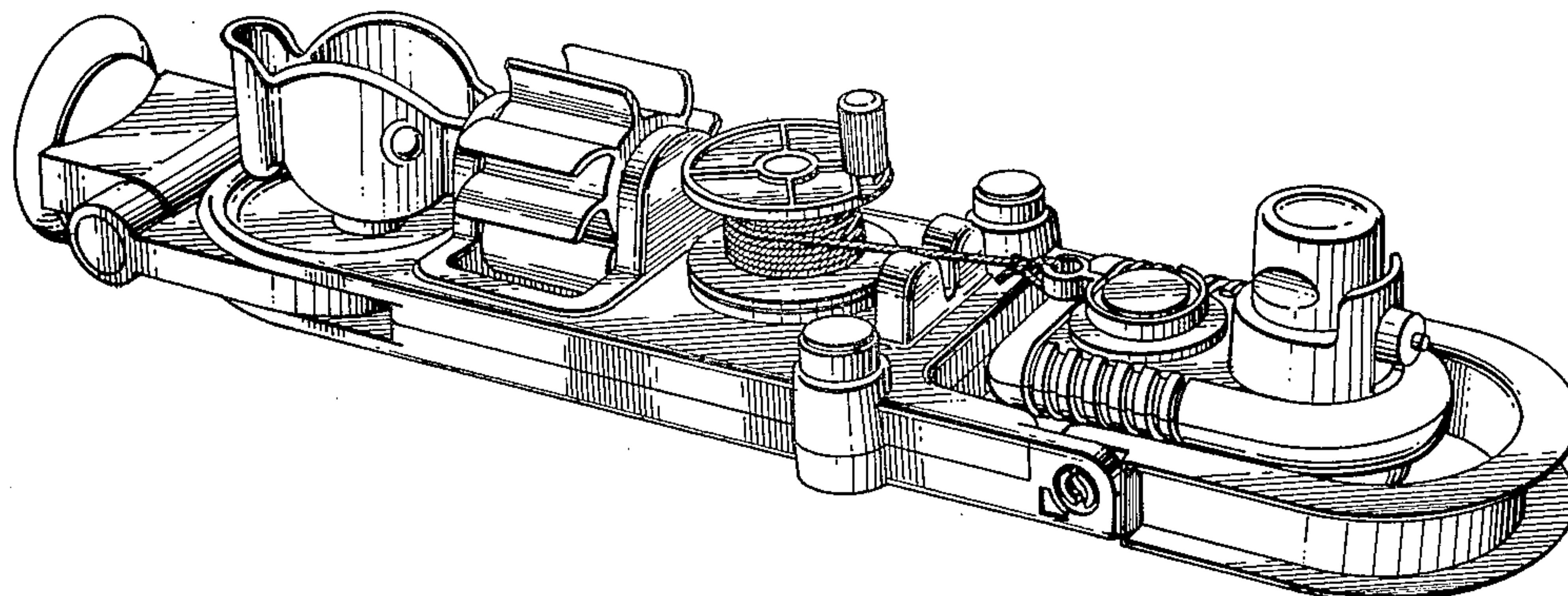
FIG. 3 is a bottom view of the bath toy of the inventive design;

FIG. 4 is a right side or starboard view of the bath toy of the inventive design;

FIG. 5 is a left side or port view of the bath toy of the inventive design;

FIG. 6 is a front or bow view of the bath toy of the inventive design; and

FIG. 7 is a rear or stern view of the bath toy of the inventive design.



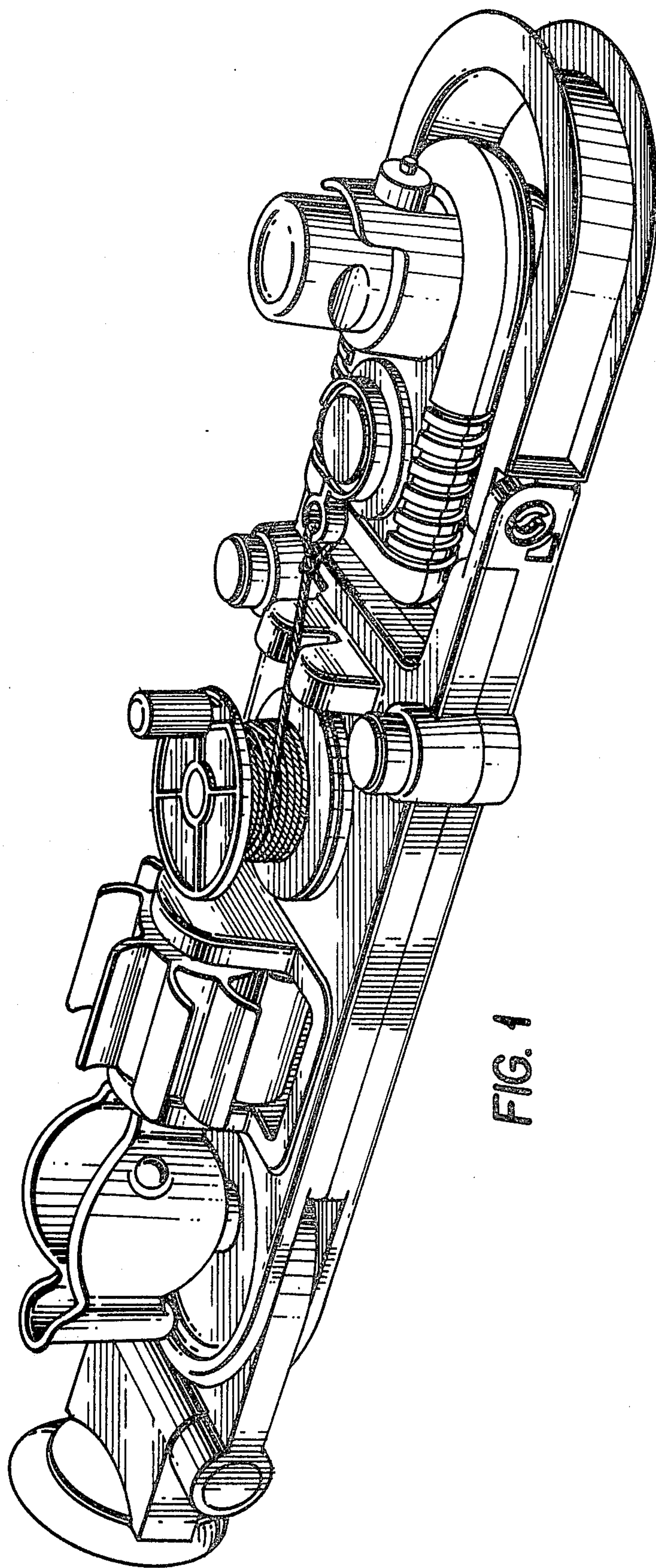


FIG. 1



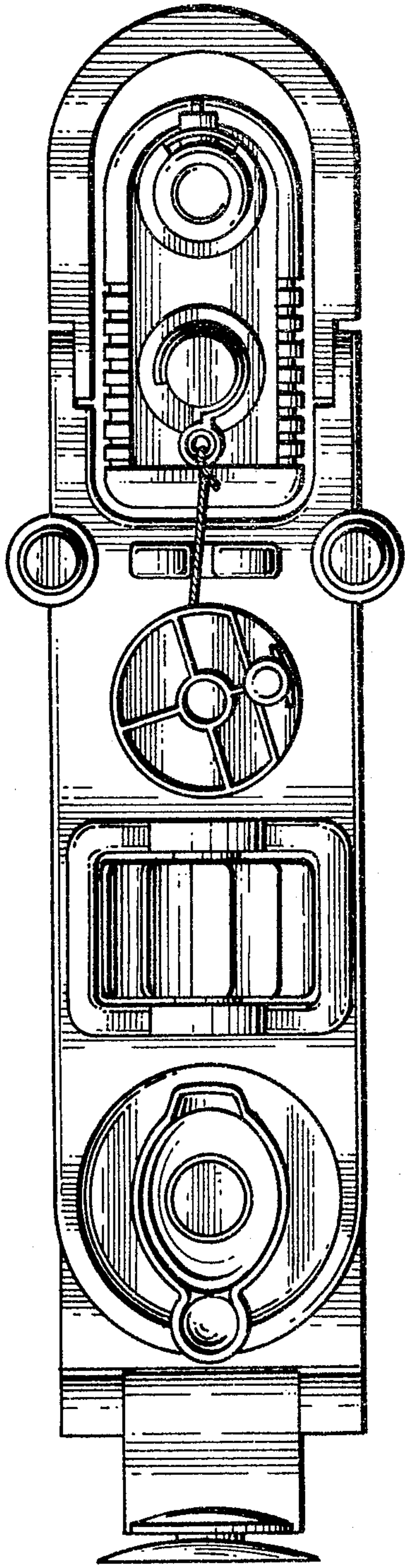


FIG. 2

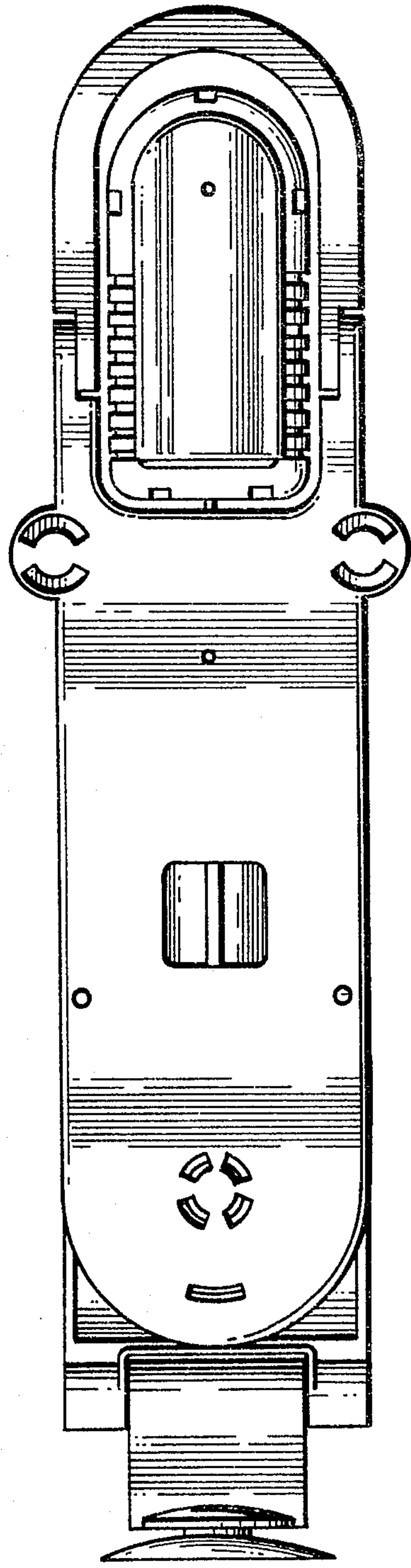


FIG. 3

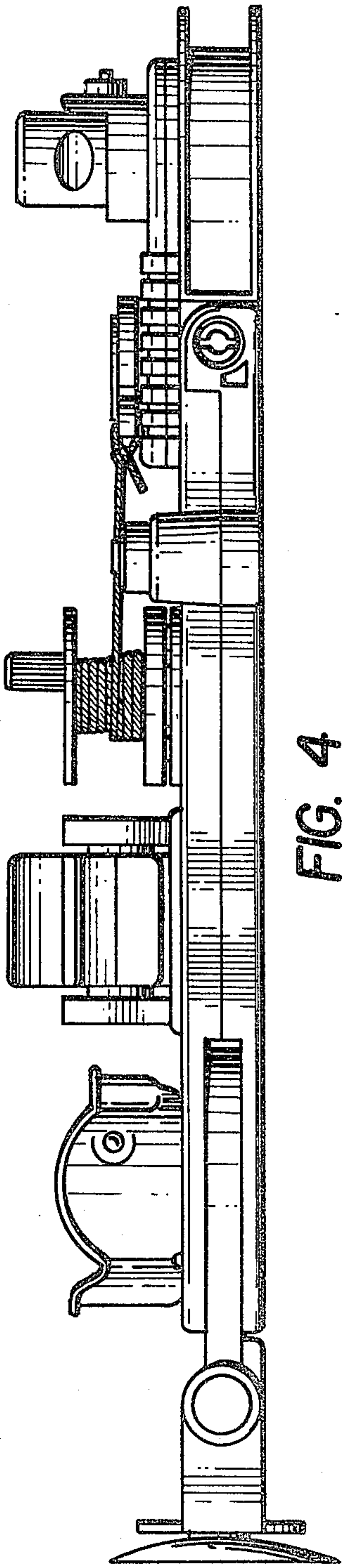


FIG. 4

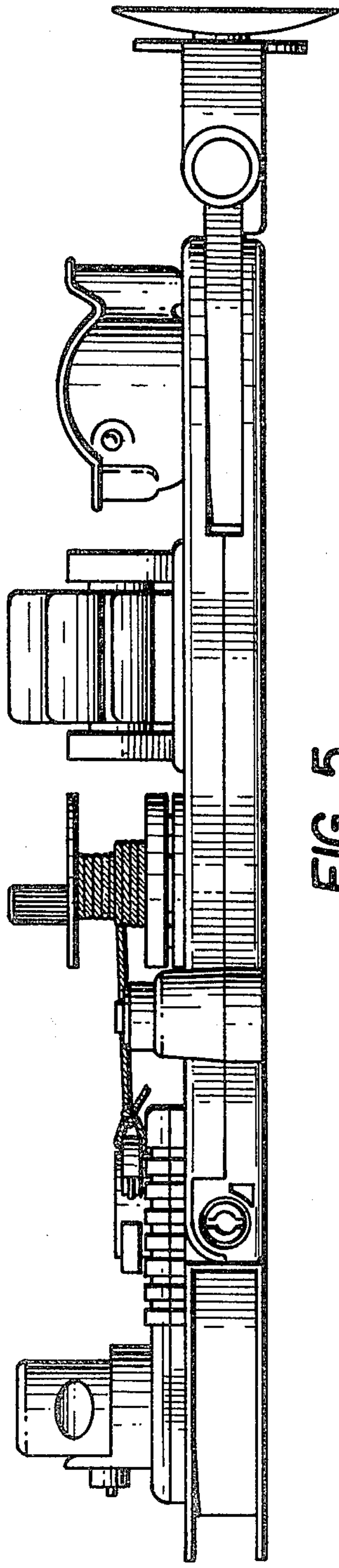
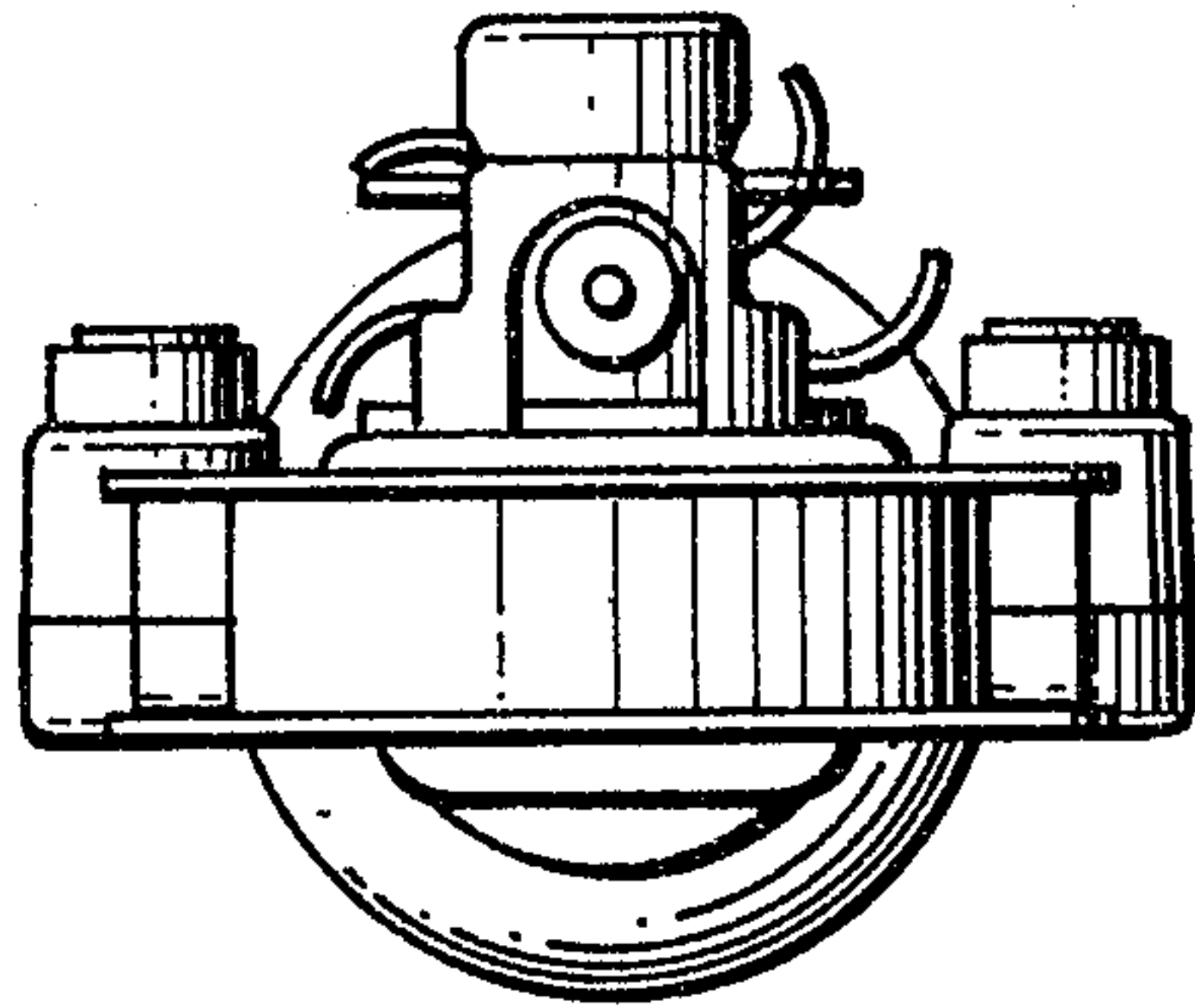
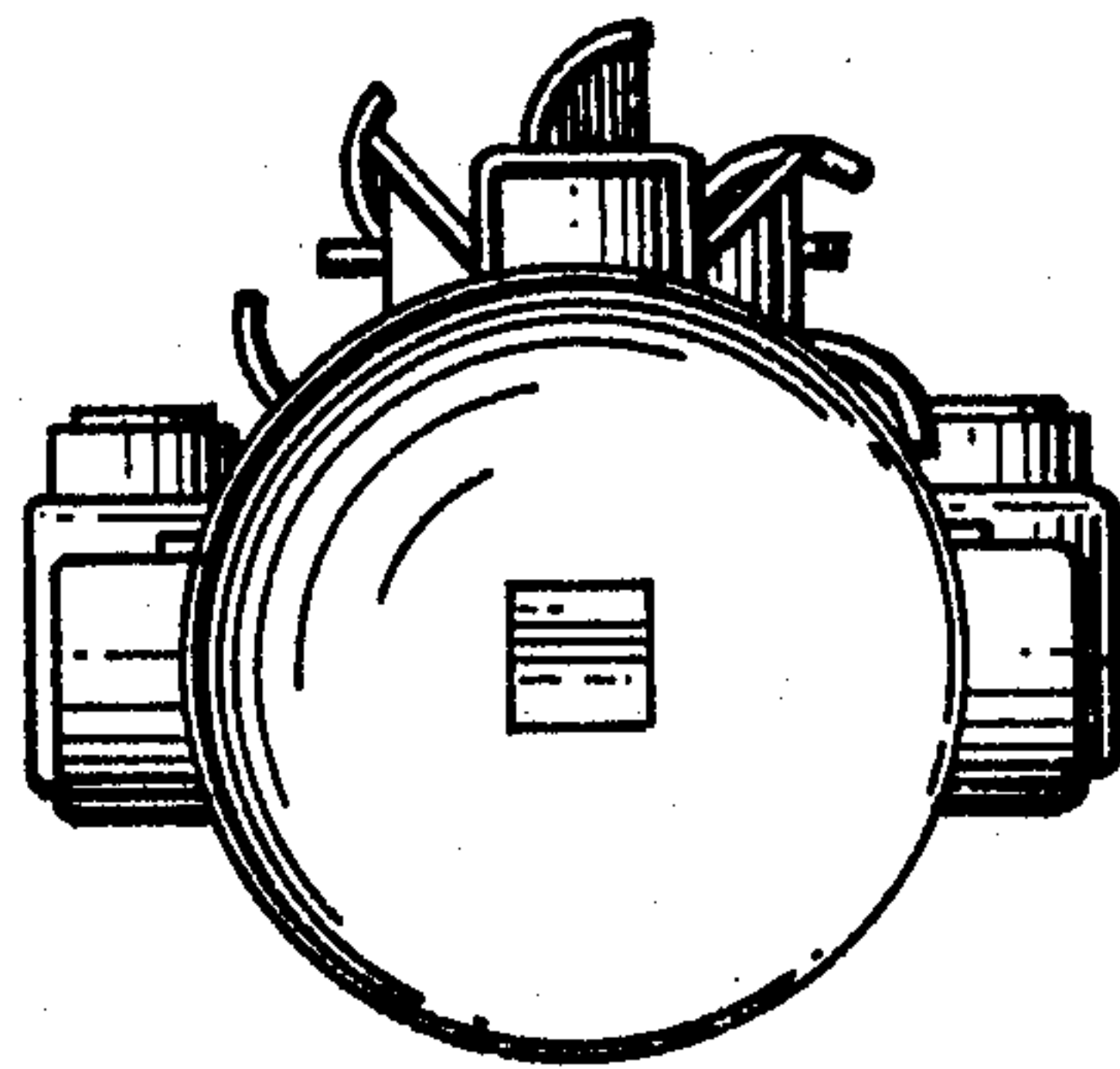


FIG. 5



**FIG. 6**



**FIG. 7**