

[54] COMBINED HOLDER FOR DRAWING TOY AND DOLL STAND

[76] Inventor: Joseph A. Marino, P.O. Box 306, S. Ryland Rd., Whitehouse, N.J. 08888

[**] Term: 14 Years

[21] Appl. No.: 321,250

[22] Filed: Nov. 13, 1981

[52] U.S. Cl. D21/59

[58] Field of Search D21/59, 54, 55; D6/188; D3/69; 46/47, 116, 32

[56] References Cited

U.S. PATENT DOCUMENTS

- D. 257,438 10/1980 Tsuyuki D21/59
- 4,221,060 9/1980 Moskowitz et al. 46/116

OTHER PUBLICATIONS

Sears Wish Book, 1979, p. 537, Item #3, Toy Support and p. 539, Item #D, "Art Center."

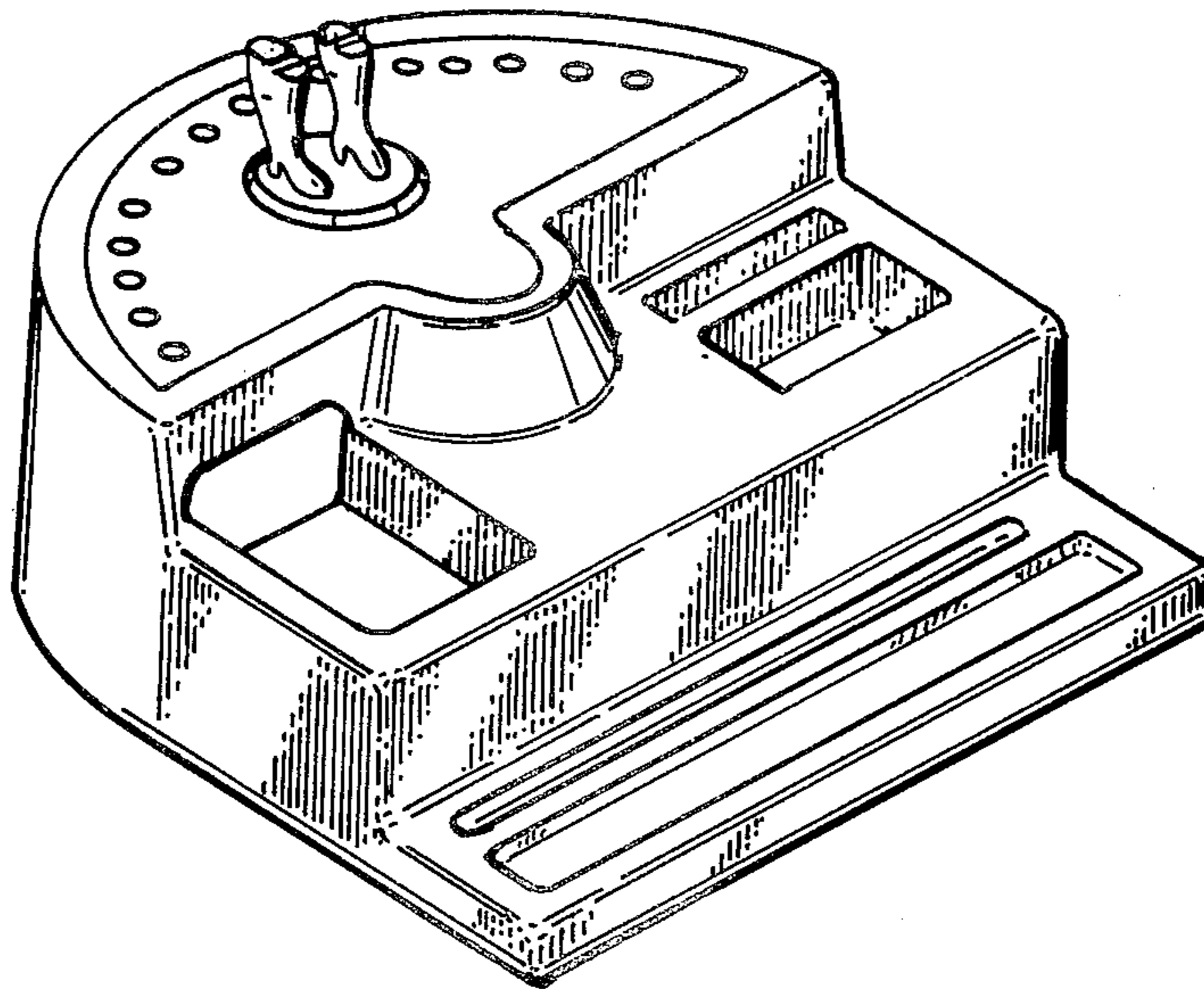
Primary Examiner—Charles A. Rademaker
Attorney, Agent, or Firm—Paul Maleson; Morton Rosenberg; Stanley Bilker

[57] CLAIM

The ornamental design for a combined holder for drawing toy and doll stand, as shown.

DESCRIPTION

FIG. 1 is a perspective view of a combined holder for drawing toy and doll stand showing my new design; FIG. 2 is a left side elevational view thereof; FIG. 3 is a right side elevational view thereof; FIG. 4 is a top plan view thereof; FIG. 5 is a bottom plan view thereof; FIG. 6 is a front elevational view thereof; and, FIG. 7 is a rear elevational view thereof.



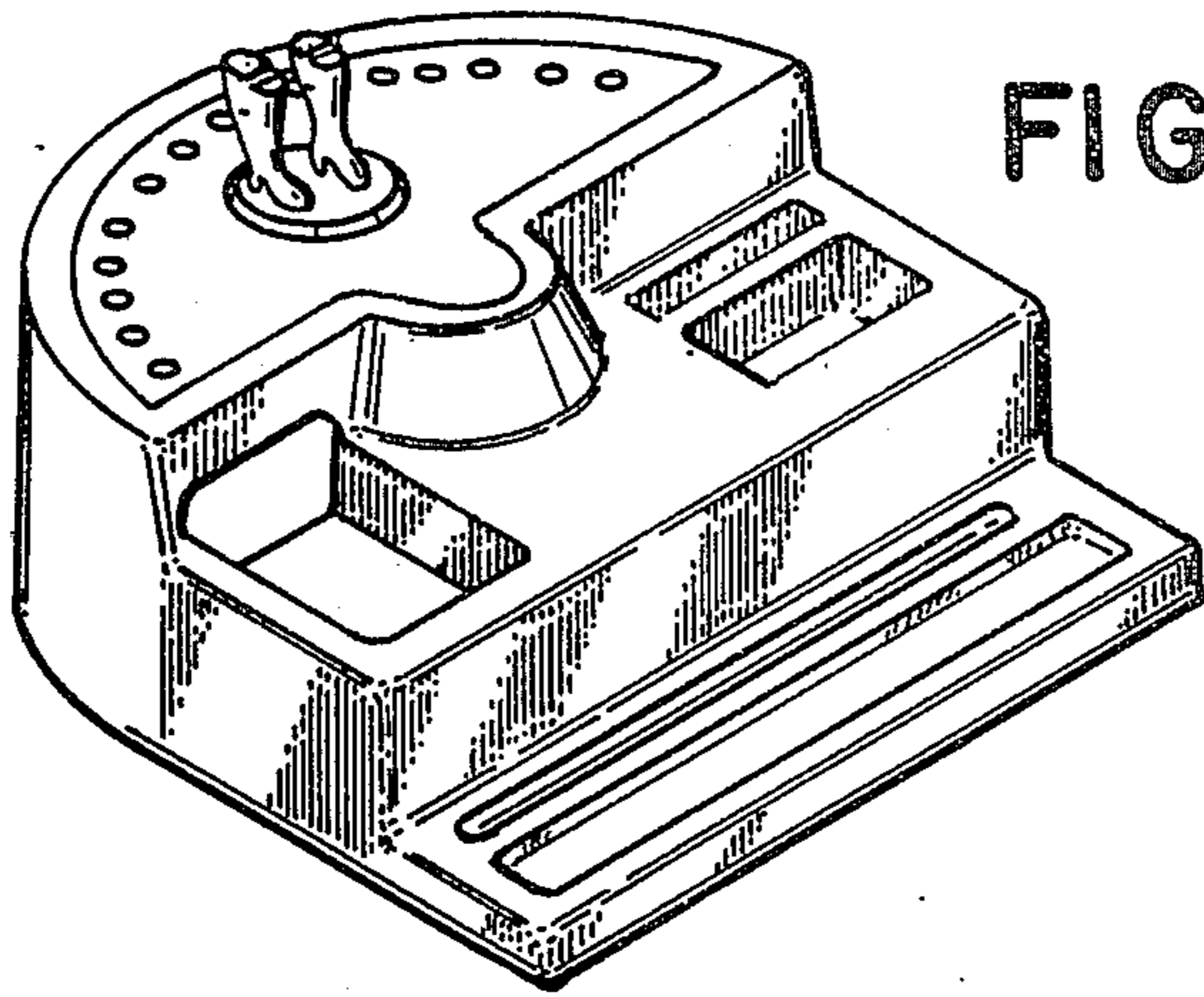


FIG. 1

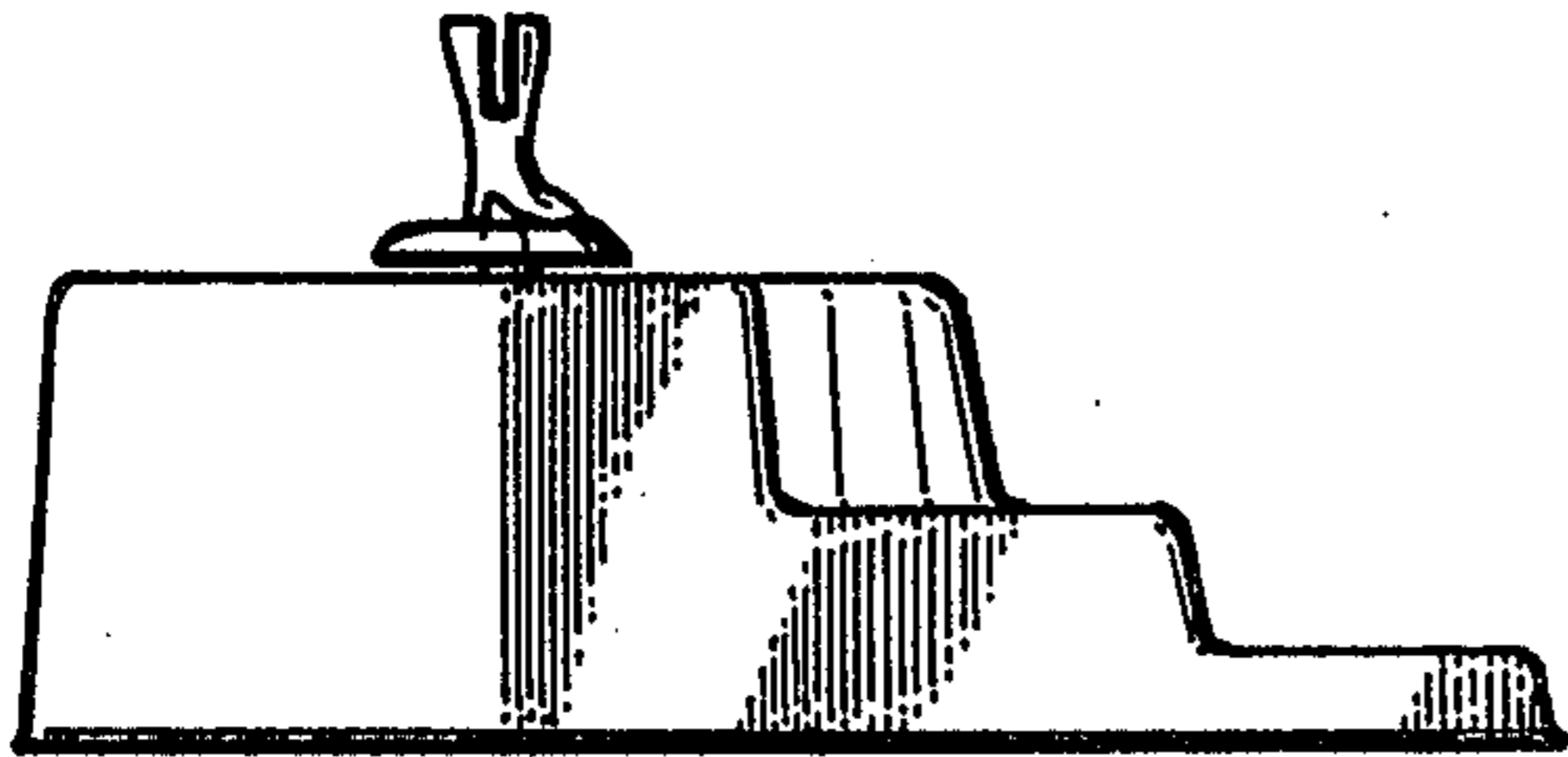


FIG. 2

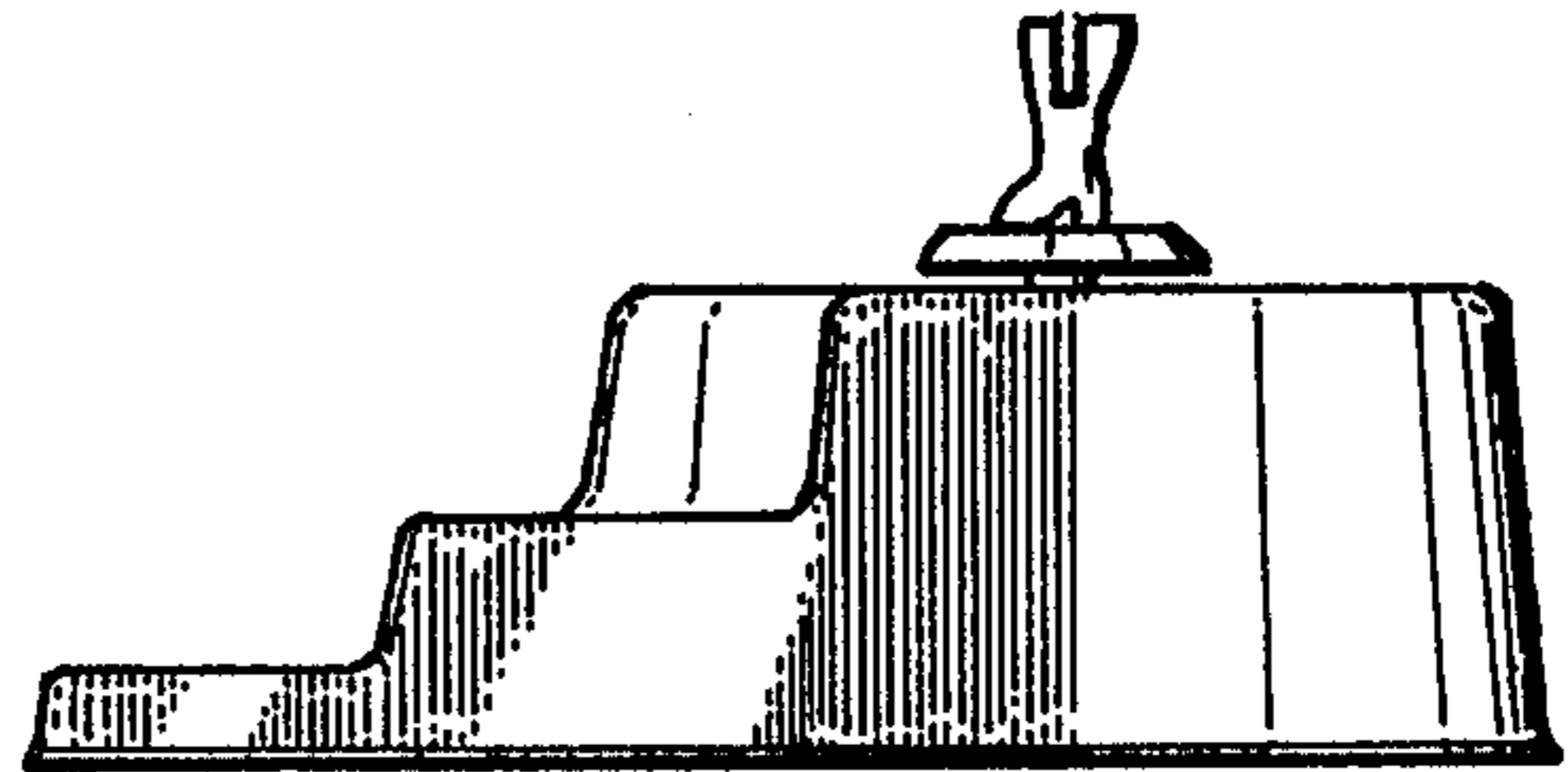


FIG. 3

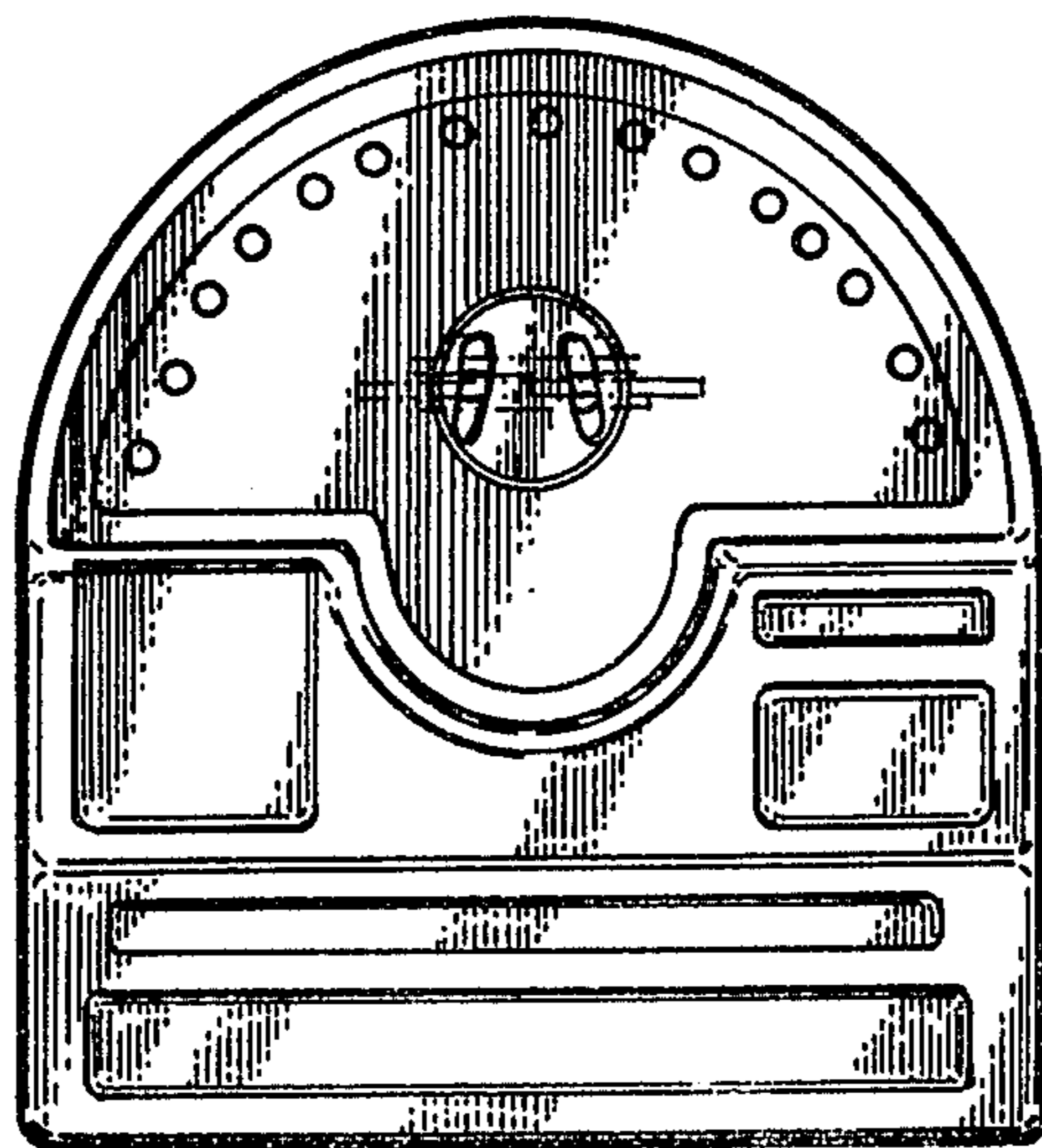


FIG. 4

FIG. 5

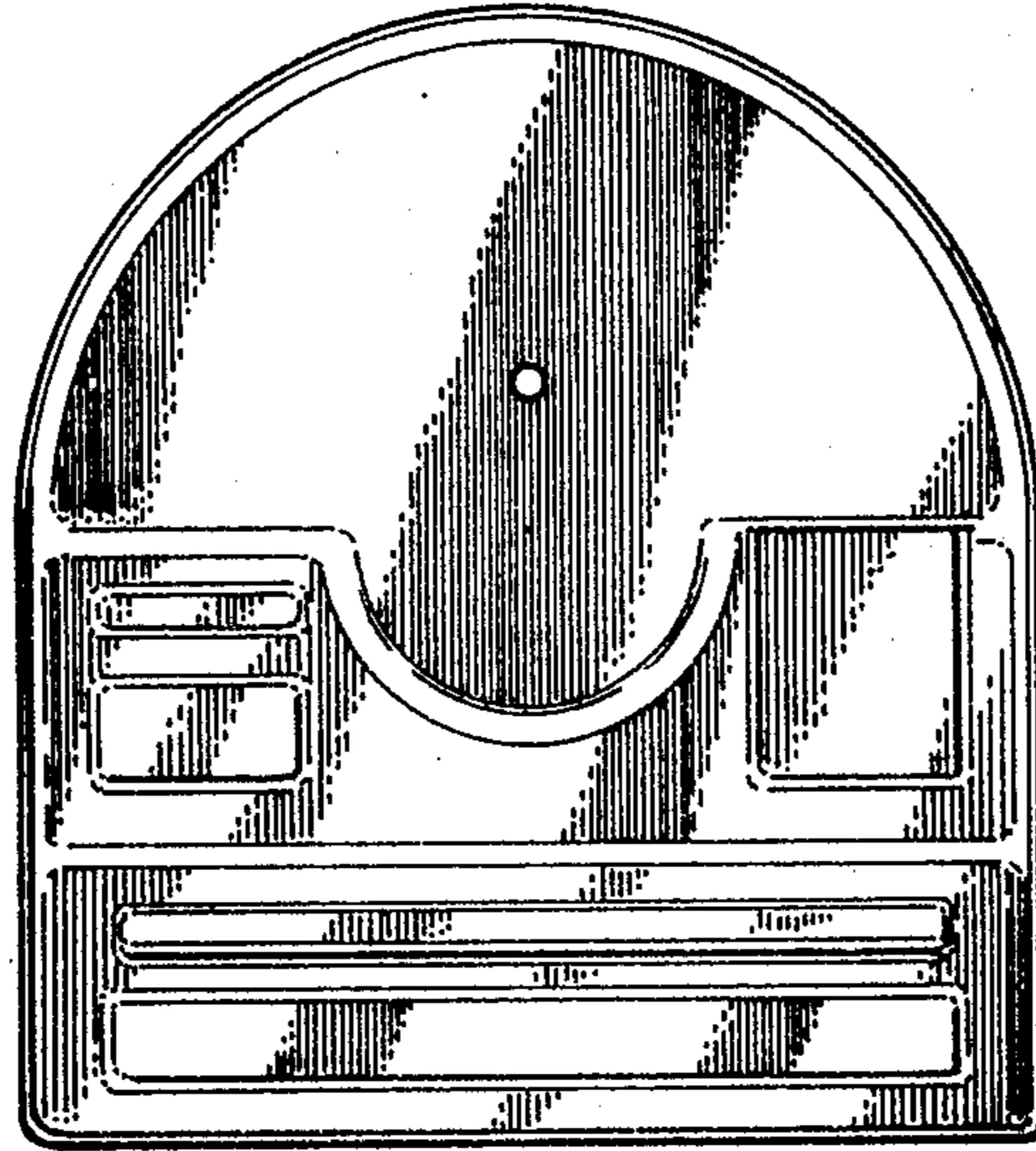


FIG. 6

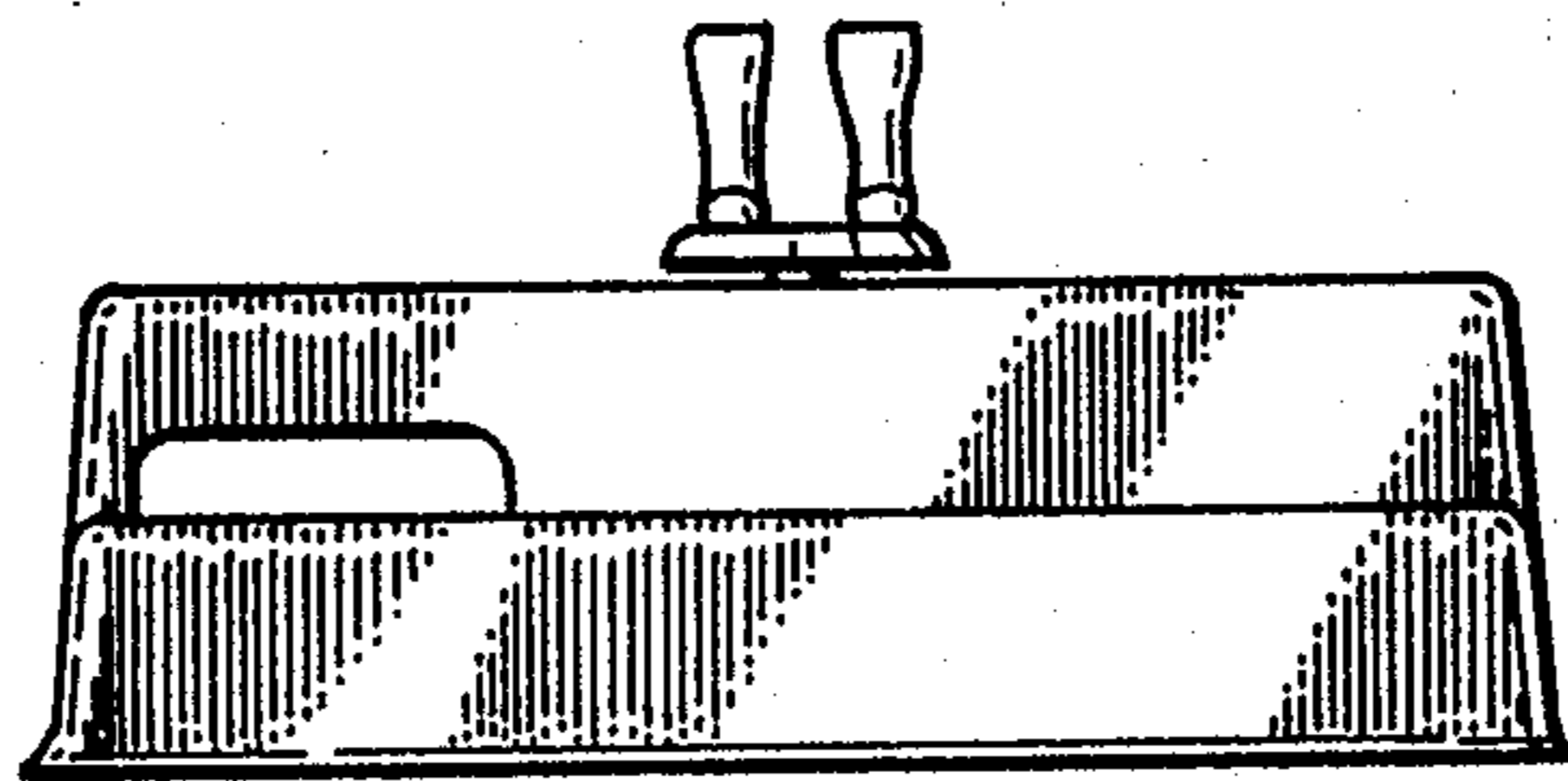


FIG. 7

