

[54] COMBINED MIRROR AND RANDOM SELECTOR FOR A NUMBER GAME

1059815 6/1959 Fed. Rep. of Germany ... 273/144 B

[76] Inventor: Marie T. Bahier, 221 W. 82nd St., New York, N.Y. 10024

Primary Examiner—Melvin B. Feifer
Attorney, Agent, or Firm—Lackenbach, Siegel, Marzullo, Presta & Aronson

[**] Term: 14 Years

[57] CLAIM

[21] Appl. No.: 370,579

The ornamental design for a combined mirror and random selector for a number game, substantially as shown and described.

[22] Filed: Apr. 21, 1982

[52] U.S. Cl. D21/37

[58] Field of Search D21/37, 39; 273/144 B, 273/144 R

DESCRIPTION

[56] References Cited

U.S. PATENT DOCUMENTS

1,613,575 1/1927 Brewer 273/144 R
2,889,961 6/1959 Belmonte 273/144 R

FIG. 1 is a partial fragmentary front view of a combined mirror and random selector for a number game showing my new design. The broken lines are for illustrative purposes only.

FIG. 2 is a reduced scale side view of the design;

FIG. 3 is a reduced scale rear view of the design;

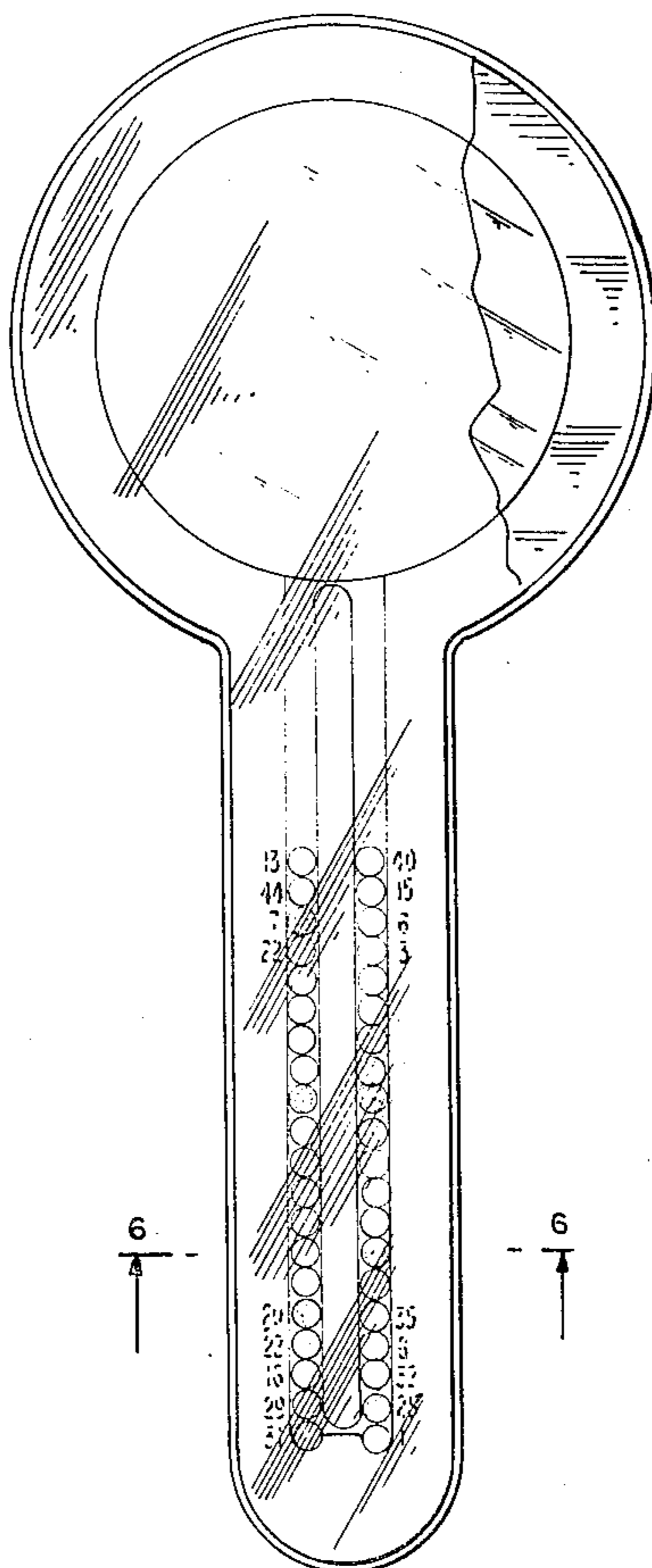
FIG. 4 is a top view of the design;

FIG. 5 is a bottom view of the design; and

FIG. 6 is a sectional view of the design taken along line 6—6 of FIG. 1.

FOREIGN PATENT DOCUMENTS

511657 6/1952 Belgium 273/144 B



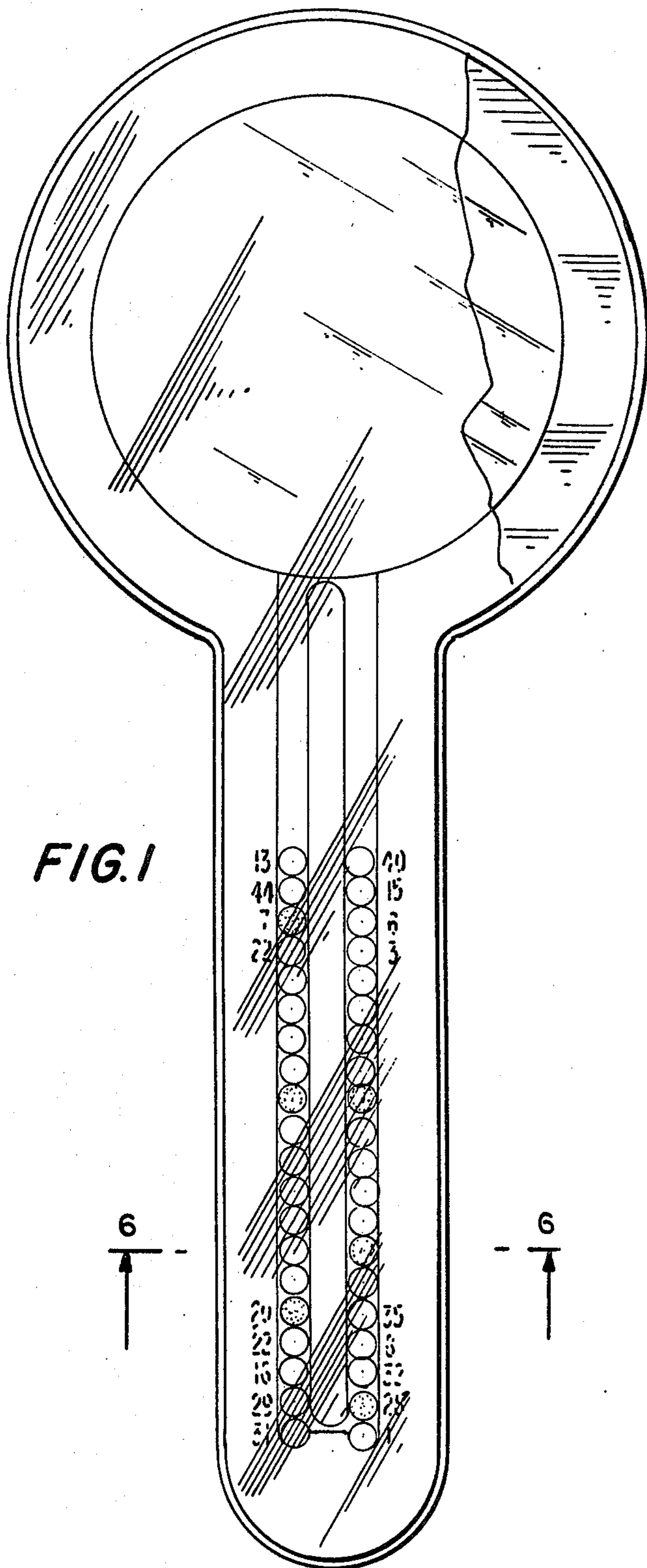


FIG. 2

FIG. 3

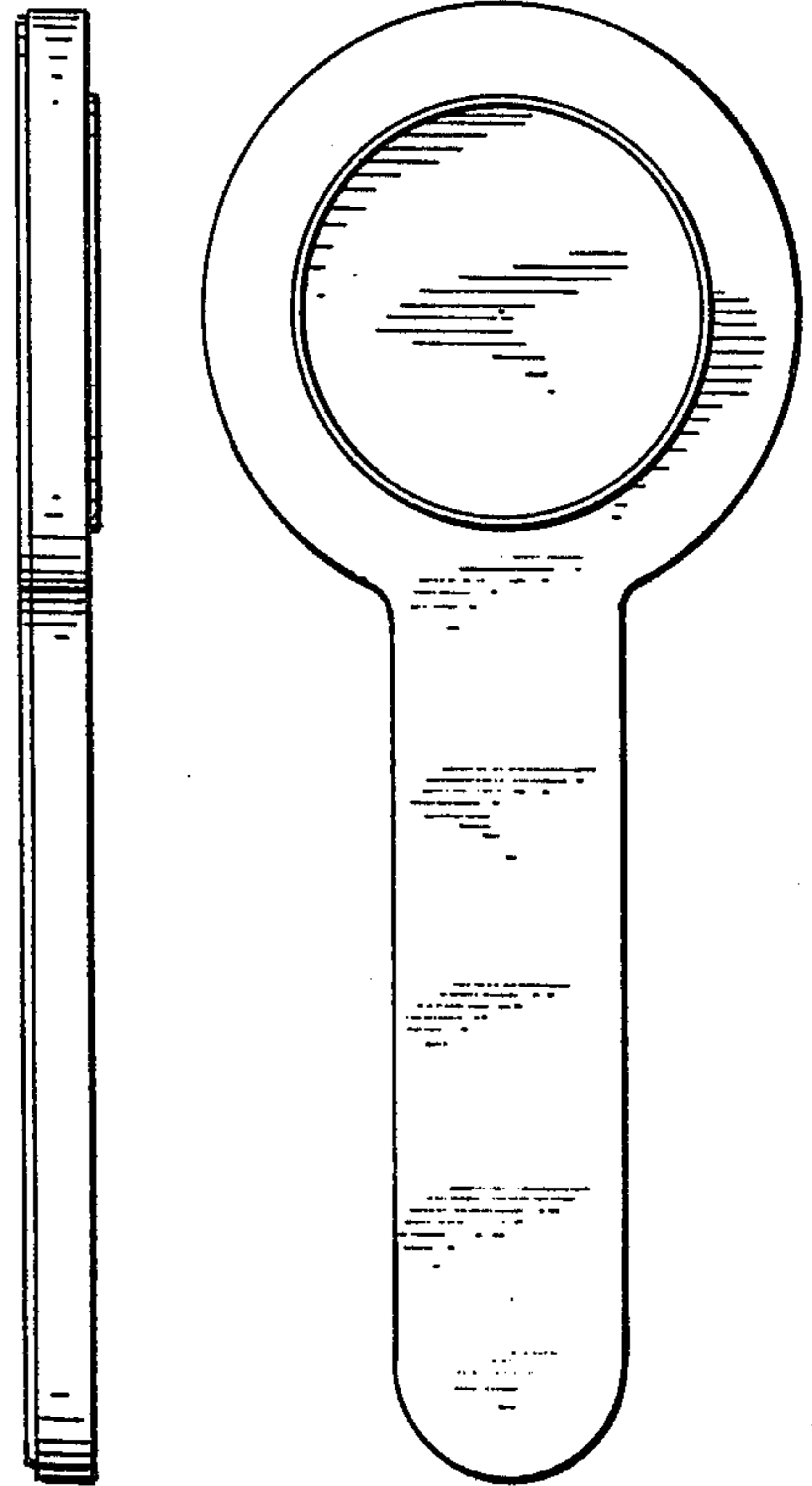


FIG. 4

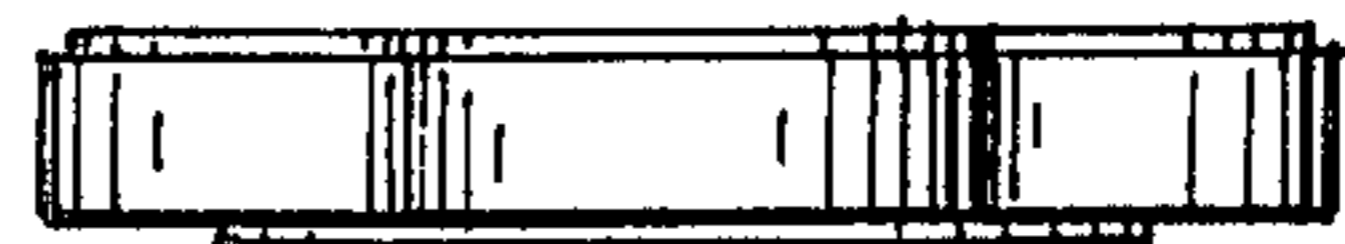


FIG. 5



FIG. 6