

[54] HAND-HELD TYPE ELECTRONIC GAME HOUSING

[75] Inventor: Gunpei Yokoi, Kyoto, Japan

[73] Assignee: Nintendo Co., Ltd., Kyoto, Japan

[\*\*] Term: 14 Years

[21] Appl. No.: 394,299

[22] Filed: Jul. 1, 1982

[30] Foreign Application Priority Data

Apr. 2, 1982 [JP] Japan ..... 57-14250

[52] U.S. Cl. .... D21/13

[58] Field of Search ..... D21/13; 273/DIG. 28, 273/1 GC, 138 A, 85 G

[56] References Cited

U.S. PATENT DOCUMENTS

4,398,086 8/1983 Smith ..... 273/85 G

OTHER PUBLICATIONS

Hong Kong Enterprise, Nov. 1981, p. 23, Vide Tech Ltd., electronic games.

Primary Examiner—Melvin B. Feifer

Attorney, Agent, or Firm—W. G. Fasse; D. H. Kane, Jr.

[57] CLAIM

The ornamental design for a hand-held type electronic game housing, as shown.

DESCRIPTION

FIG. 1 is a front elevational view of a hand-held type electronic game housing showing my new design;

FIG. 2 is a rear elevational view thereof;

FIG. 3 is a bottom plan view thereof;

FIG. 4 is a top plan view thereof;

FIG. 5 is a left side elevational view thereof;

FIG. 6 is a right side elevational view thereof;

FIG. 7 is a cross-sectional view thereof taken on line A—A' of FIG. 1;

FIG. 8 is a front perspective view thereof;

FIG. 9 is another front elevational view thereof showing the design in a folded-up state;

FIG. 10 is another rear elevational view thereof in a folded-up state;

FIG. 11 is another bottom plan view thereof in a folded-up state;

FIG. 12 is another top plan view thereof in a folded-up state;

FIG. 13 is another left side elevational view thereof in a folded-up state;

FIG. 14 is another right side elevational view thereof in a folded-up state; and

FIG. 15 is another front perspective view thereof in a folded-up state.

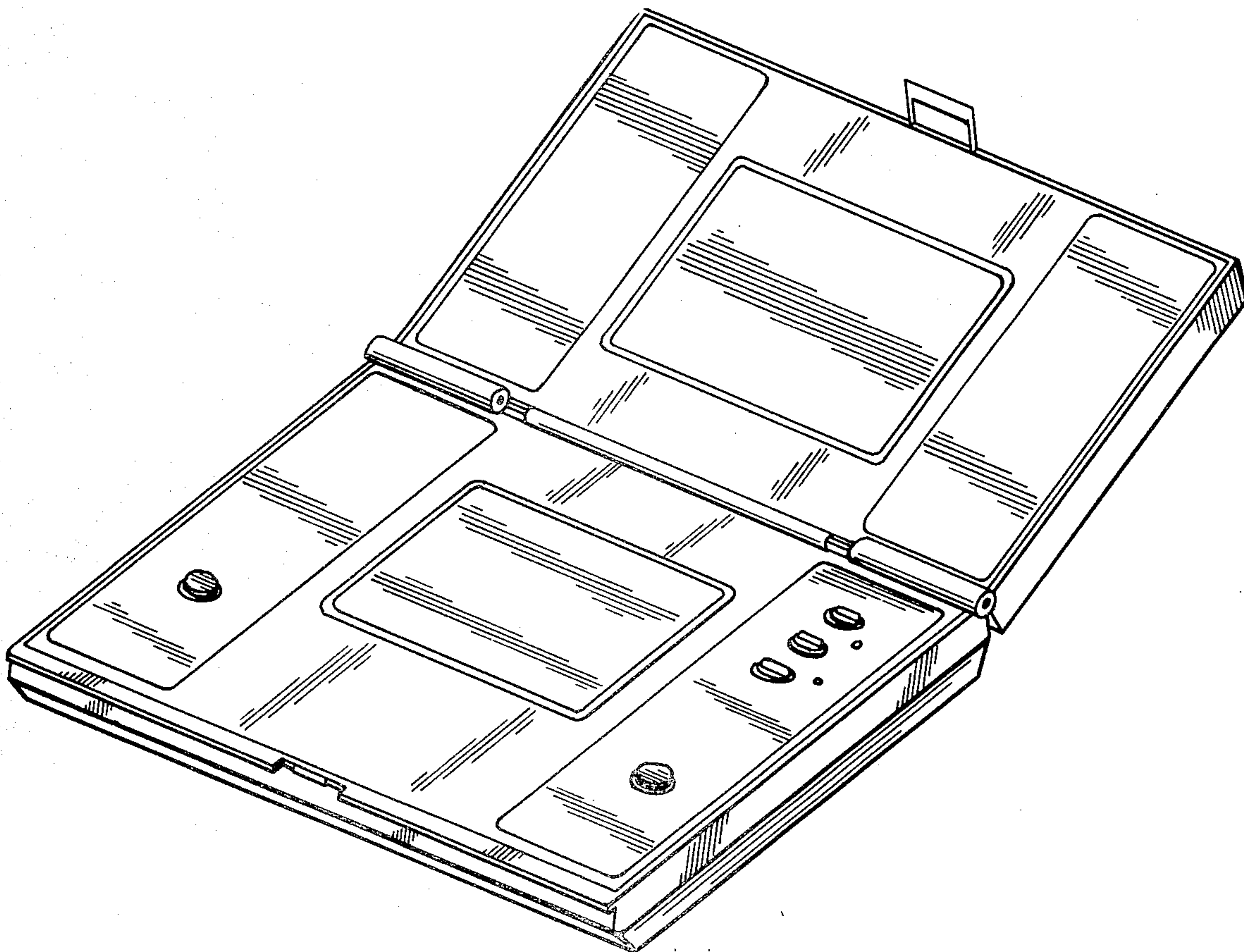


FIG. 1

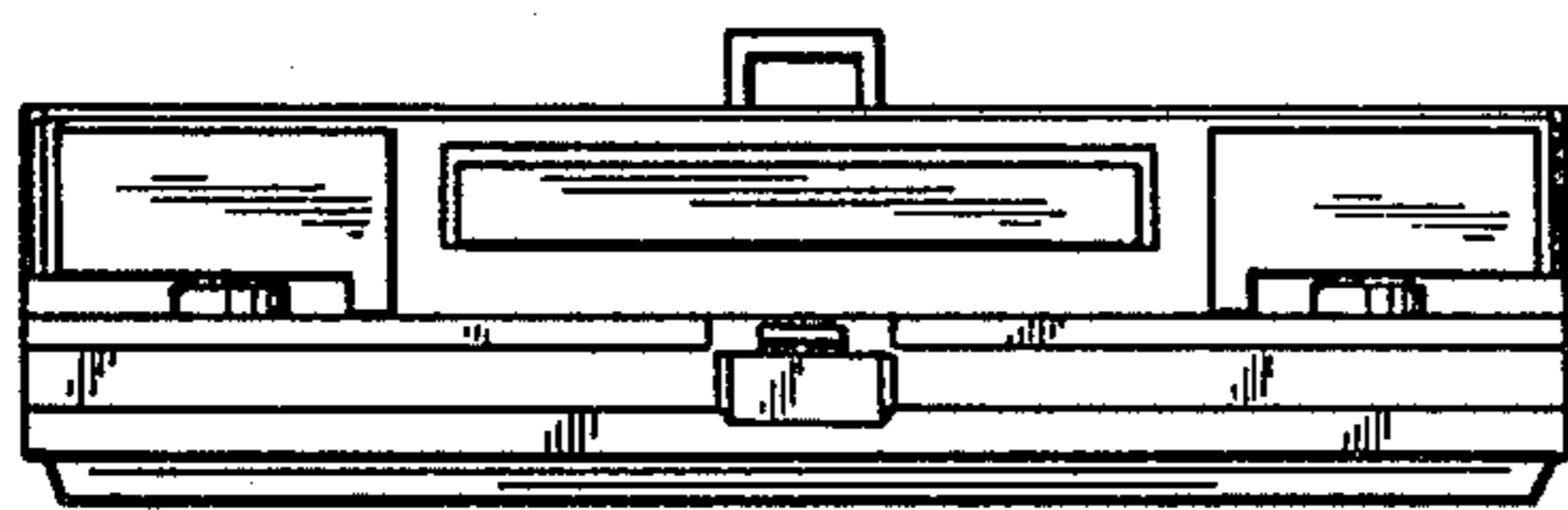


FIG. 2



FIG. 7

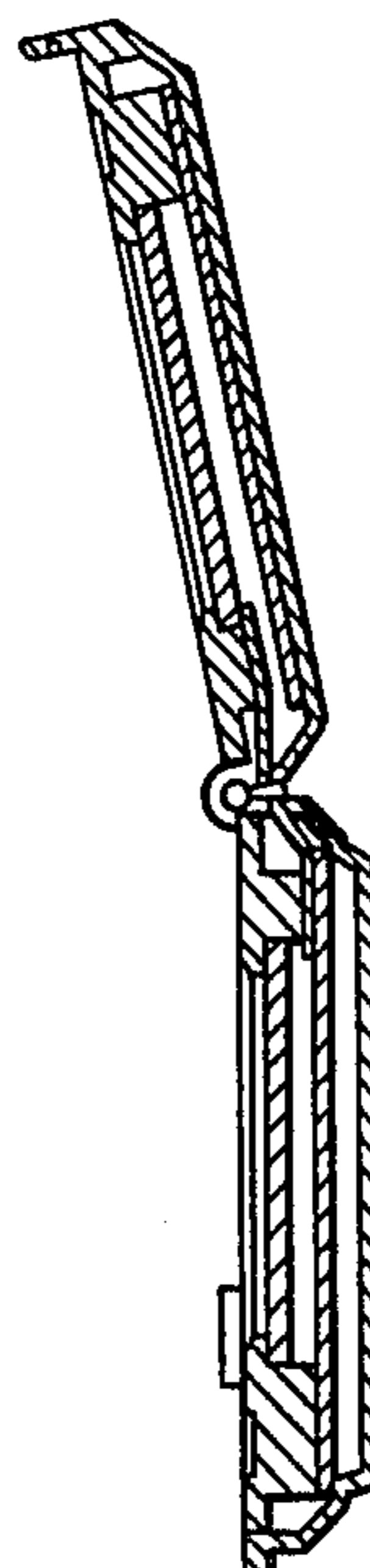


FIG. 4

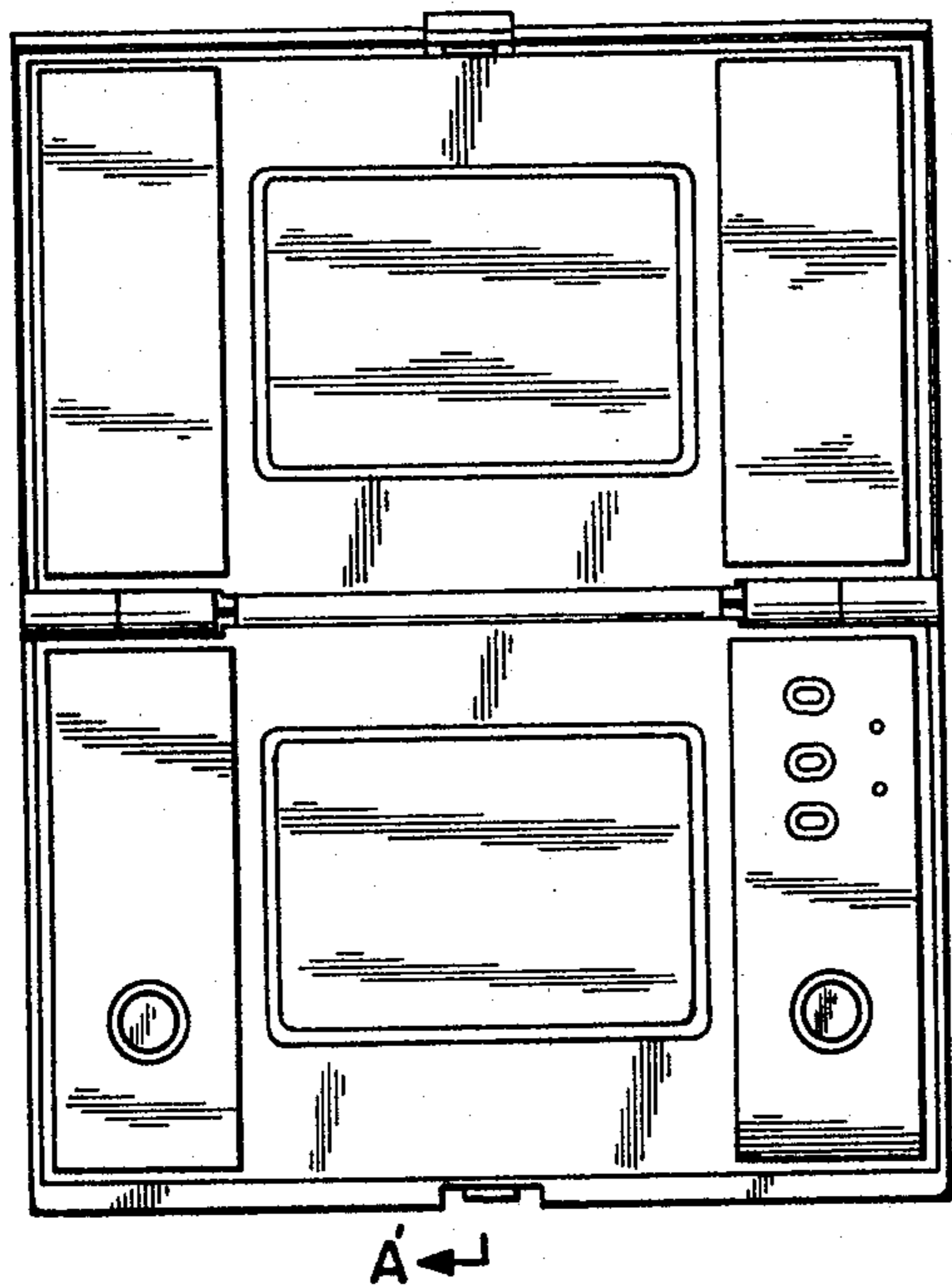


FIG. 6

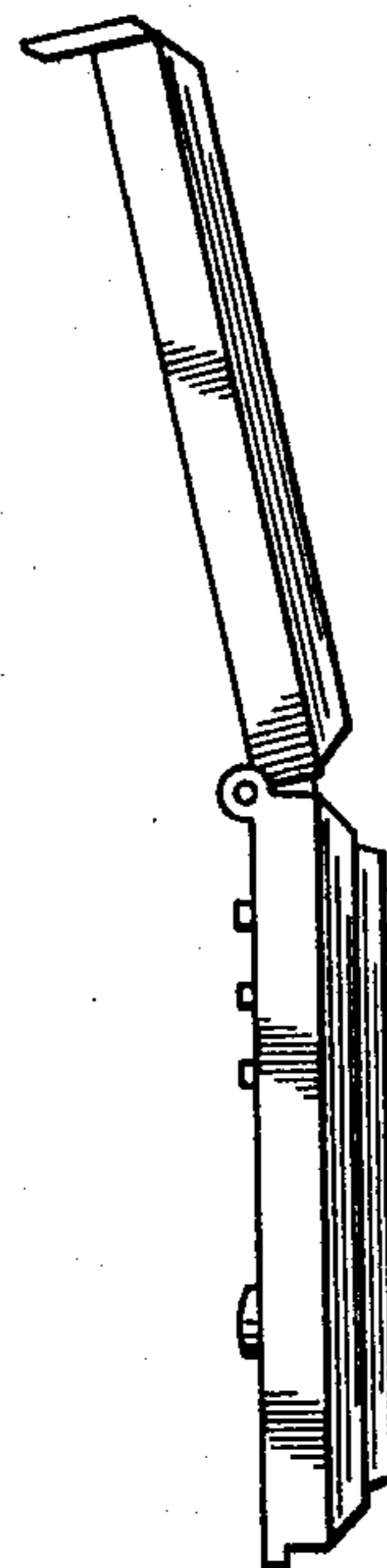


FIG. 3

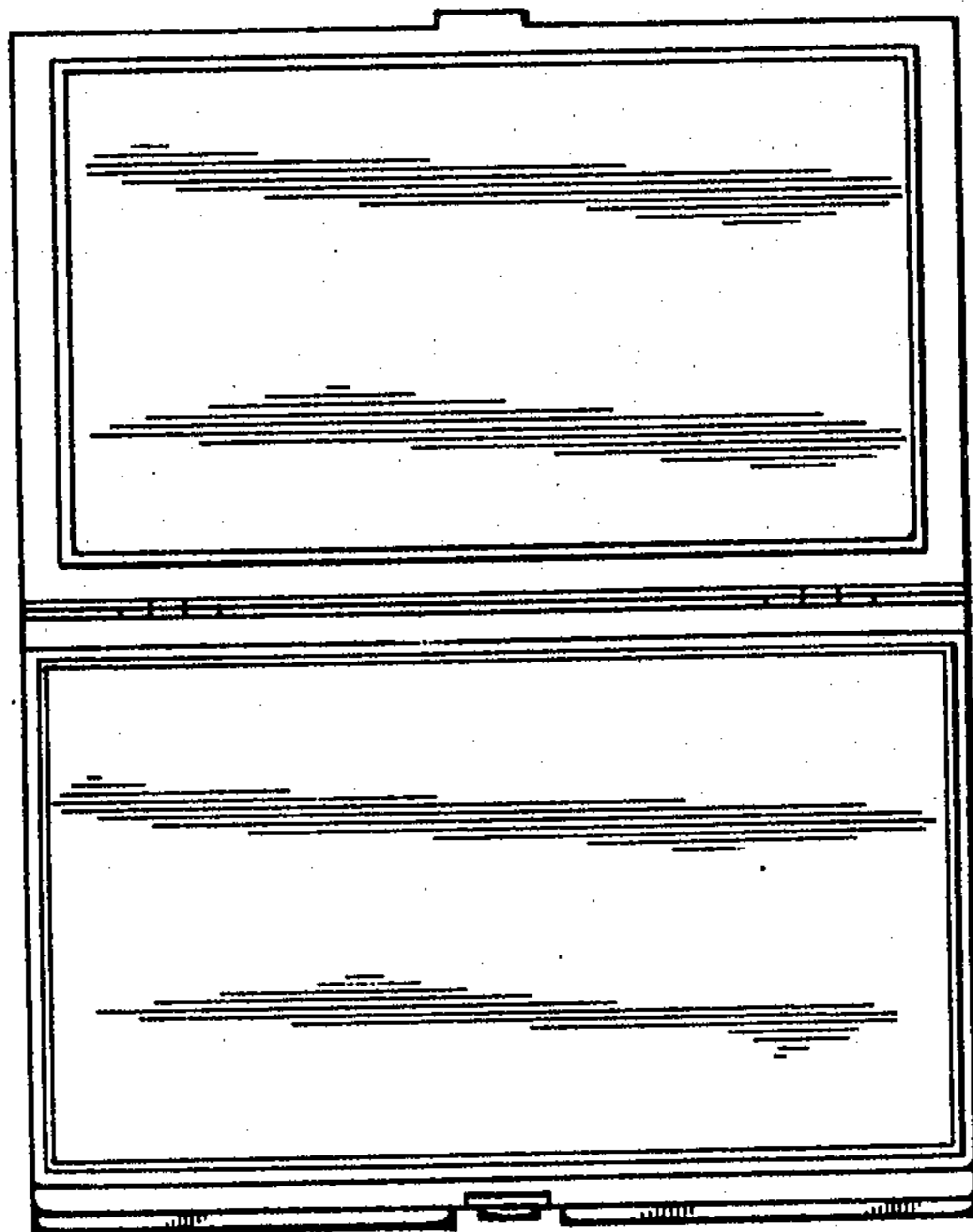


FIG. 5

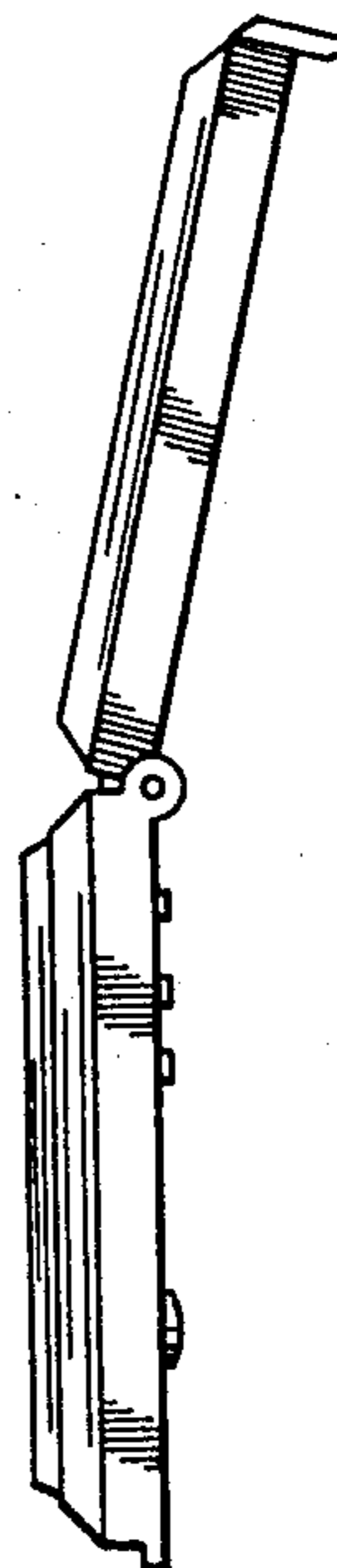


FIG. 8

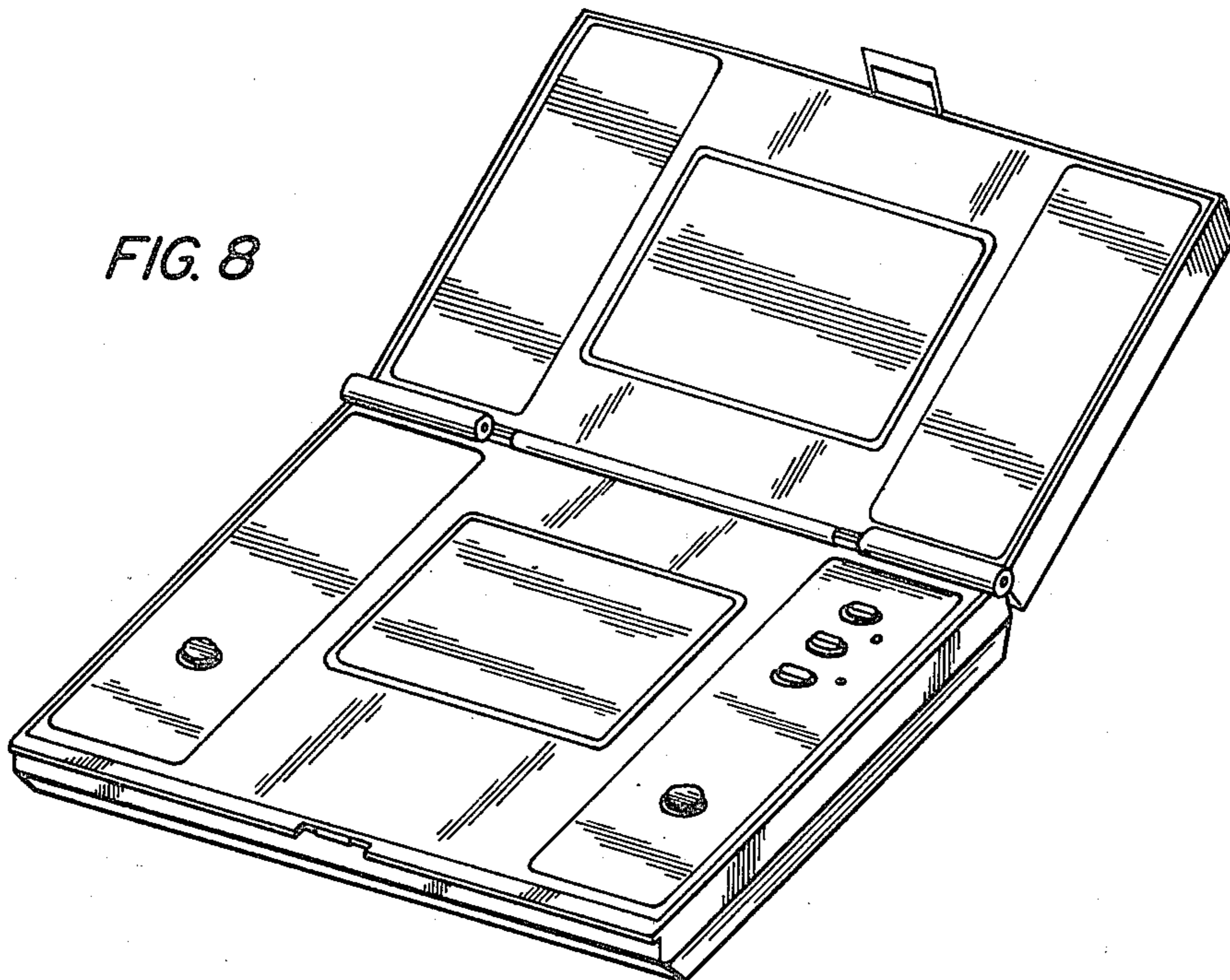


FIG. 15

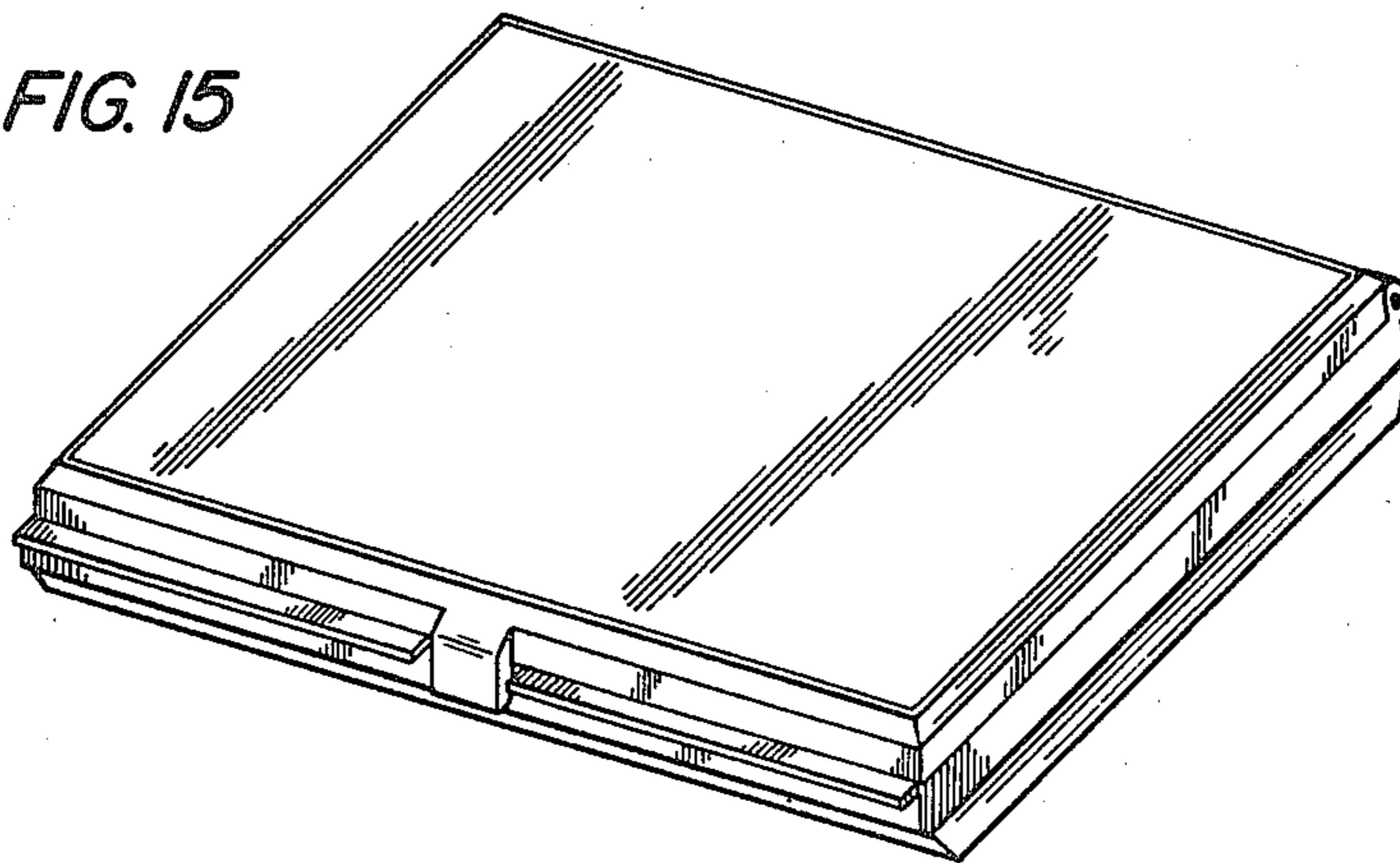


FIG. 9

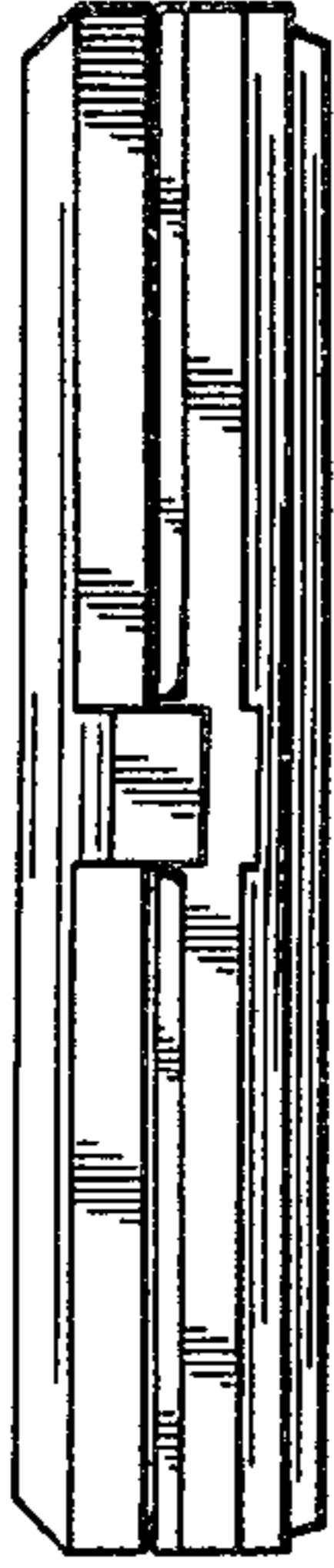


FIG. 10



FIG. 14



FIG. 13

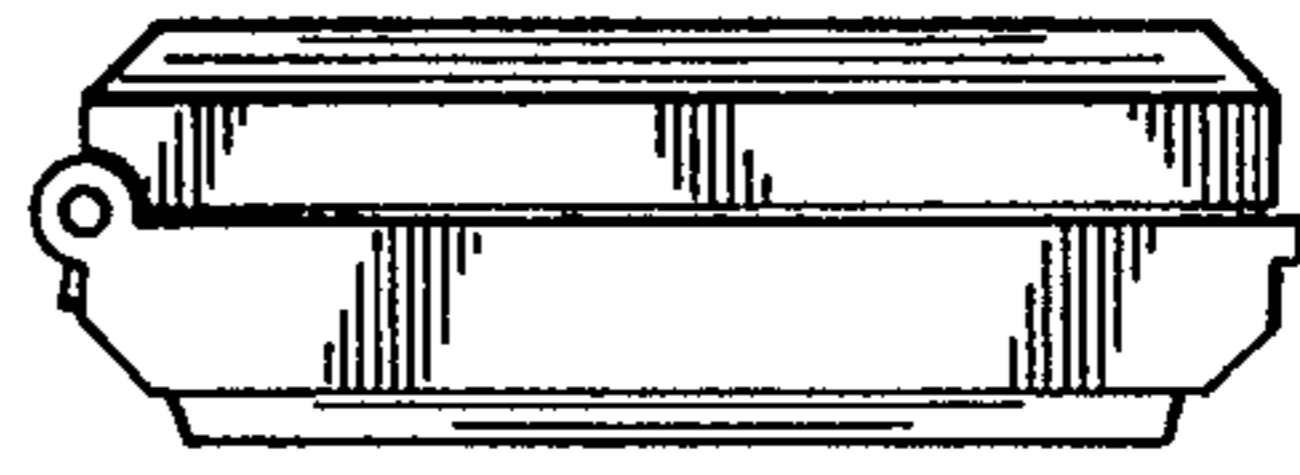


FIG. 12

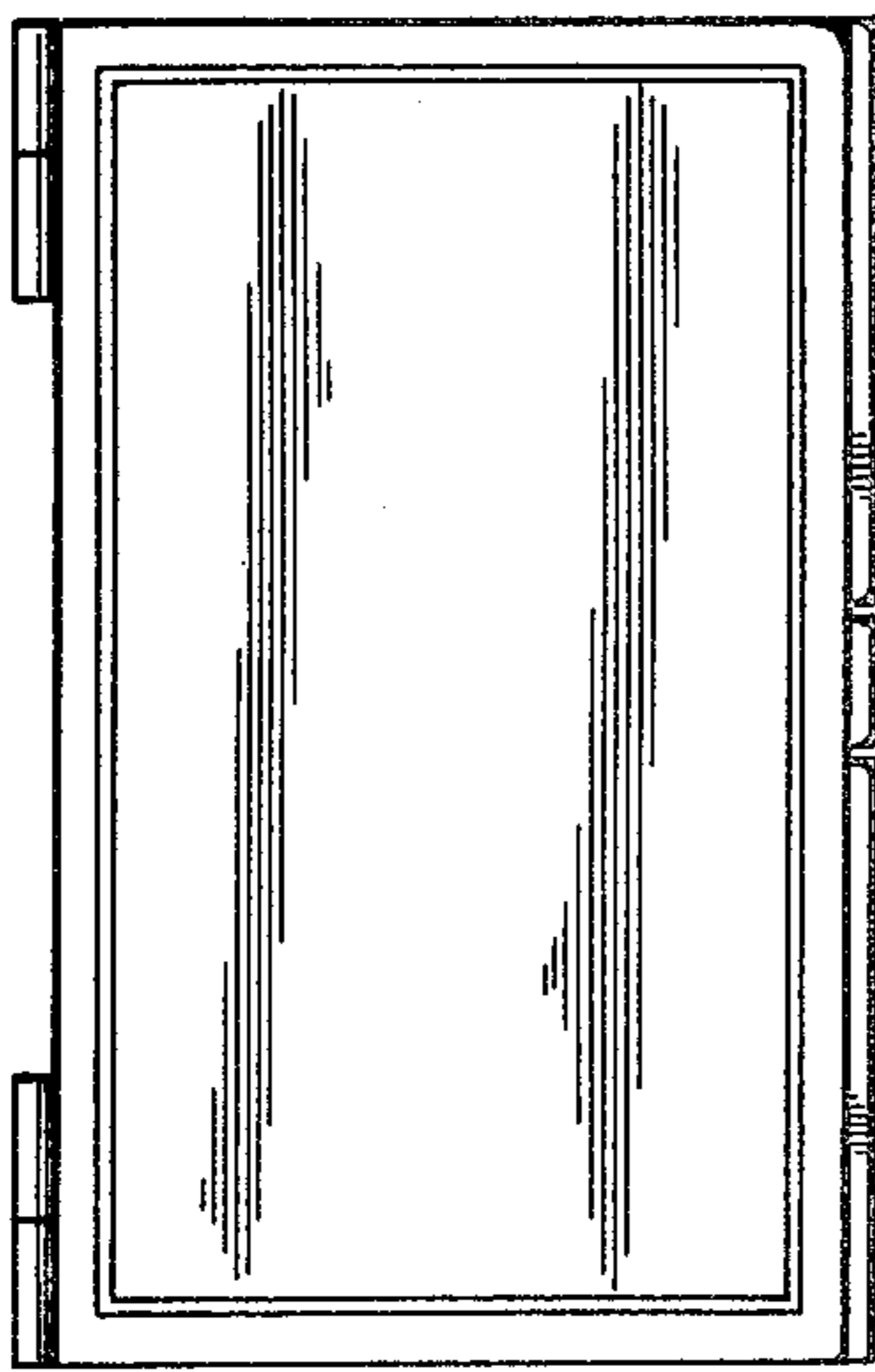


FIG. 11

