

[54] CARTRIDGE FOR A NON-IMPACT PRINTER

[75] Inventor: Mario Bellini, Milan, Italy

[73] Assignee: Ing. C. Olivetti & C., S.p.A., Turin, Italy

[\*\*] Term: 14 Years

[21] Appl. No.: 346,757

[22] Filed: Feb. 8, 1982

[52] U.S. Cl. .... D18/22

[58] Field of Search ..... D18/12, 13, 22, 99; D14/11; 400/126; 346/140 R, 140 D, 140 PD

[56] References Cited

U.S. PATENT DOCUMENTS

- D. 264,349 5/1982 Huliba et al. .... D18/22
- 2,734,099 2/1956 Cahoon et al. .... 346/140 X
- 4,332,487 6/1982 Bovio et al. .... 400/126

4,356,499 10/1982 Kodama ..... 346/140 IJ

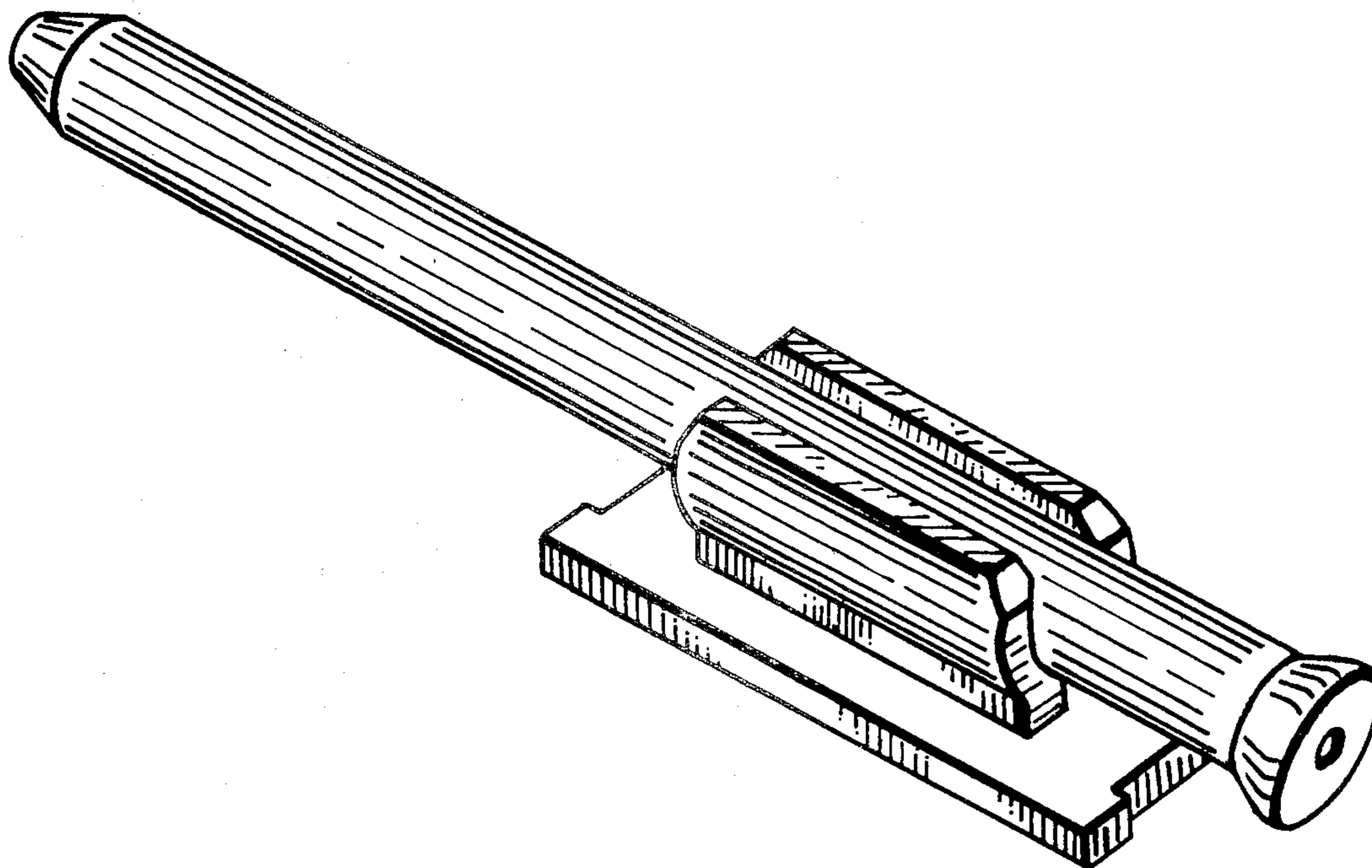
Primary Examiner—Louis S. Zarfes  
Attorney, Agent, or Firm—Banner, Birch, McKie & Beckett

[57] CLAIM

The ornamental design for a cartridge for a non-impact printer, substantially as shown.

DESCRIPTION

FIG. 1 is a top plan view of a cartridge for a non impact printer showing my new design;  
 FIG. 2 is a left side elevational view thereof;  
 FIG. 3 is a right side elevational view thereof;  
 FIG. 4 is a front elevational view thereof;  
 FIG. 5 is a rear elevational view thereof;  
 FIG. 6 is a bottom plan view thereof.  
 FIG. 7 is a front and left perspective view thereof; and  
 FIG. 8 is a rear bottom and left perspective view thereof.



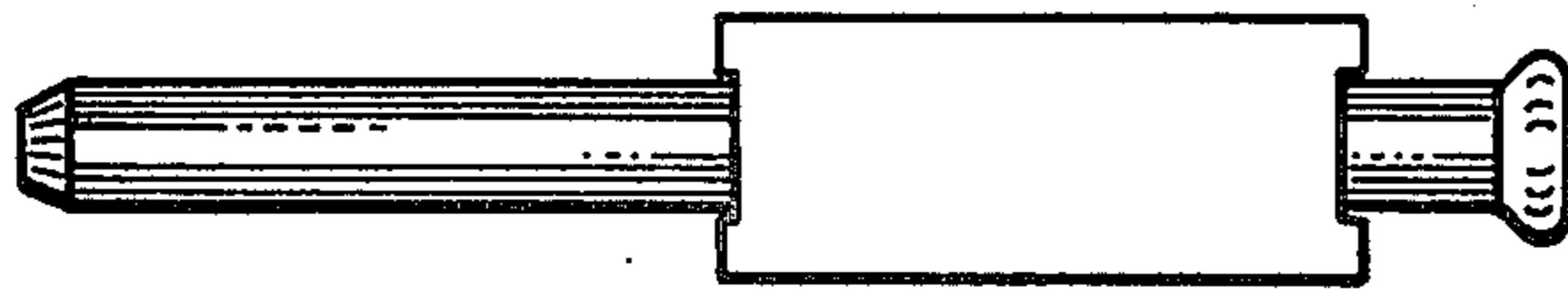


FIG. 1

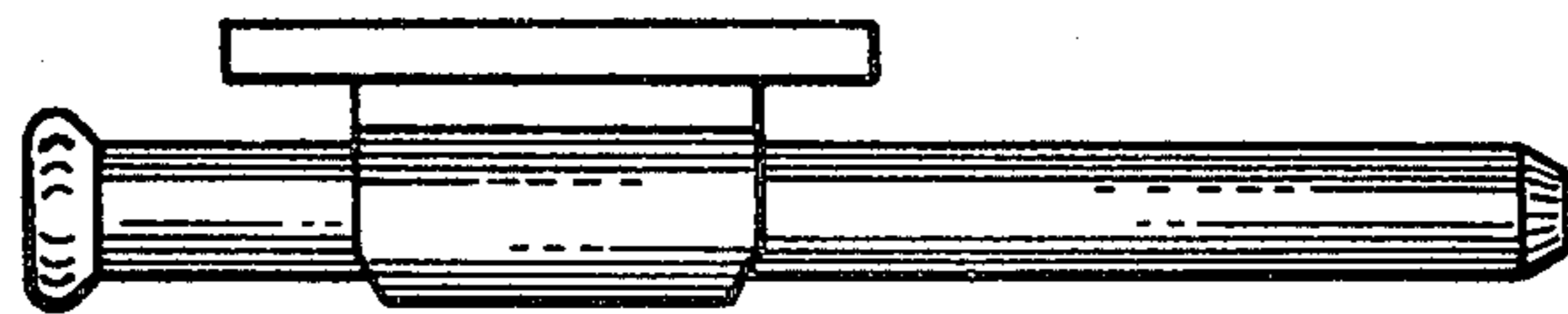


FIG. 2

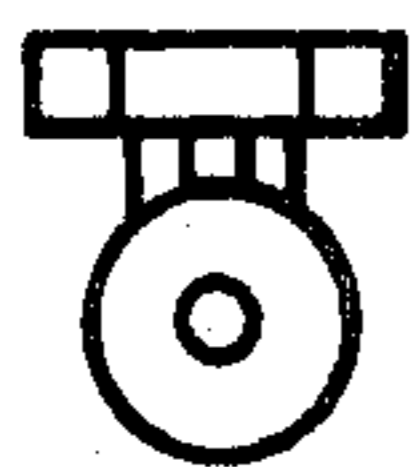


FIG. 5



FIG. 3

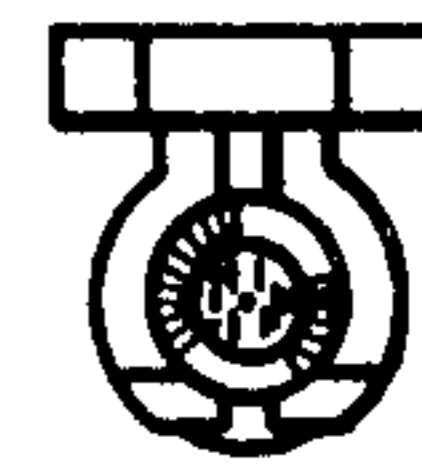


FIG. 4

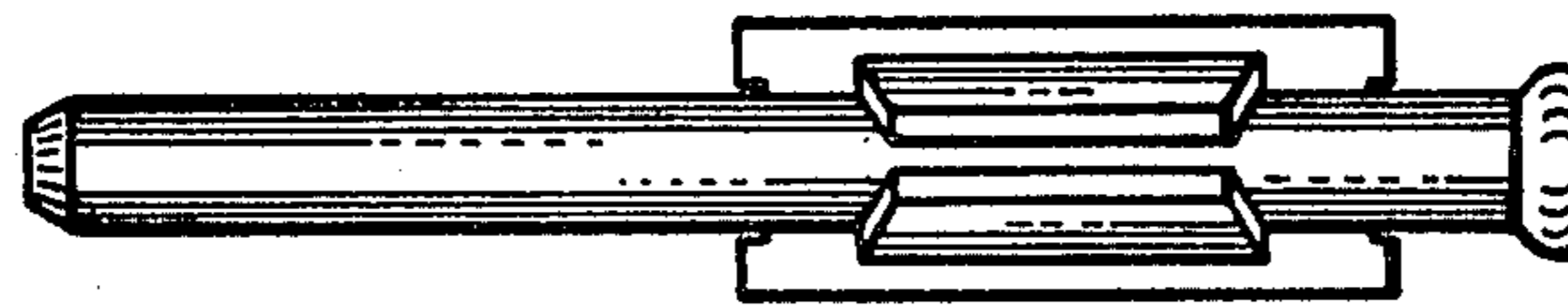


FIG. 6

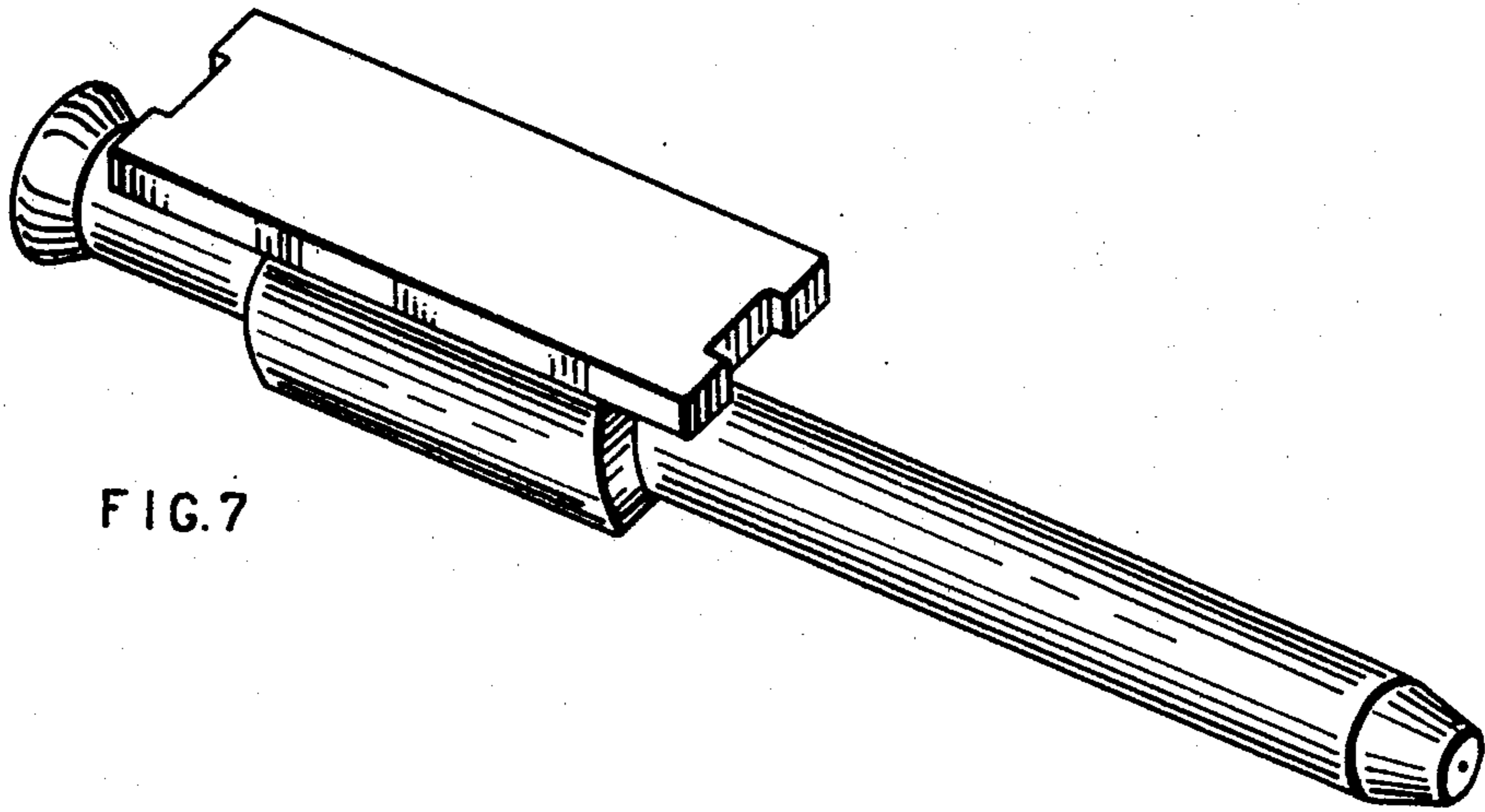


FIG. 7

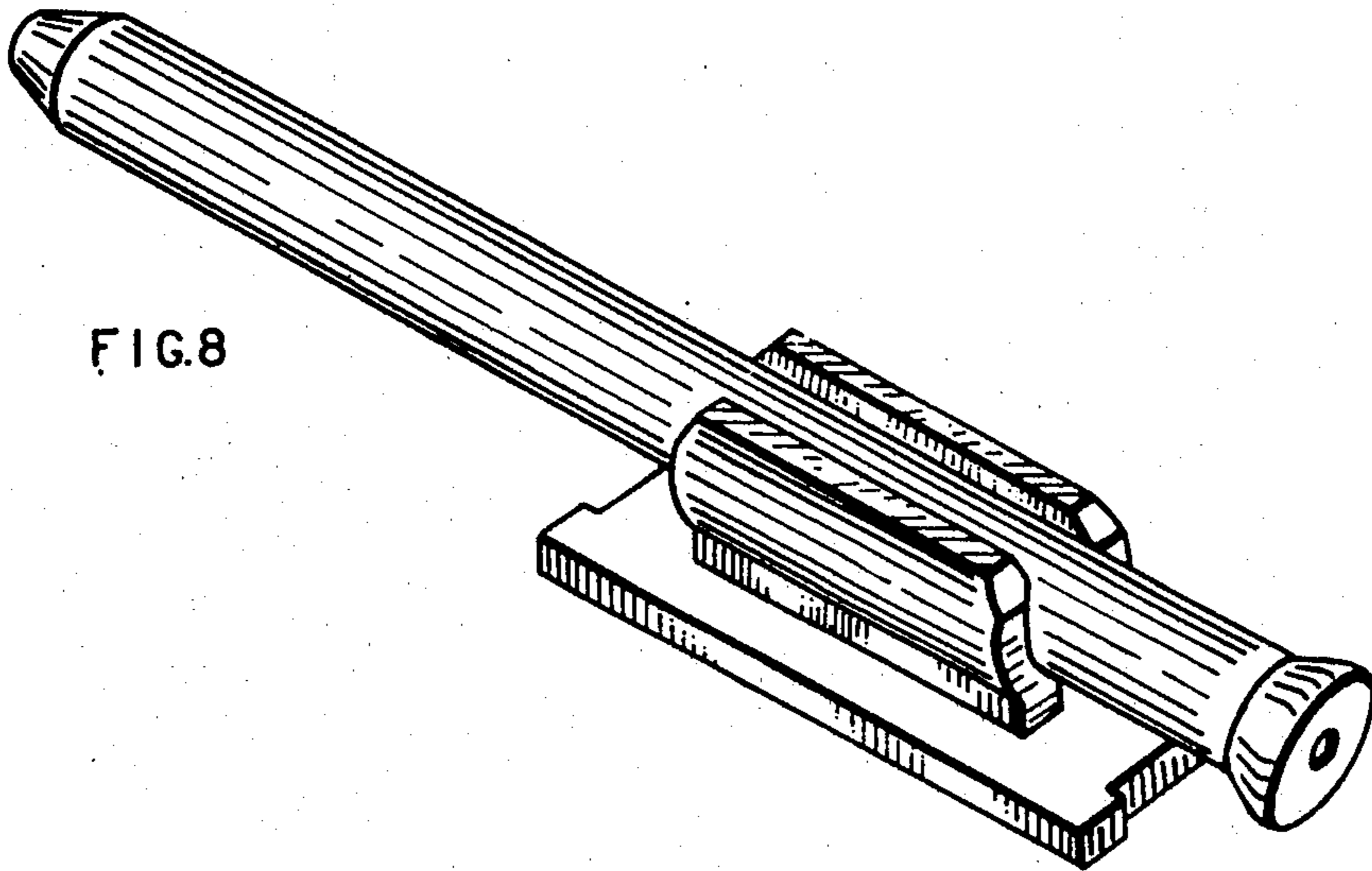


FIG. 8