

[54] PORTABLE ICE PLANT

[75] Inventor: Daniel E. Burns, Camarillo, Calif.

[73] Assignee: Demco Inc., Oxnard, Calif.

[\*\*] Term: 14 Years

[21] Appl. No.: 402,047

[22] Filed: Jul. 26, 1982

[52] U.S. Cl. .... D15/80

[58] Field of Search ..... D15/79, 80, 81;  
312/236; 62/340, 344, 135

[56] References Cited

U.S. PATENT DOCUMENTS

2,528,795 11/1950 Shontz ..... D15/80

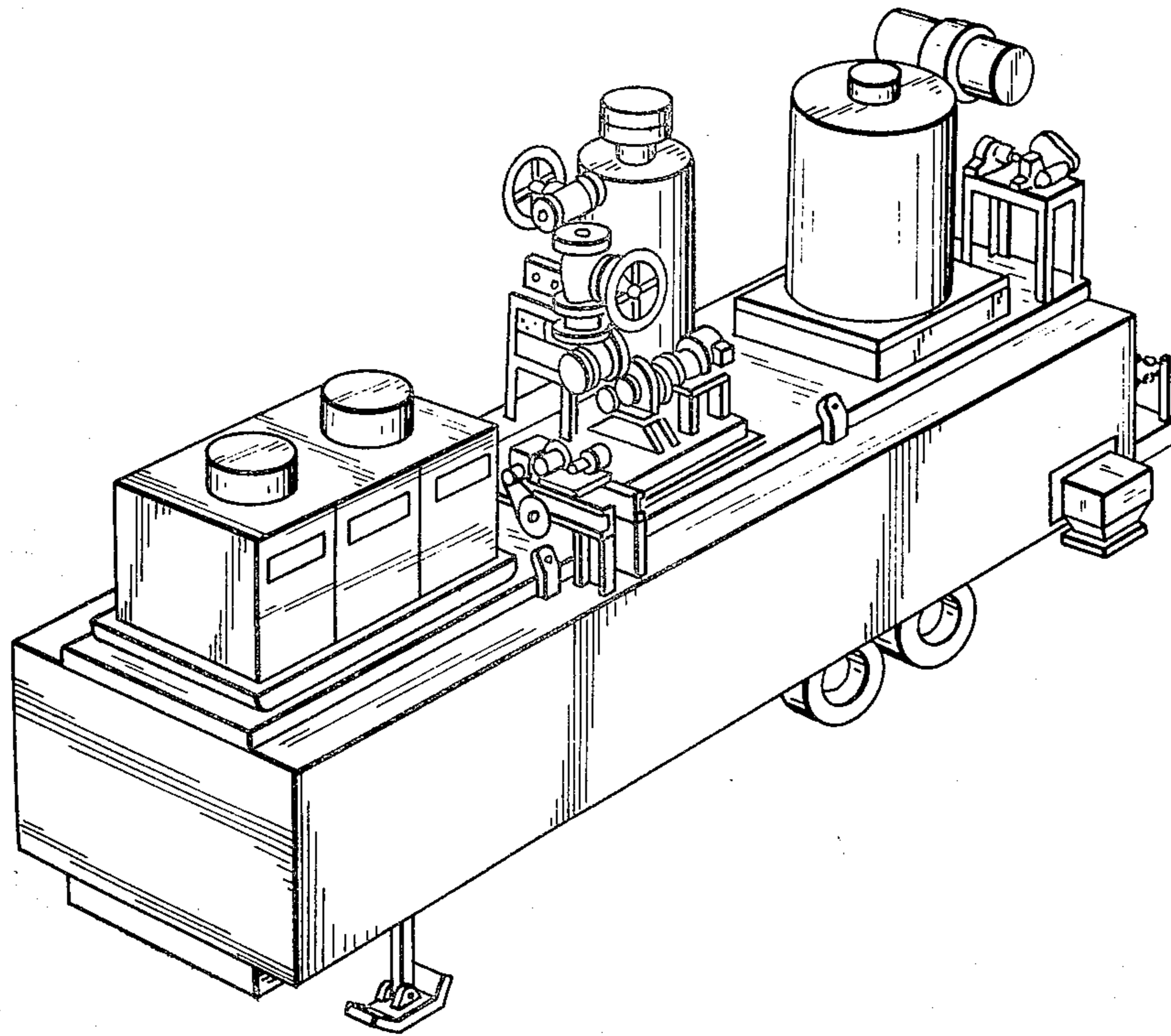
Primary Examiner—Wallace R. Burke  
Assistant Examiner—Lynn Wilder  
Attorney, Agent, or Firm—Ralph B. Pastoriza

[57] CLAIM

The ornamental design for a portable ice plant, substantially as shown.

DESCRIPTION

FIG. 1 is a front 3/4 quarter perspective view of a portable ice plant showing my new design;  
FIG. 2 is a right side elevational view thereof;  
FIG. 3 is a front elevational view thereof;  
FIG. 4 is a rear elevational view thereof;  
FIG. 5 is a top plan view thereof; and,  
FIG. 6 is a bottom plan view thereof.



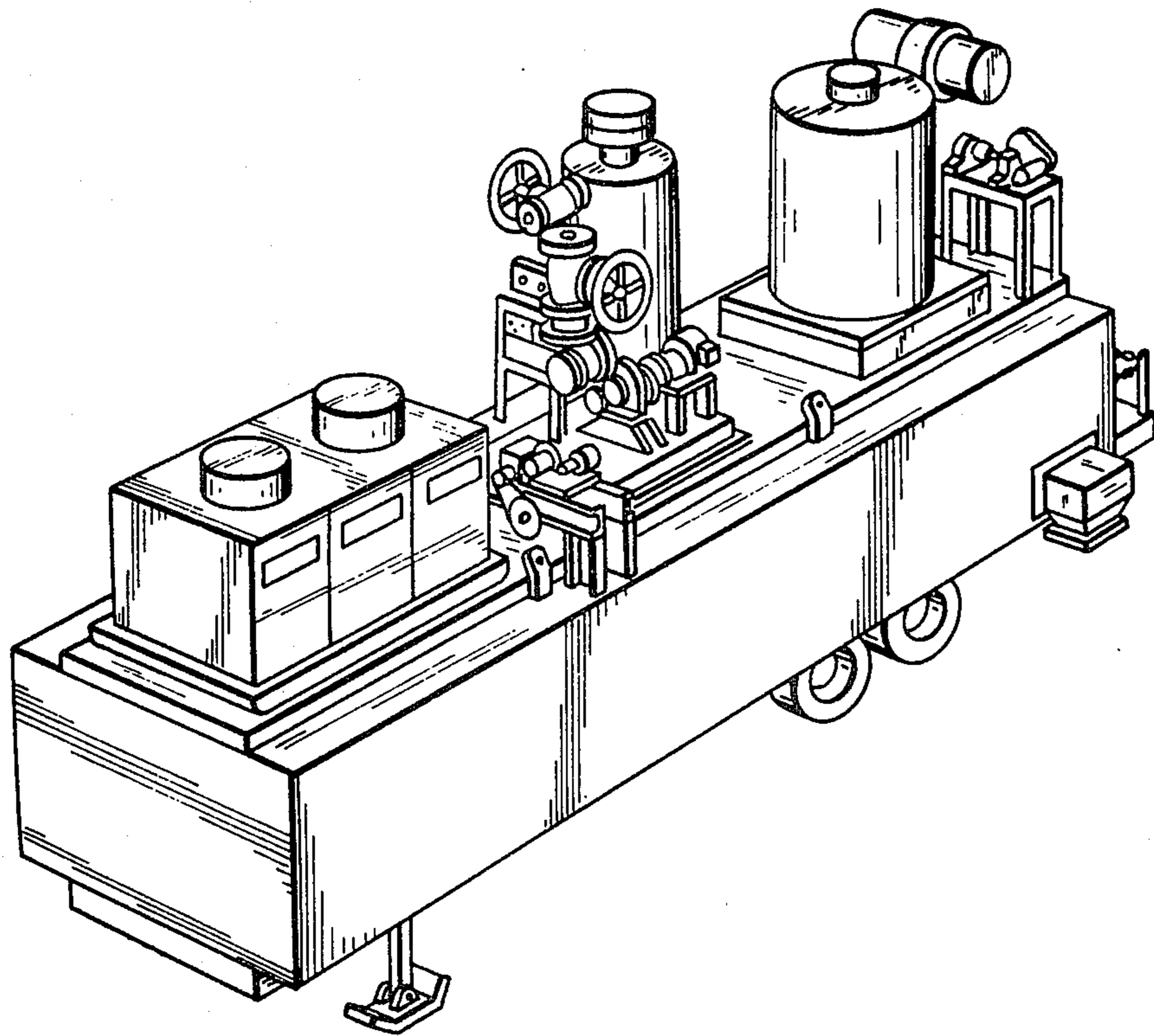


FIG. 1

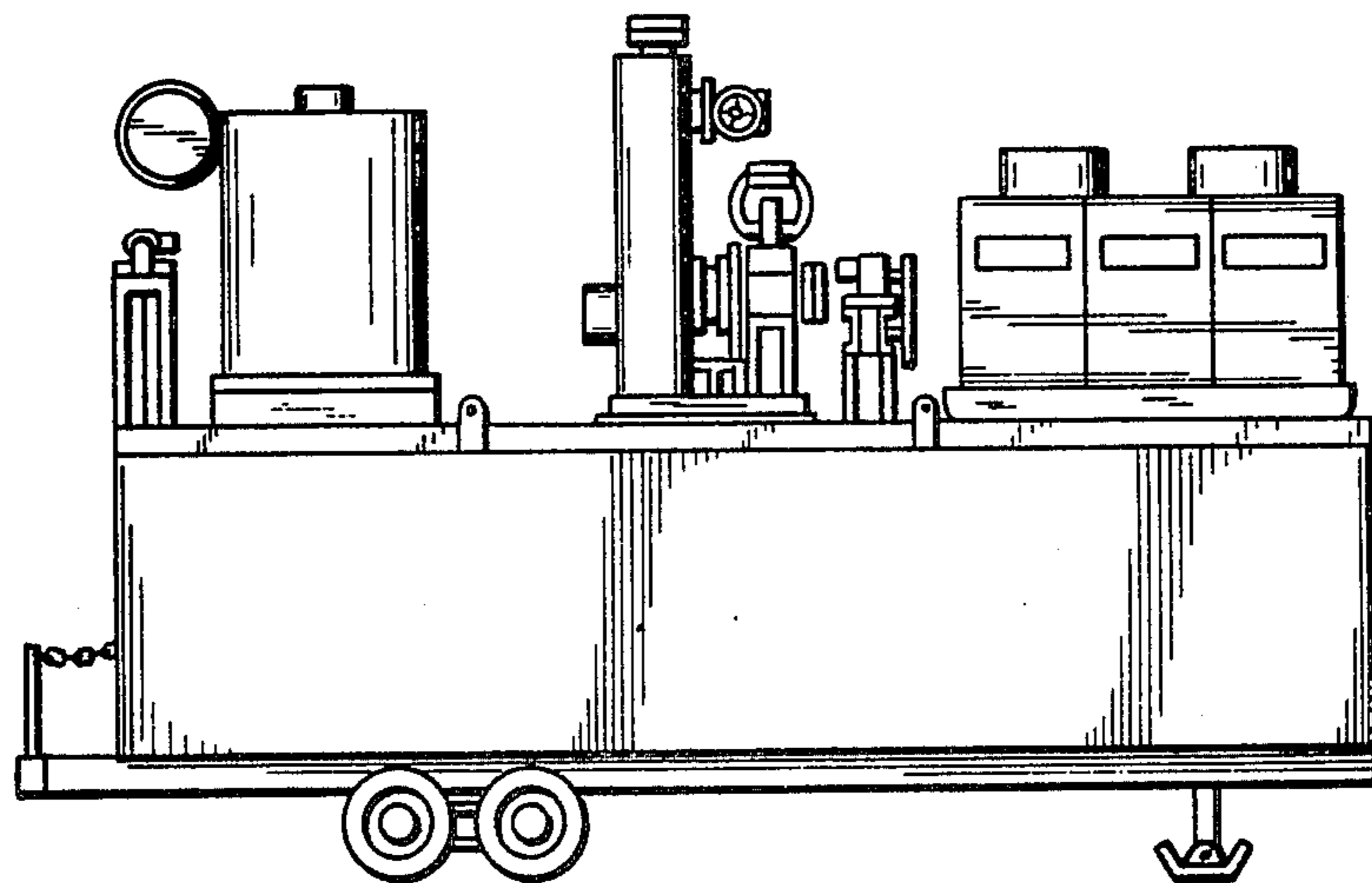


FIG. 2

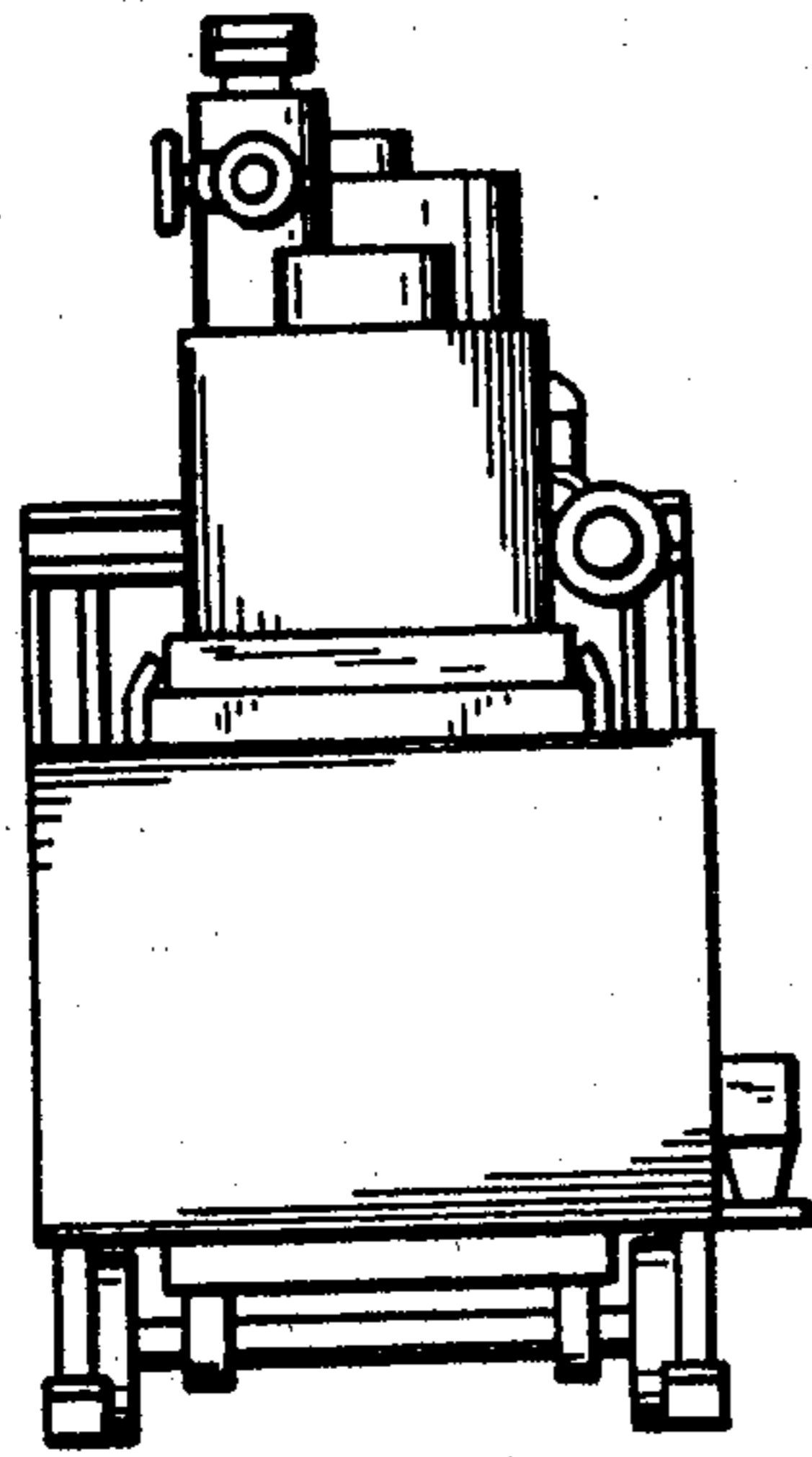


FIG. 3

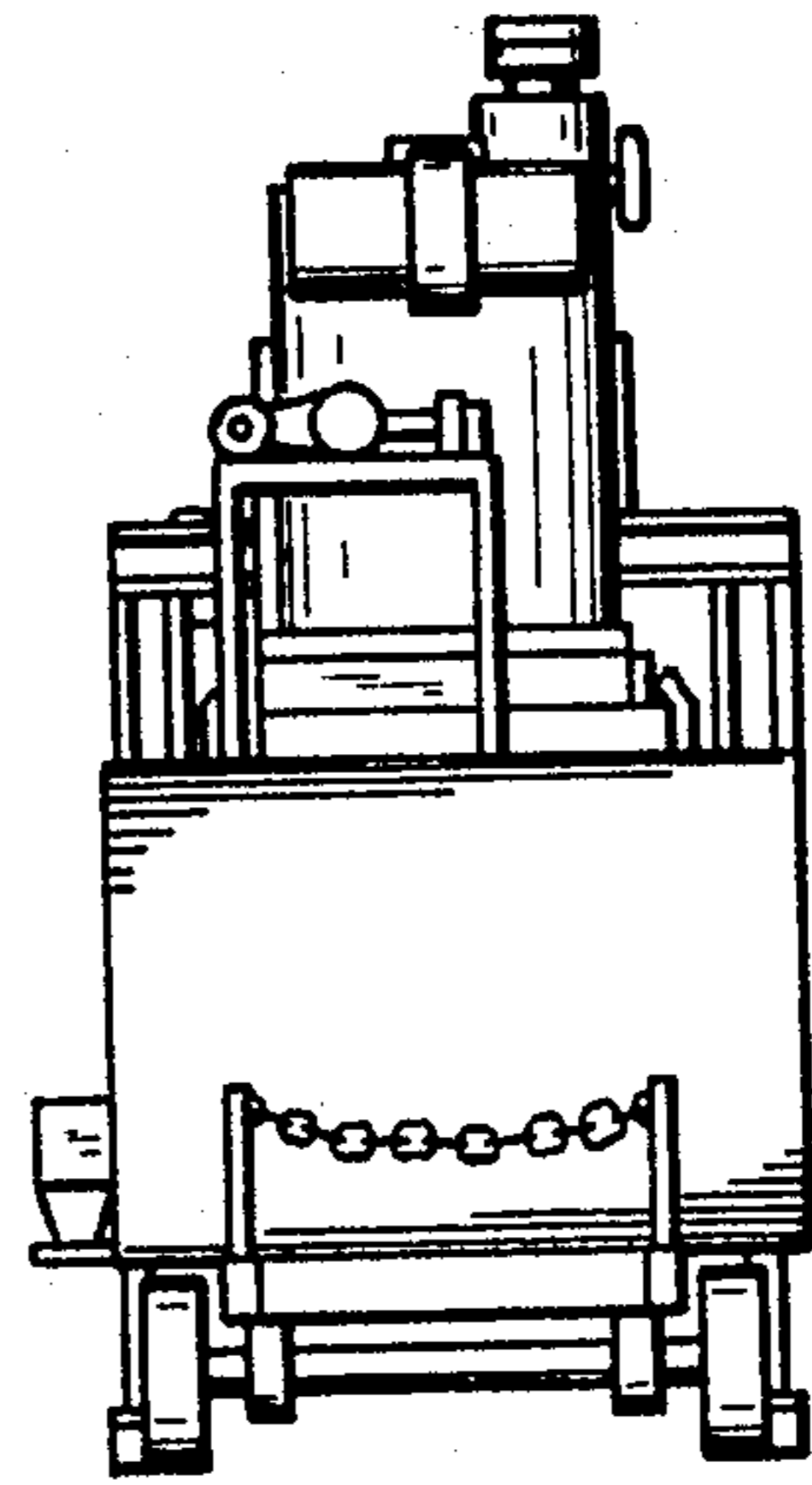


FIG. 4

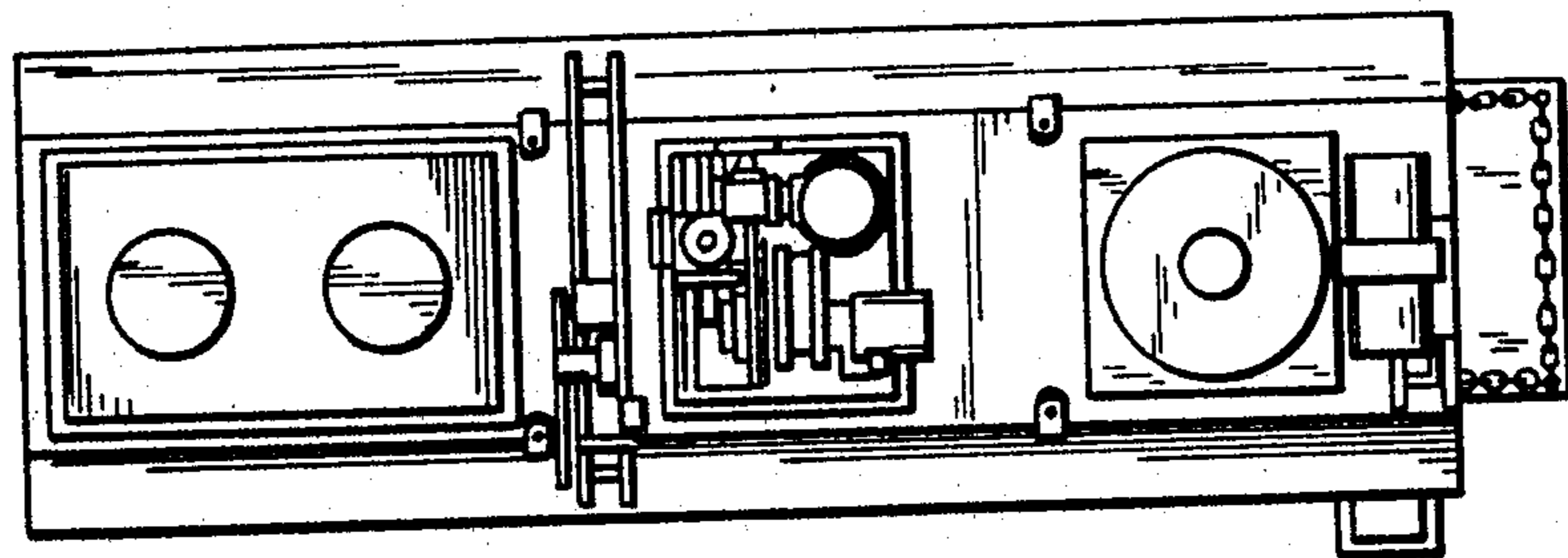


FIG. 5

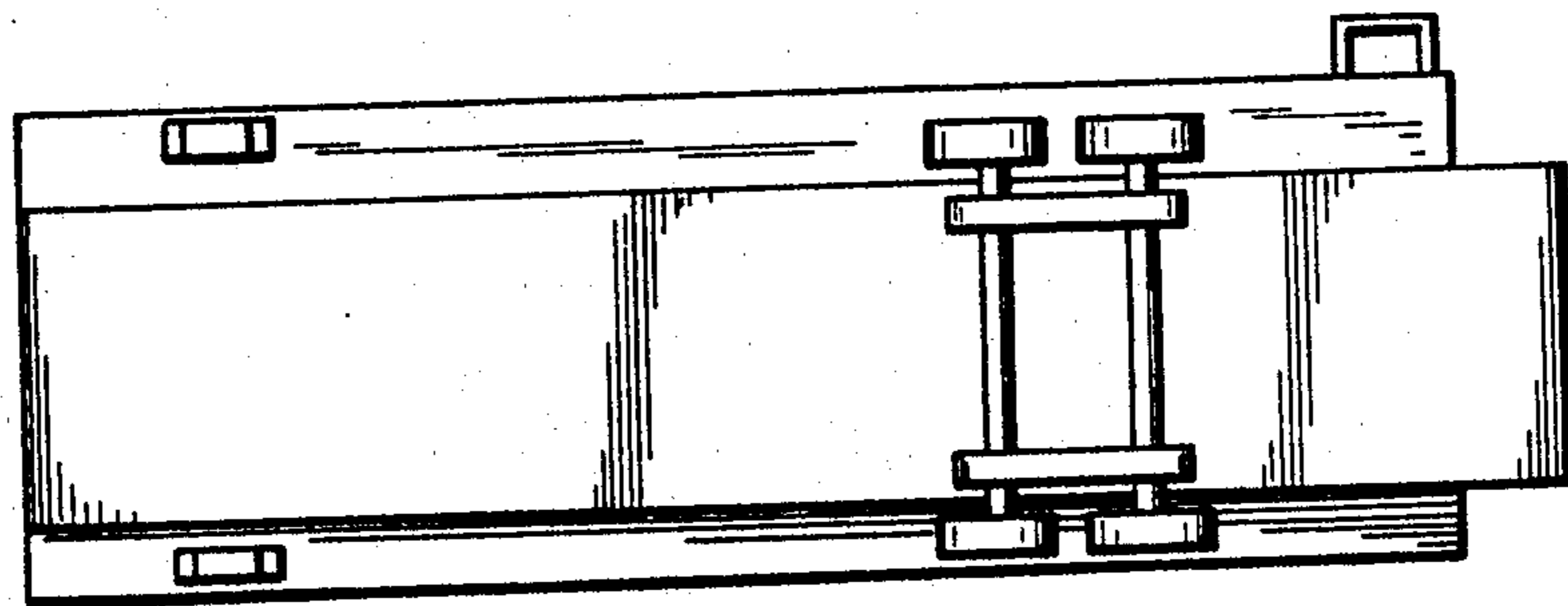


FIG. 6