

[54] FLUORESCENT LAMP ADAPTER WITH INTEGRAL DIFFUSER STUD

[75] Inventor: Usman U. Vakil, Diamond Bar, Calif.

[73] Assignee: Lights of America, Inc., City of Industry, Calif.

[\*\*] Term: 14 Years

[21] Appl. No.: 330,557

[22] Filed: Dec. 14, 1981

[52] U.S. Cl. .... D13/25; D26/3; D26/26

[58] Field of Search ..... D26/3, 26, 75, 79; 313/110, 634, 493, 318; 315/41, 53, 54, 56, 59, 62, 65, 70, 75, 58; 362/216, 226; D13/25

[56] References Cited

U.S. PATENT DOCUMENTS  
4,173,730 11/1979 Young et al. .... 315/53

FOREIGN PATENT DOCUMENTS

70583 2/1950 Denmark ..... 362/216  
505067 12/1954 Italy ..... 362/216

OTHER PUBLICATIONS

Lighting Design & Application, Jul. 1979, p. 63, General Electric Co. Fluorescent Lamp Adapter.

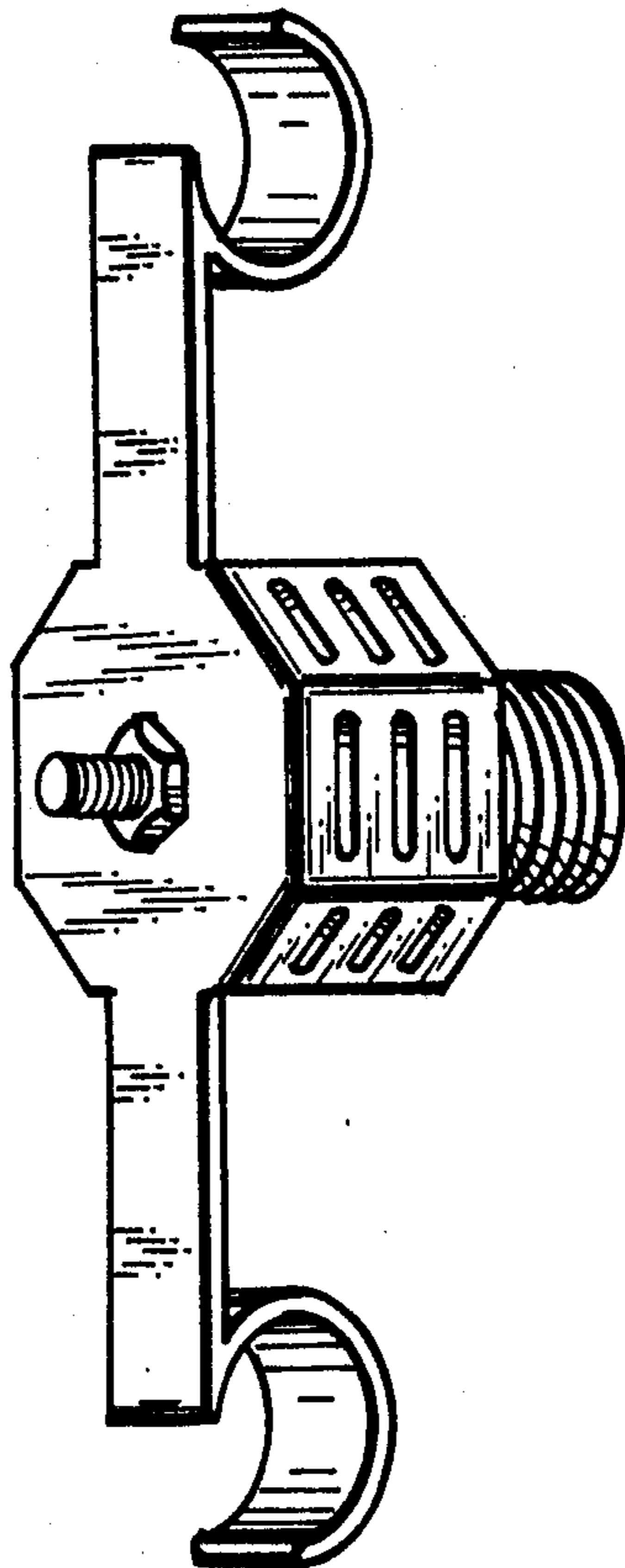
Primary Examiner—Susan J. Lucas  
Attorney, Agent, or Firm—Roger C. Turner

[57] CLAIM

The ornamental design for a fluorescent lamp adapter with integral diffuser stud, substantially as shown and described.

DESCRIPTION

FIG. 1 is a top perspective view of a fluorescent lamp adapter with integral diffuser stud showing my new design;  
FIG. 2 is a bottom perspective view thereof;  
FIG. 3 is a top plan view thereof, and  
FIG. 4 is a side elevation view thereof.



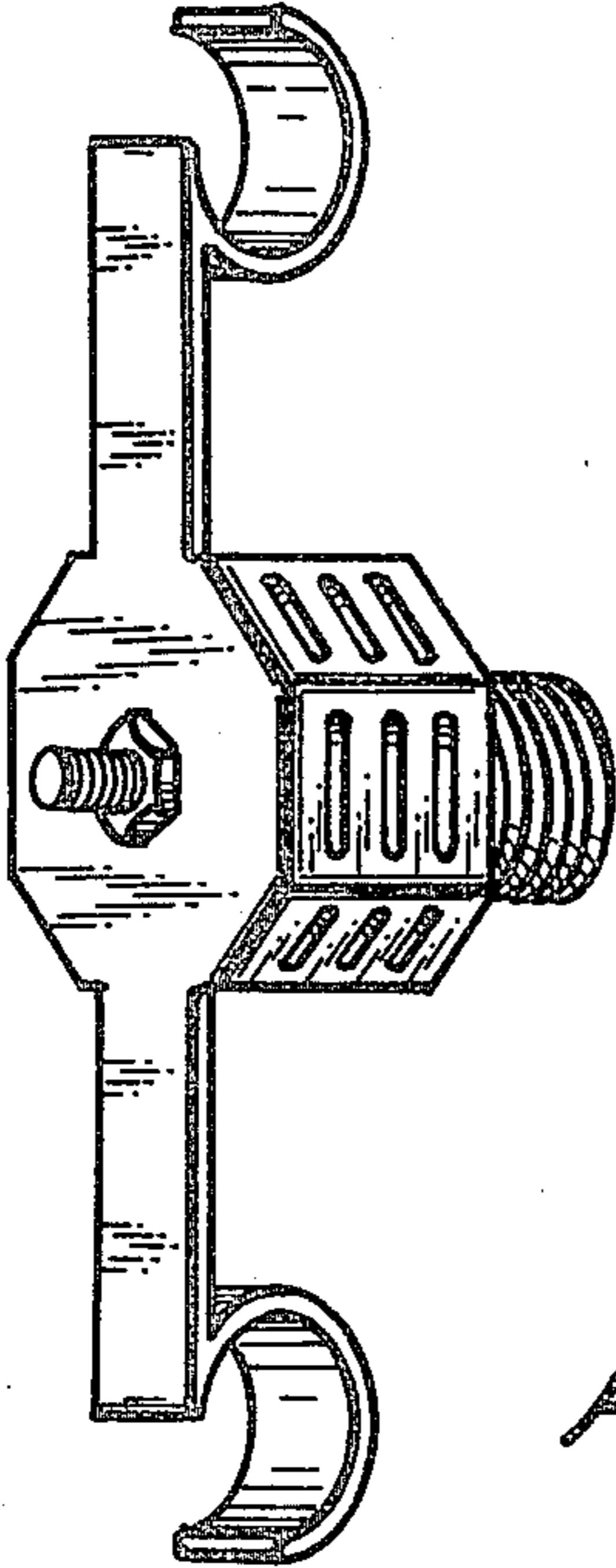


Fig. 1

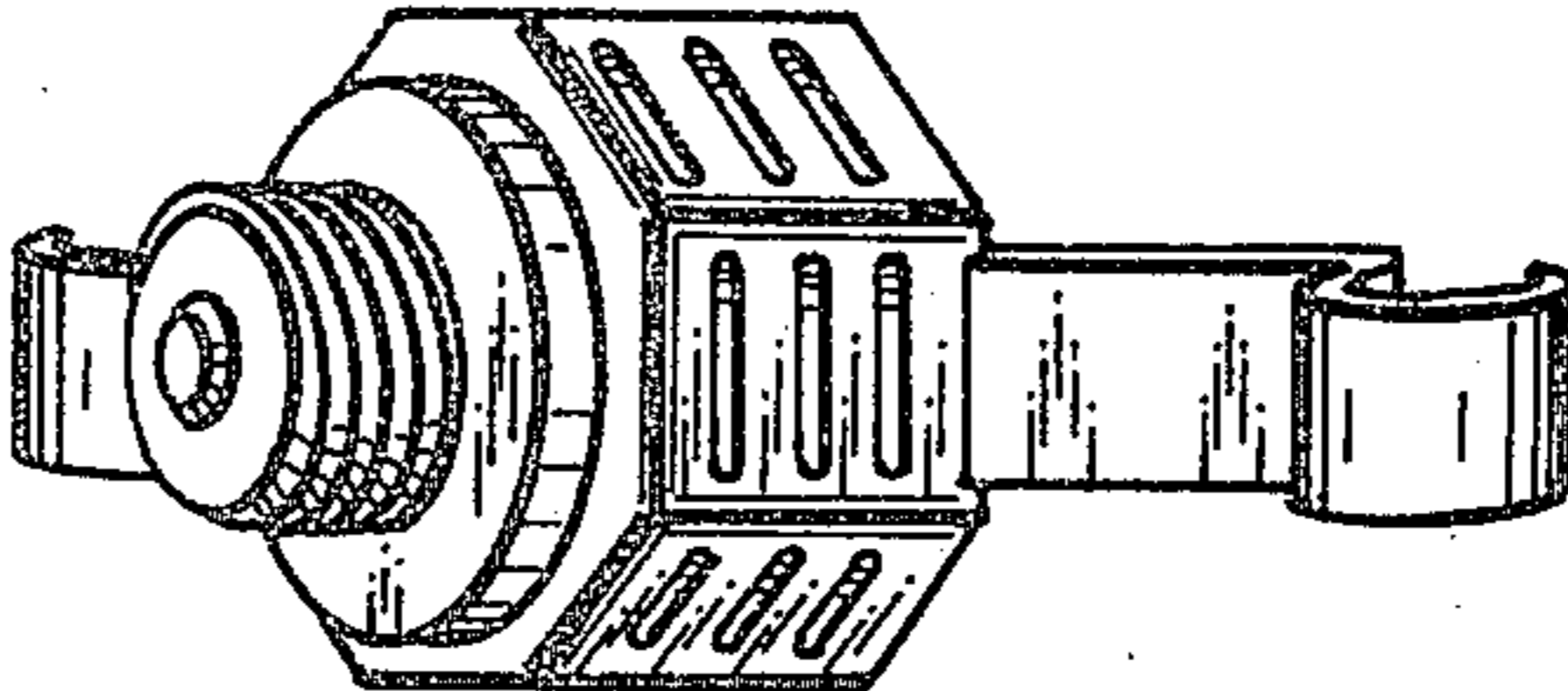


Fig. 2

Fig. 3

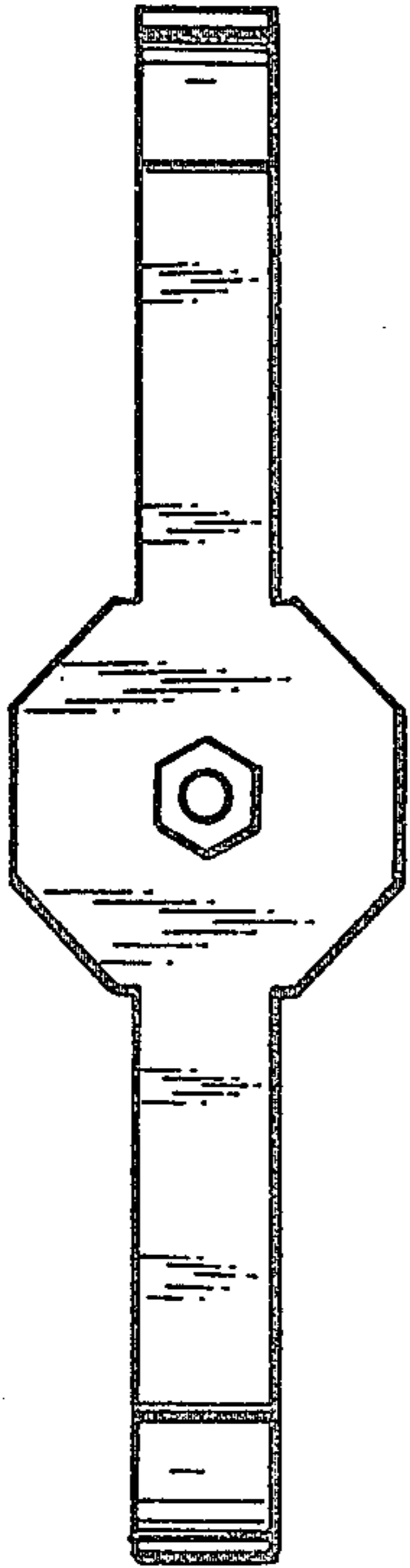


Fig. 4

