

[54] CONTAINER MODULE

[76] Inventors: Alan C. Topor; Nora I. Topor, both of 3838 Mainsail, Westlake Village, Calif. 91361

[\*\*] Term: 14 Years

[21] Appl. No.: 393,027

[22] Filed: Jun. 28, 1982

[52] U.S. Cl. .... D9/300; D9/448

[58] Field of Search ..... D9/300, 448, 337, 373, D9/400, 403, 413, 417; 215/1 R, 1 C; 222/401, 566, 400.5; D21/108

[56] References Cited

U.S. PATENT DOCUMENTS

- D. 188,527 8/1960 Becker ..... D9/300 X
- D. 233,802 11/1974 Saffer, Jr. et al. .... D9/300 X

- D. 238,168 12/1975 Ketcham ..... D21/108 X
- D. 268,325 3/1983 Lang ..... D9/300

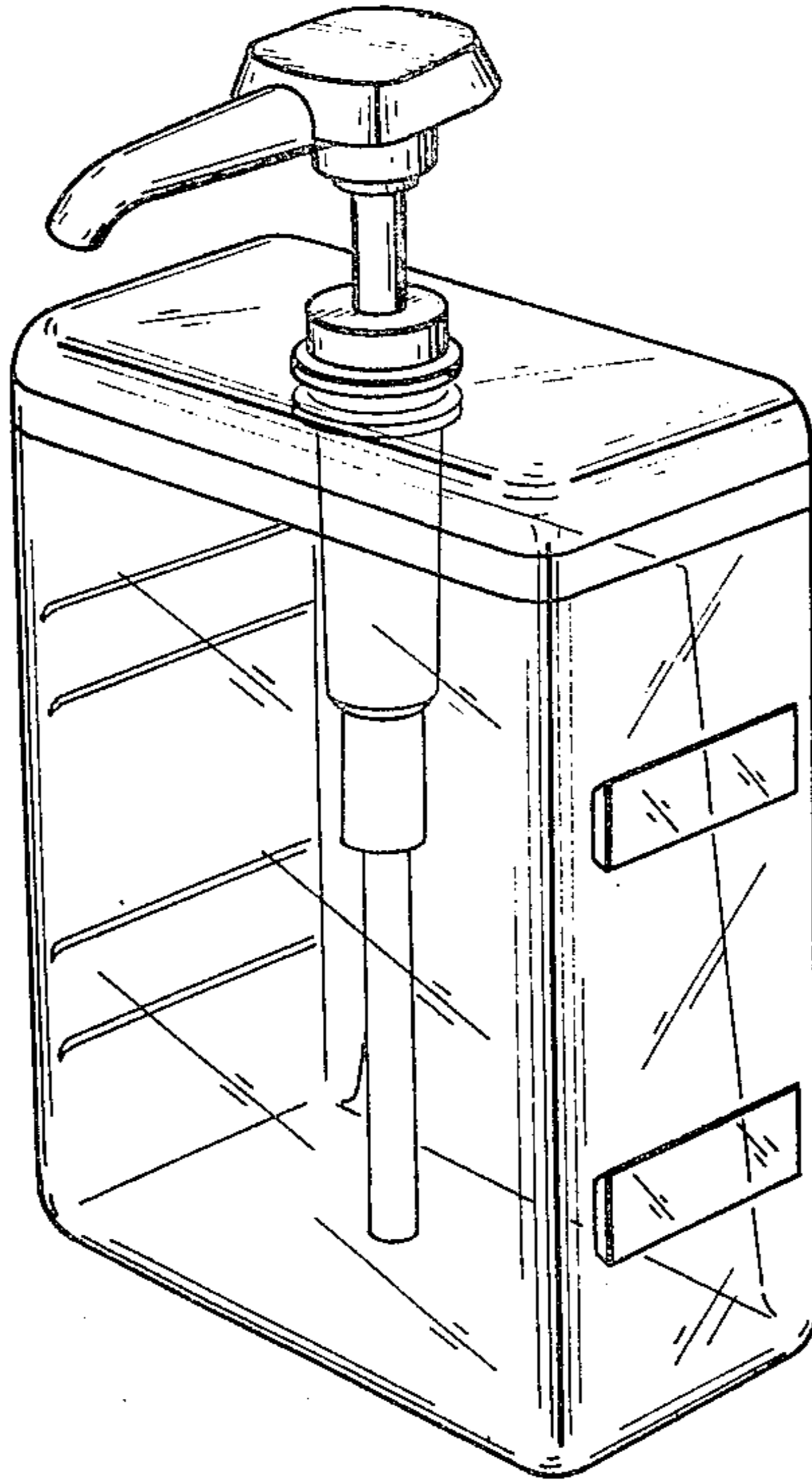
Primary Examiner—Robert C. Spangler  
Attorney, Agent, or Firm—Ralph B. Pastoriza

[57] CLAIM

The ornamental design for a container module, substantially as shown and described.

DESCRIPTION

FIG. 1 is a perspective view of a container module showing our new design;  
 FIG. 2 is a front elevational view thereof;  
 FIG. 3 is a side elevational view thereof;  
 FIG. 4 is a rear elevational view thereof;  
 FIG. 5 is a side elevational view thereof of the side opposite that shown in FIG. 3;  
 FIG. 6 is a top plan view, and,  
 FIG. 7 is a bottom plan view thereof.



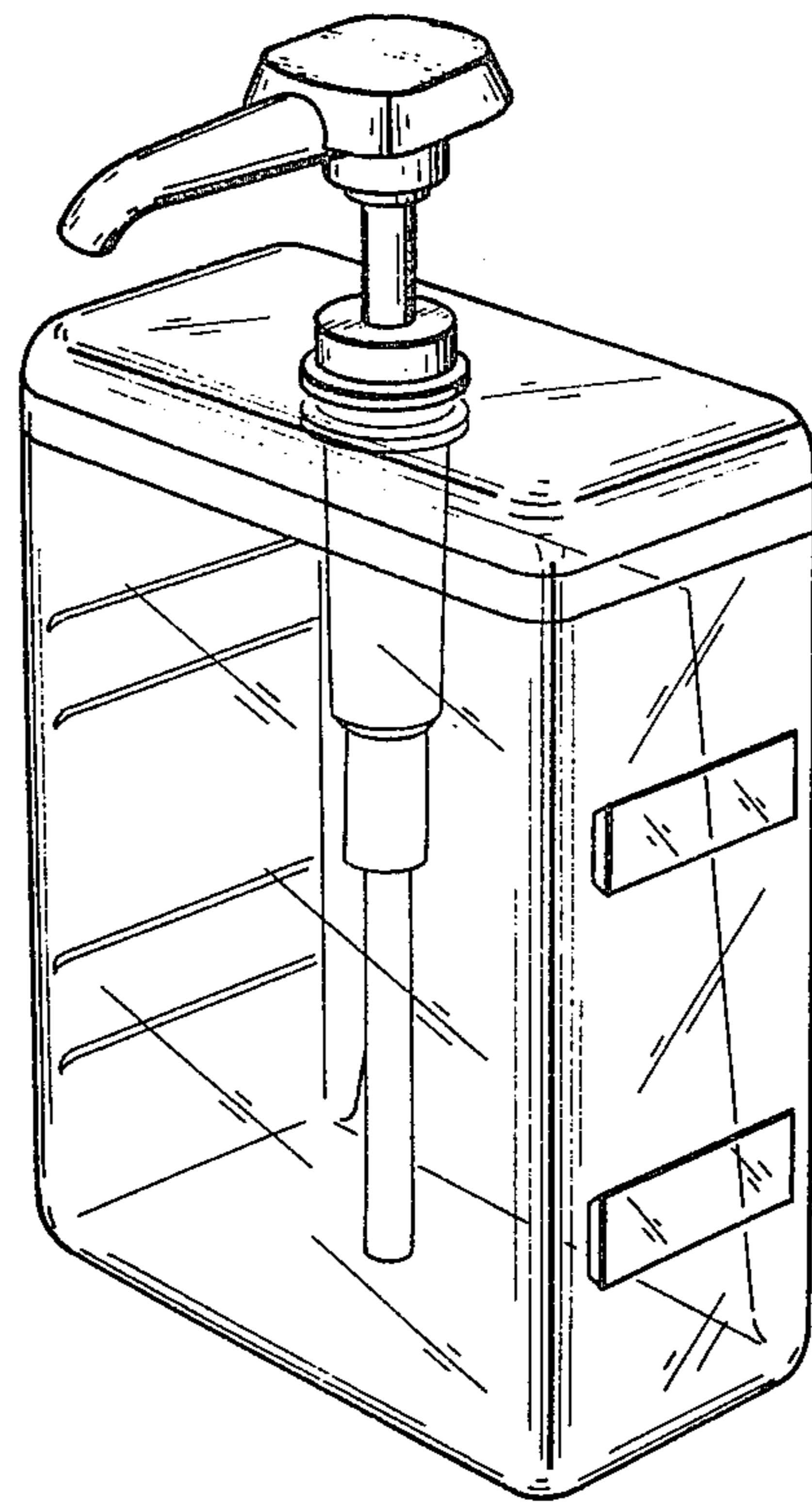


FIG. 1

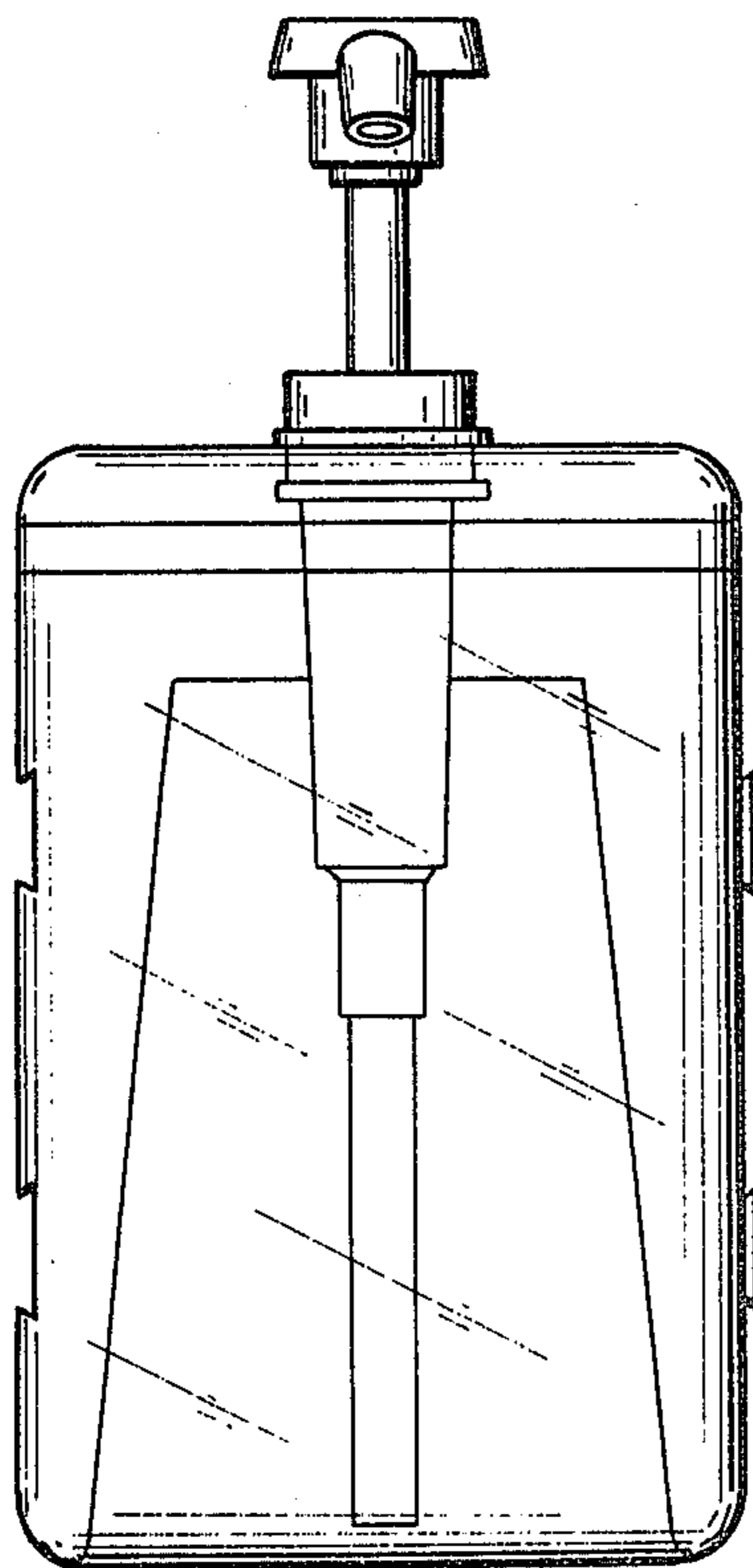


FIG. 2

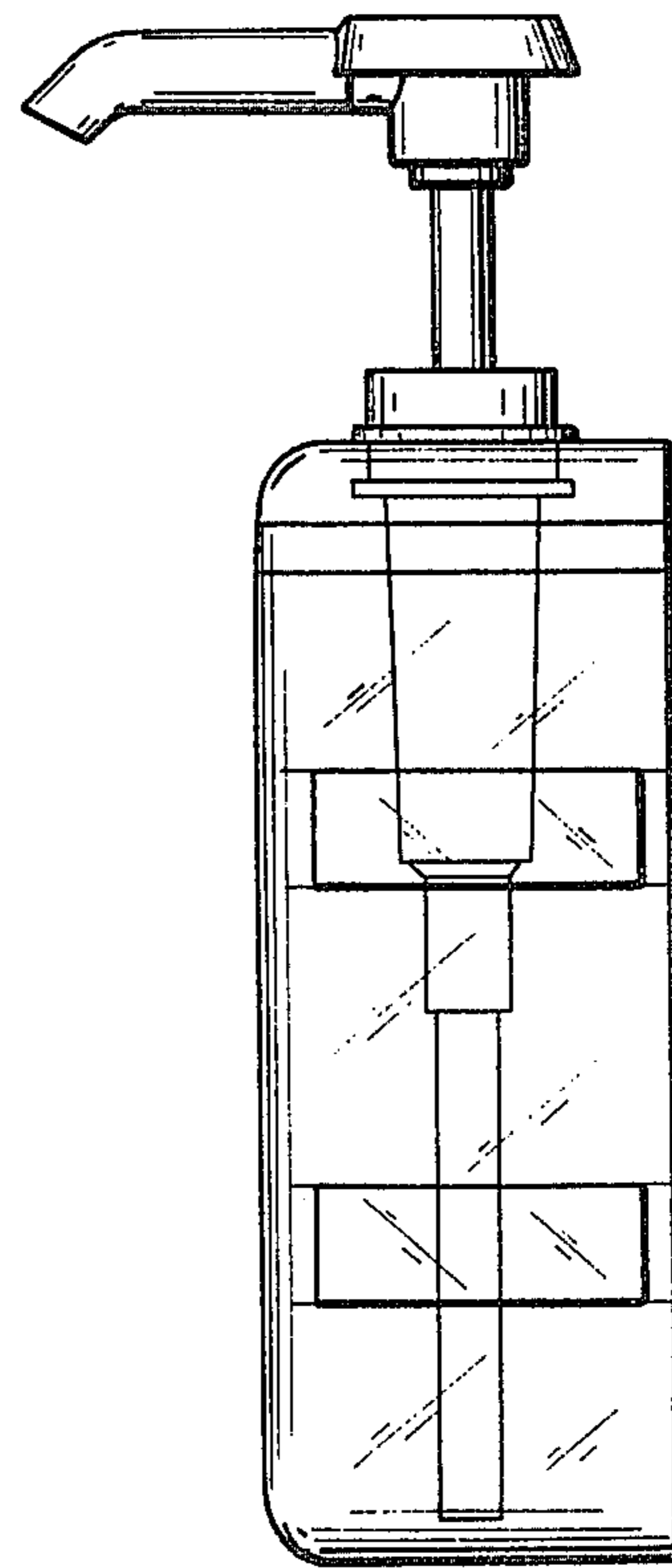


FIG. 3

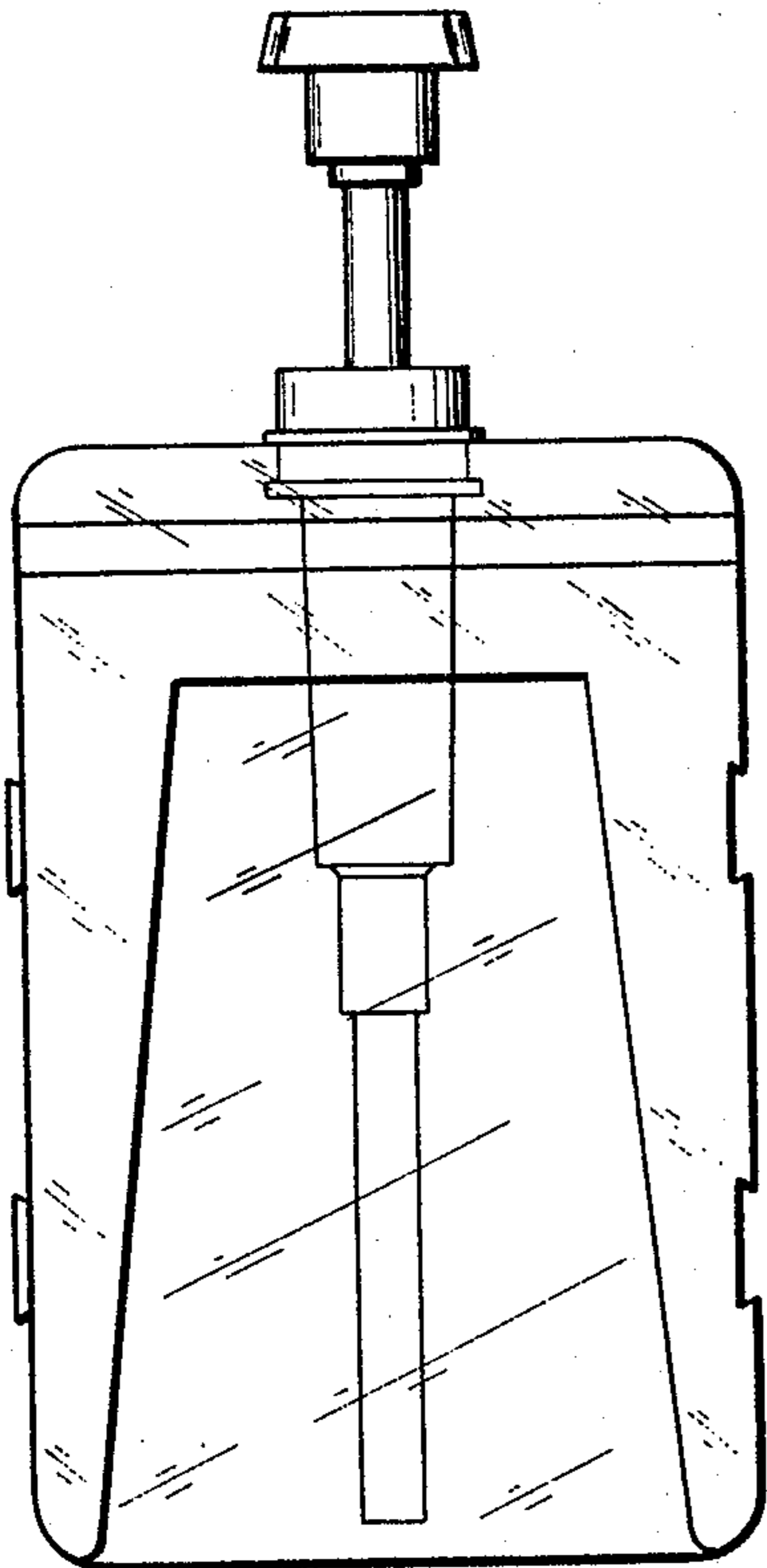


FIG. 4

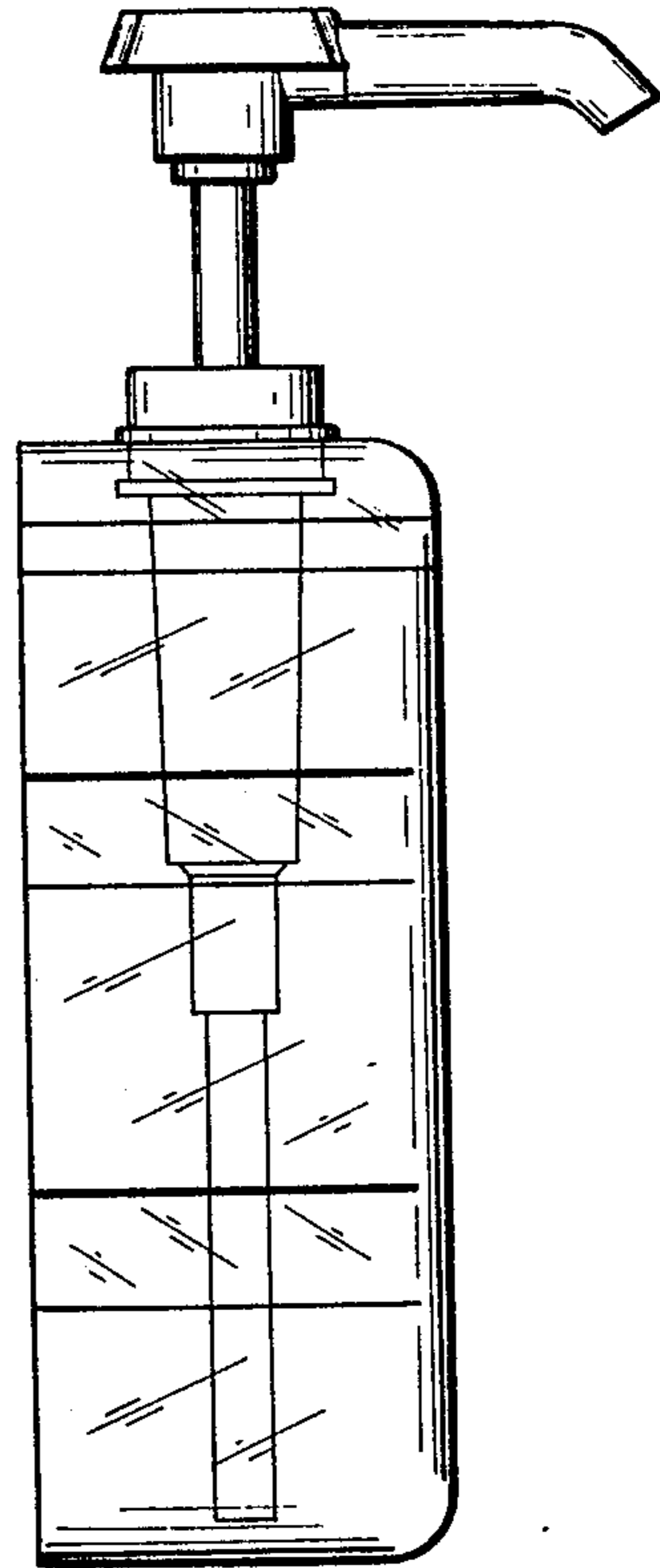


FIG. 5

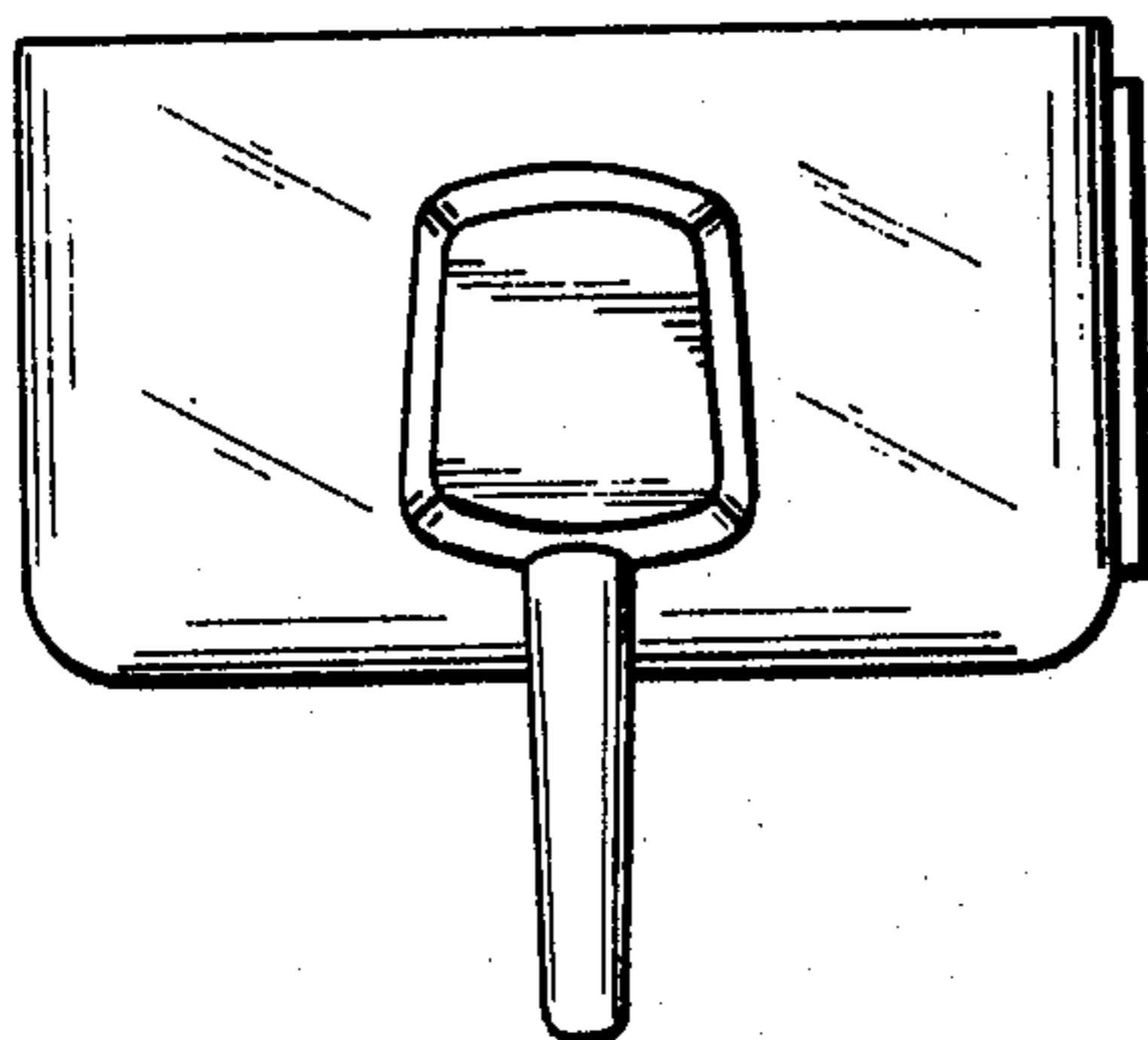


FIG. 6

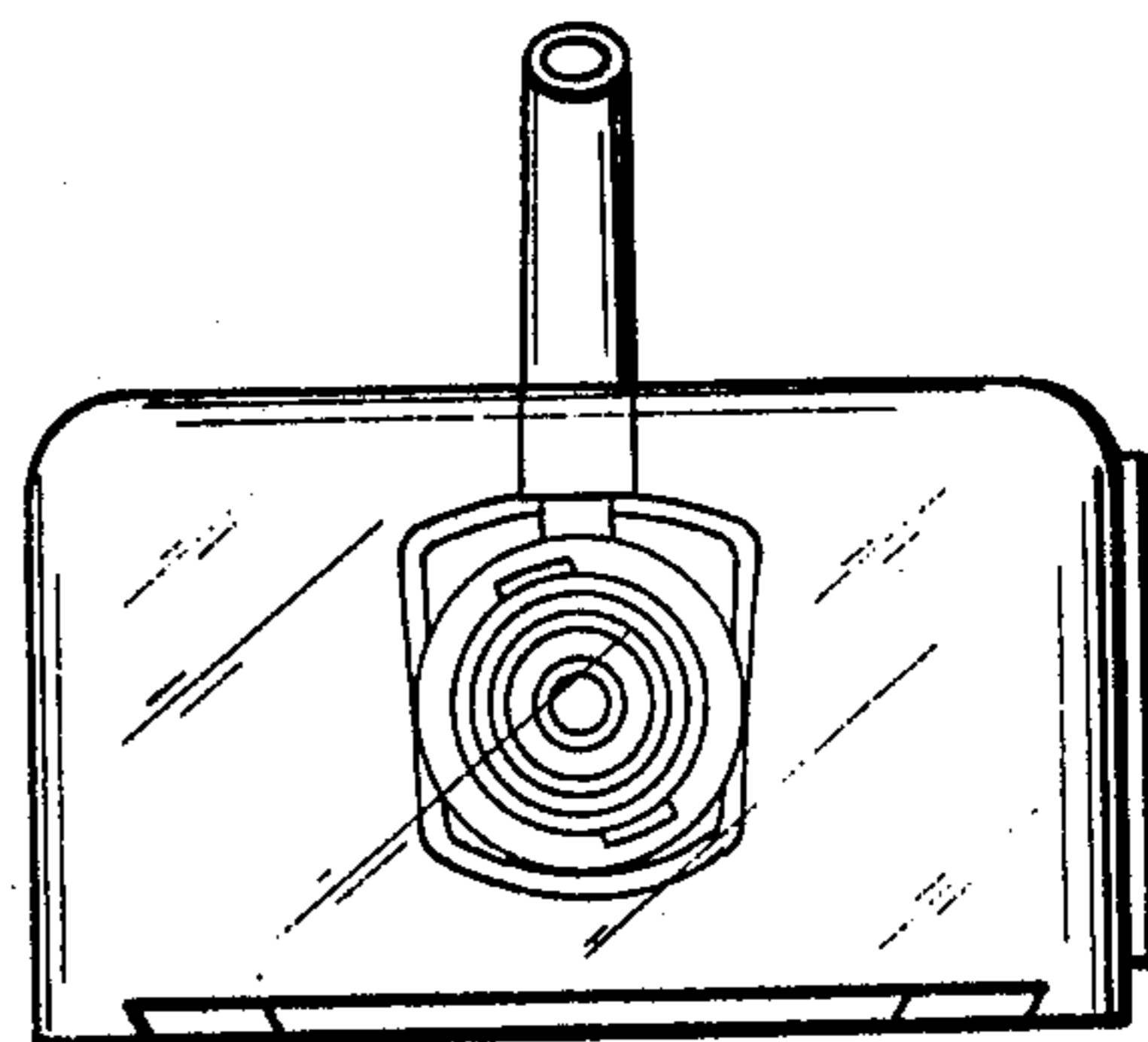


FIG. 7