

[54] SCREW DRIVER HANDLE

[75] Inventors: Hans Himbert, Bromma; Bengt Palmgren, Saltsjöbaden, Sweden

[73] Assignee: AB Bahco Verktyg, Enkoping, Sweden

[\*\*] Term: 14 Years

[21] Appl. No.: 355,091

[22] Filed: Mar. 5, 1982

[30] Foreign Application Priority Data

|                            |                     |          |
|----------------------------|---------------------|----------|
| Oct. 19, 1981 [SE]         | Sweden .....        | 81-2358  |
| Oct. 19, 1981 [SE]         | Sweden .....        | 81-2359  |
| [52] U.S. Cl. ....         |                     | D8/83    |
| [58] Field of Search ..... | D8/82, 83, 84, 107; | 145/61 C |

[56] References Cited

U.S. PATENT DOCUMENTS

|            |        |                  |       |
|------------|--------|------------------|-------|
| D. 44,573  | 8/1913 | Leopold .....    | D8/84 |
| D. 196,074 | 8/1963 | Collier .....    | D8/82 |
| D. 270,706 | 9/1983 | Cleminshaw ..... | D8/83 |

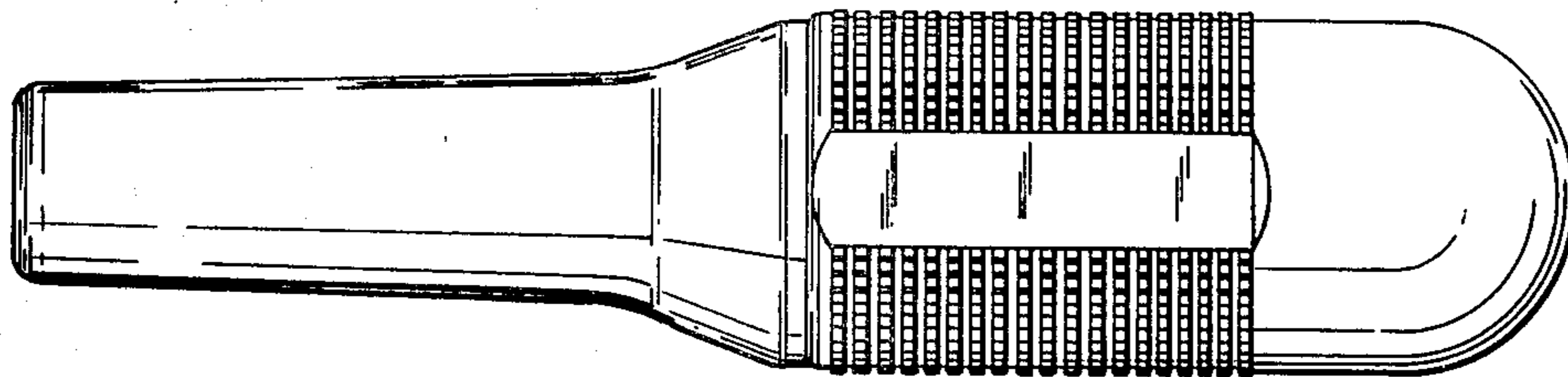
Primary Examiner—Alan P. Douglas  
Attorney, Agent, or Firm—Oblon, Fisher, Spivak, McClelland & Maier

[57] CLAIM

The ornamental design for a screw driver handle, as shown and described.

DESCRIPTION

FIG. 1 is a side elevational view of a screw driver handle showing our new design;  
 FIG. 2 is a rear perspective view thereof;  
 FIG. 3 is a front perspective view thereof;  
 FIG. 4 is a side elevational view of a further screw driver handle showing our new design;  
 FIG. 5 is a rear perspective view thereof;  
 FIG. 6 is a front perspective view thereof.



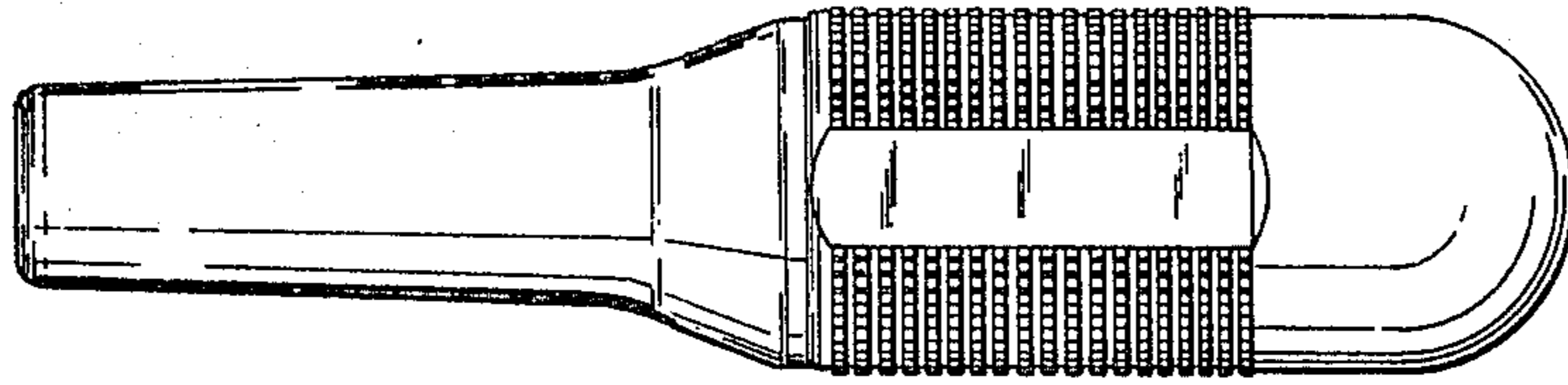


FIG. 1

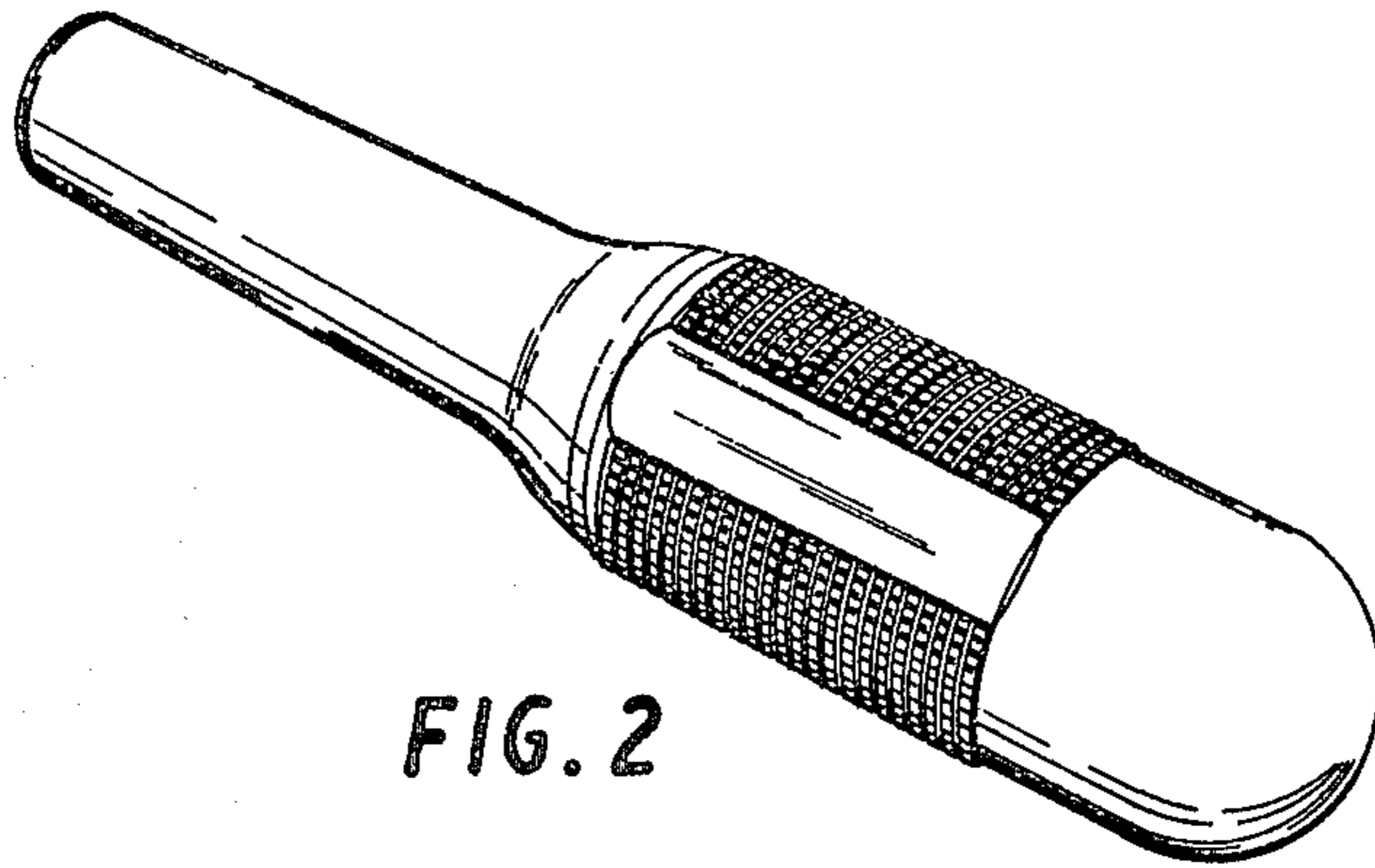


FIG. 2

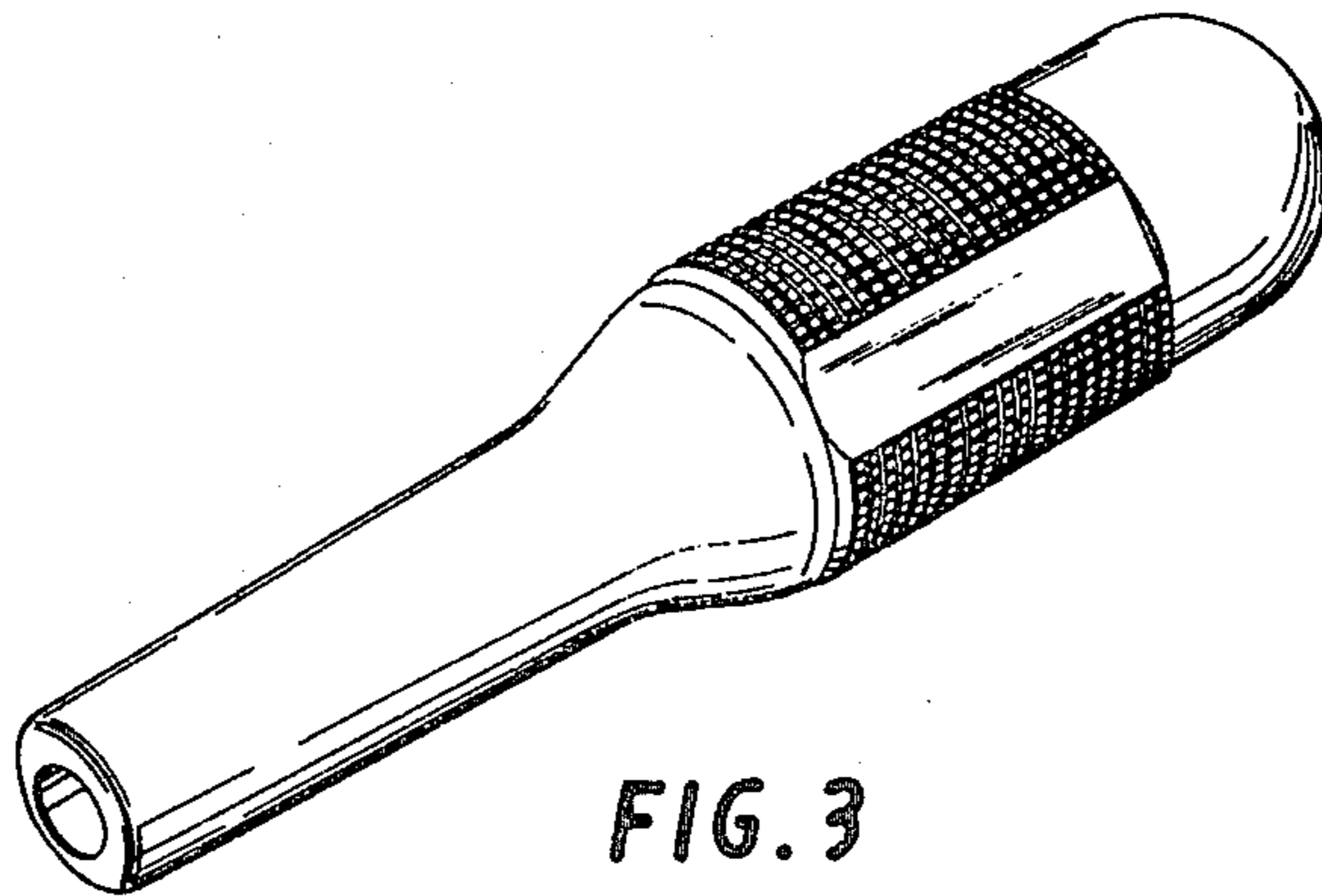


FIG. 3

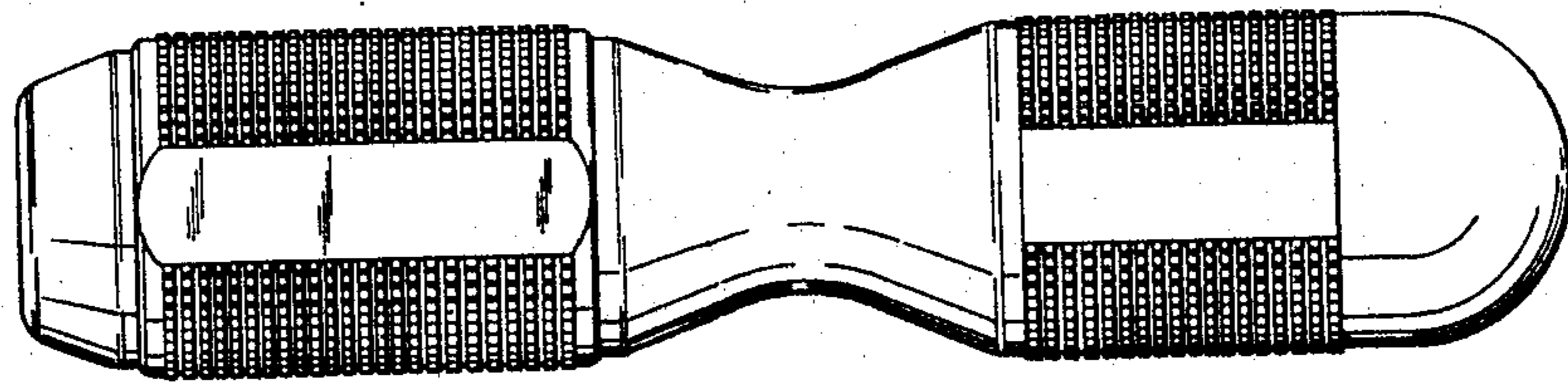


FIG. 4

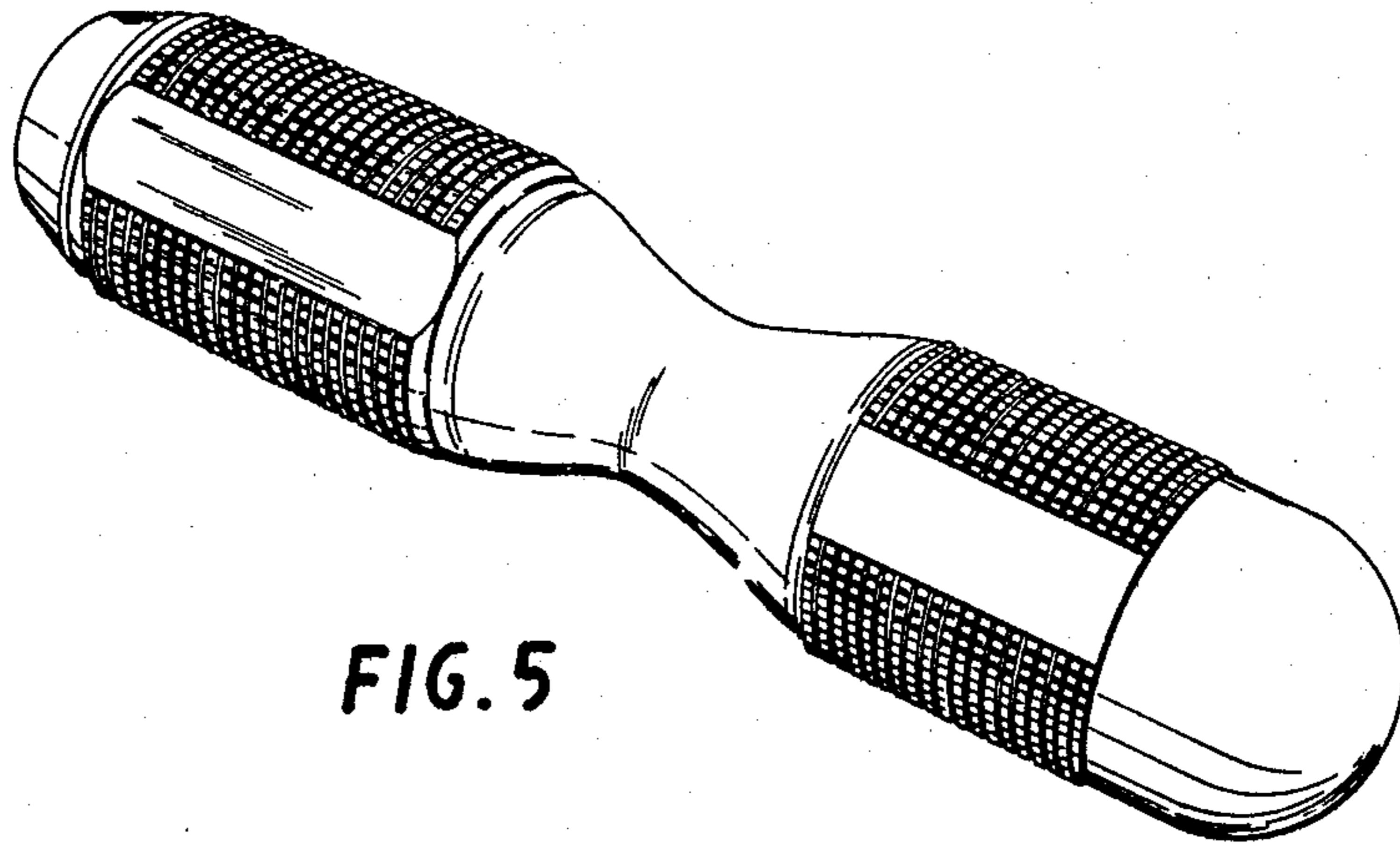


FIG. 5

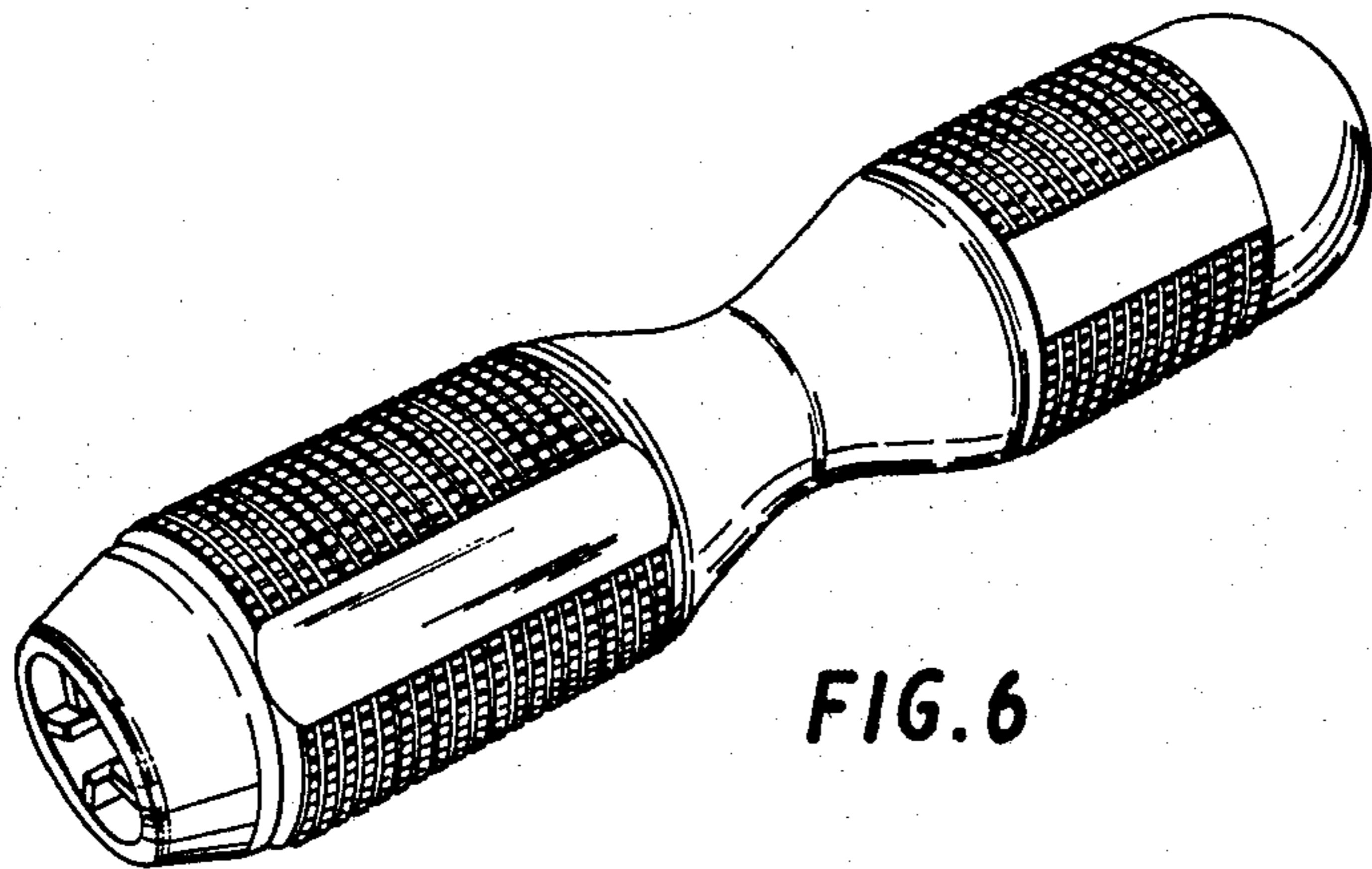


FIG. 6