

[54] TOOL AND SOLDER STATION

Primary Examiner—Alan P. Douglas

[75] Inventor: Marvin Kober, Spring Valley, N.Y.

[57] CLAIM

[73] Assignee: O.K. Machine and Tool Corp., New York, N.Y.

The ornamental design for a tool and solder station, as shown and described.

[**] Term: 14 Years

DESCRIPTION

[21] Appl. No.: 358,892

FIG. 1 is a front and top perspective view of the tool and solder station, showing one form of my new design; FIG. 2 is a rear, top and left side perspective view of the tool and solder station shown in FIG. 1;

[22] Filed: Mar. 17, 1982

[52] U.S. Cl. D8/71

FIG. 3 is a back, bottom and left side perspective view of the tool and solder station shown in FIG. 1;

[58] Field of Search D8/71; 219/242

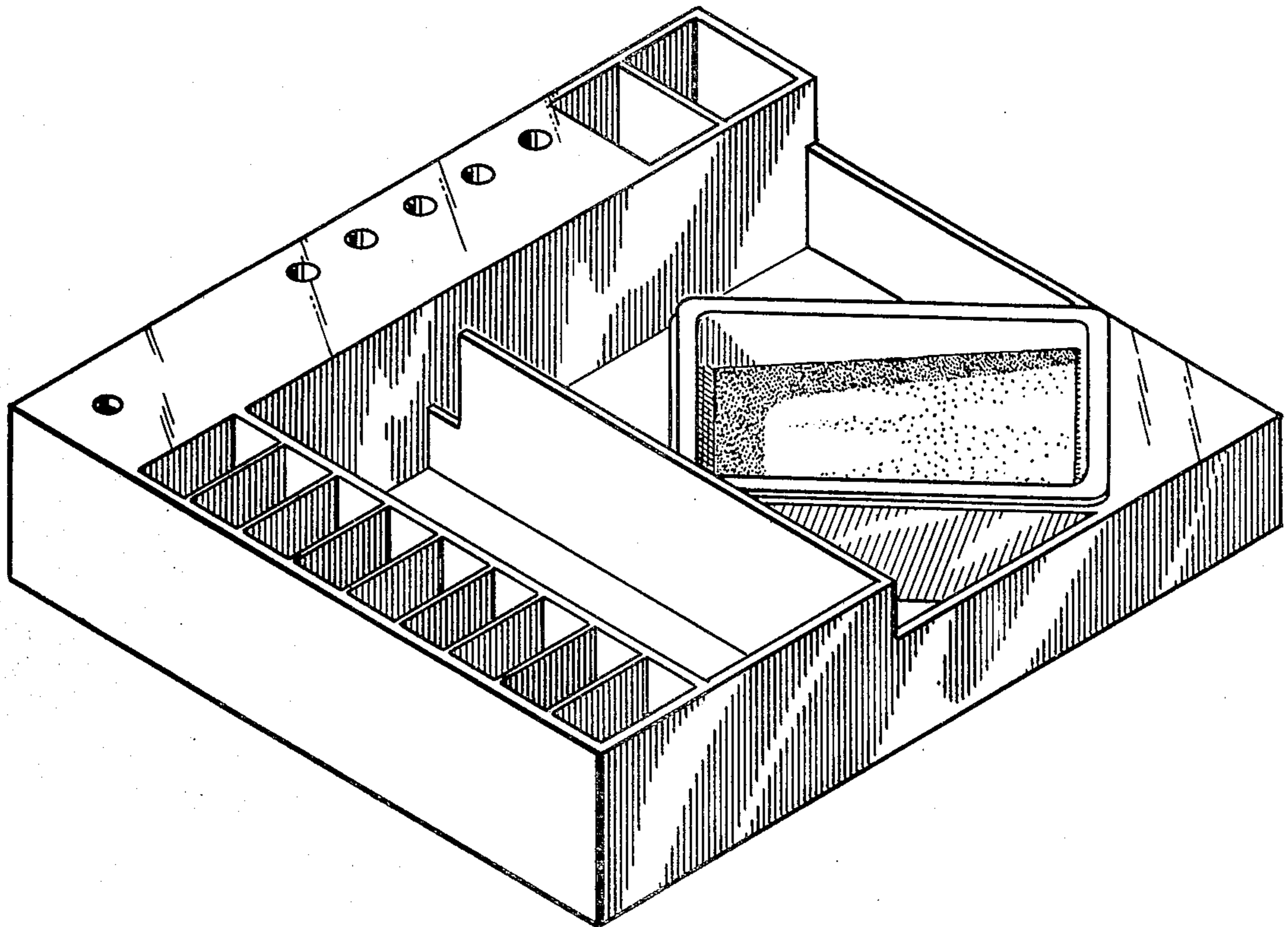
FIG. 4 is a view similar to FIG. 2 of a modification, which is identical to the embodiment illustrated in FIGS. 1-3 except for the wire holder, added in the upper left corner, for receiving a soldering iron.

[56] References Cited

U.S. PATENT DOCUMENTS

- D. 223,101 3/1972 Sylvester D8/71
- 4,176,778 12/1979 Fortune 219/242 X

The not shown right side of the principal embodiment and the modification is flat and unornamented.



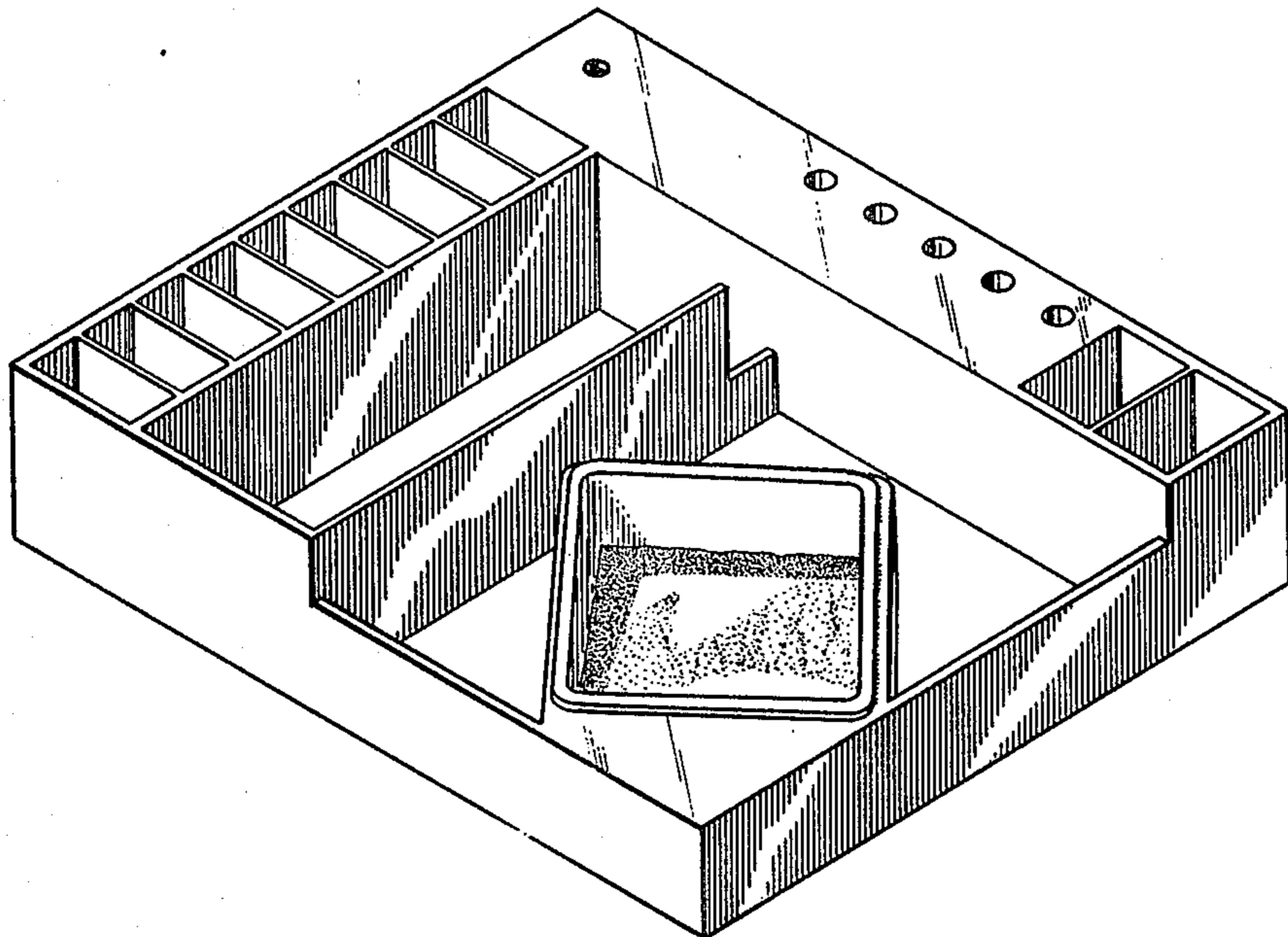


Fig. 1

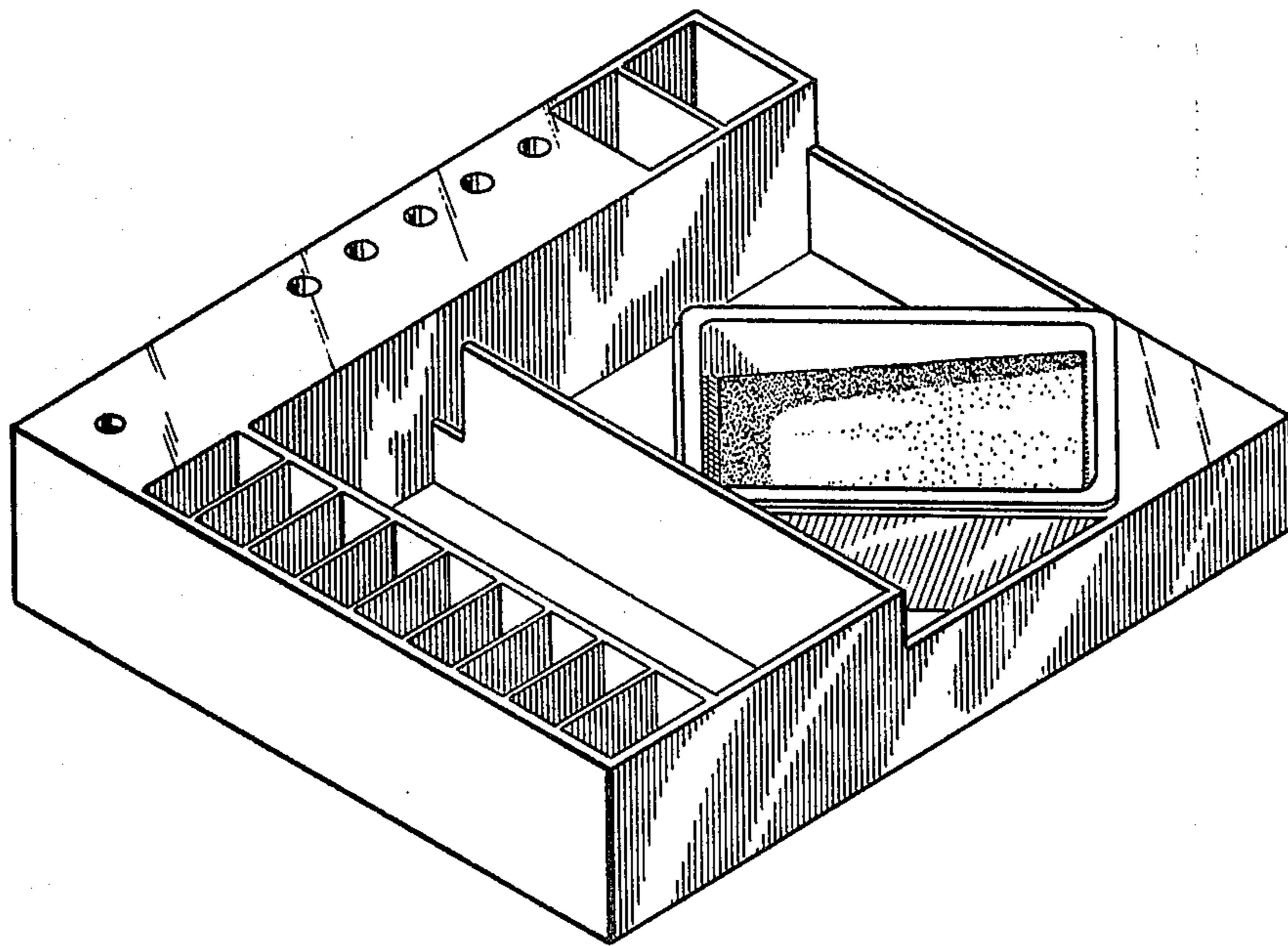


Fig. 2

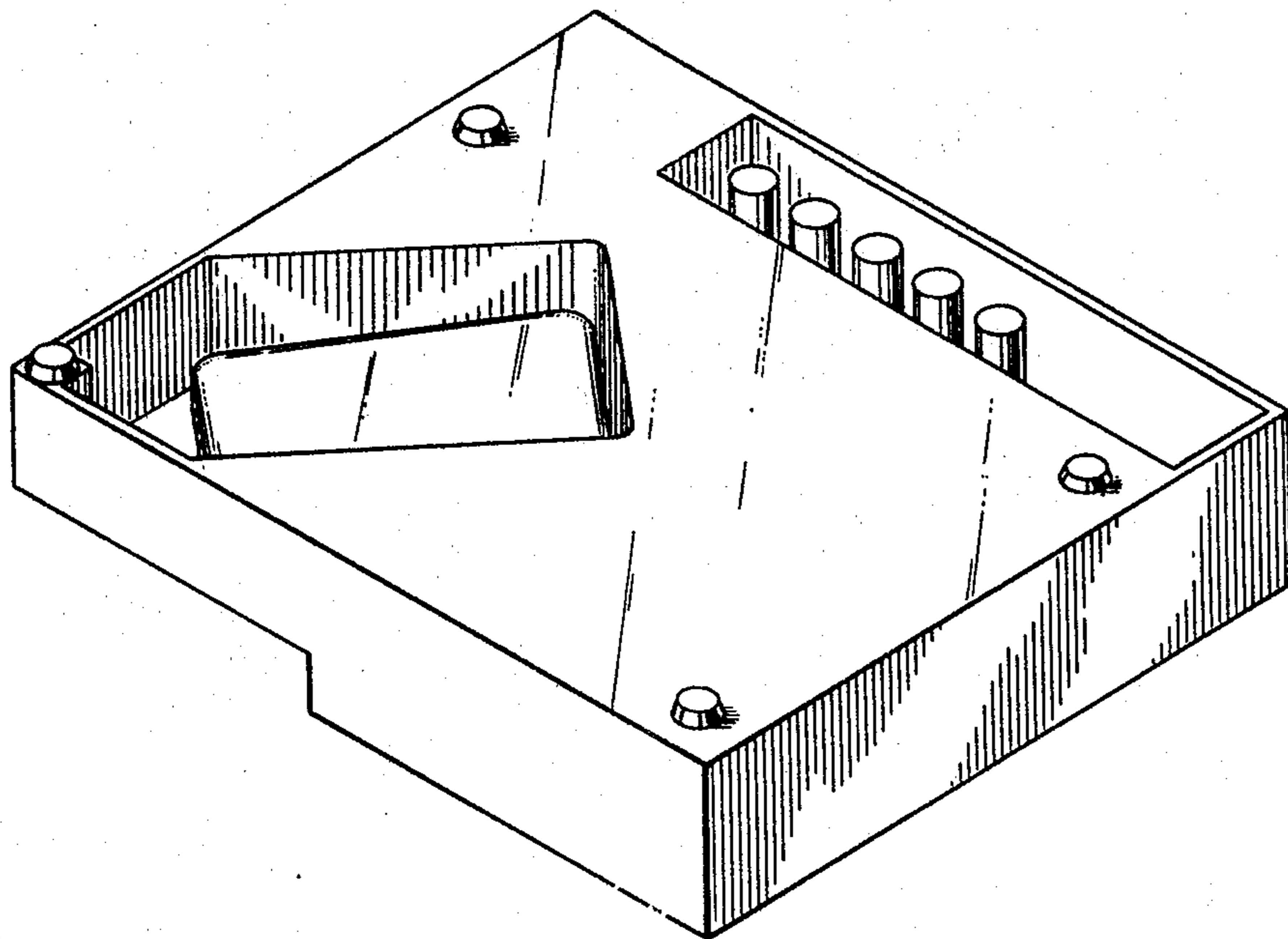


Fig. 3

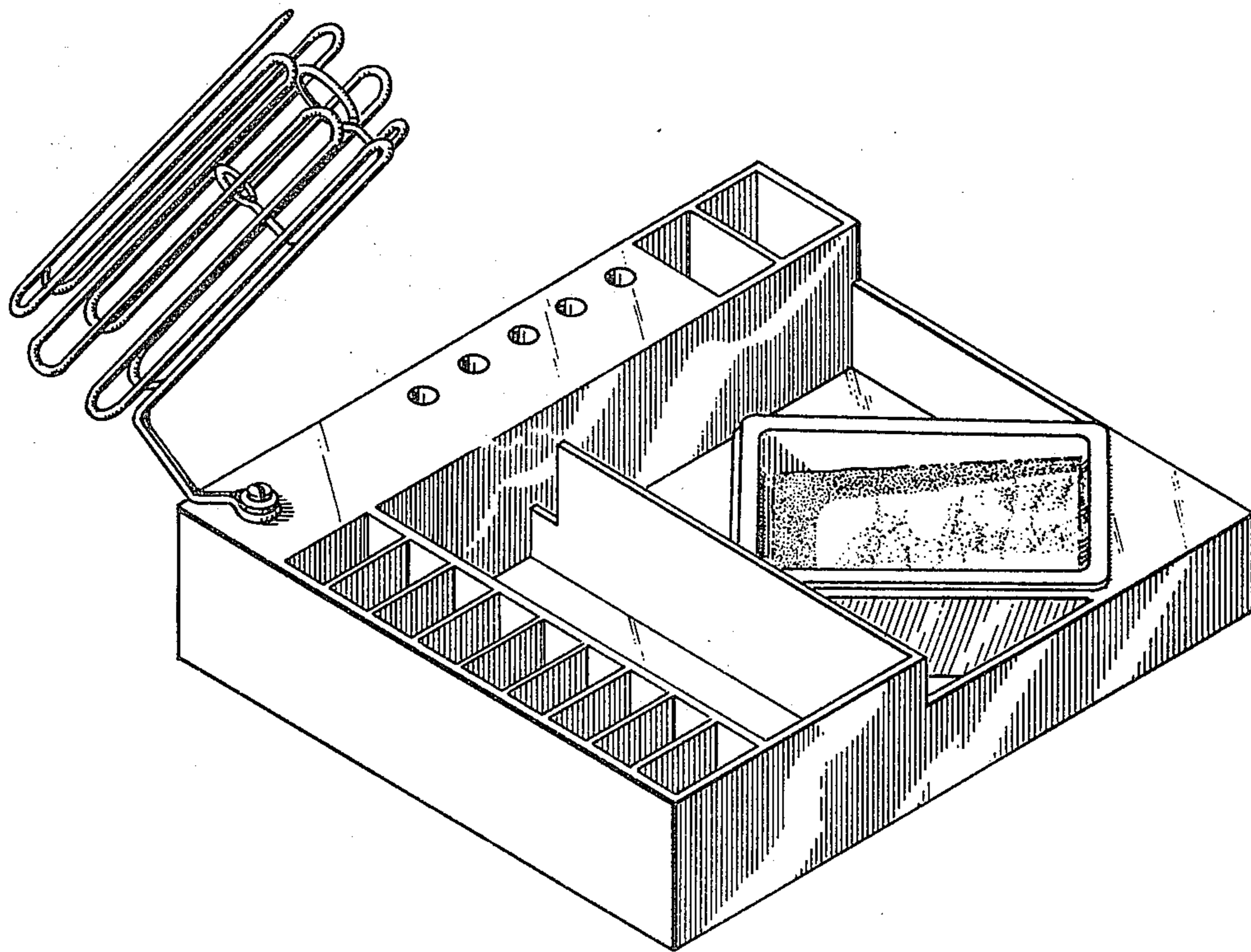


Fig. 4