

[54] LEVERED SHOVEL UNIT

[76] Inventor: Daniel R. LoPresti, 233 St. Paul St., Burlington, Vt. 05401

[**] Term: 14 Years

[21] Appl. No.: 416,114

[22] Filed: Sep. 9, 1982

[52] U.S. Cl. D8/10

[58] Field of Search D8/1-13; 294/57, 49, 58, 55.5; 172/371, 375

[56] References Cited

U.S. PATENT DOCUMENTS

62,594	5/1867	Beale	294/58
D. 269,936	8/1983	Storlie	D8/10
479,661	7/1892	Poulson	294/58
2,416,414	2/1947	Spencer	294/58
2,614,879	10/1952	Citso	294/58
3,938,843	2/1976	Pahl	294/58
4,103,954	8/1978	Vaslas	294/58
4,155,582	5/1979	Reisner	294/58

FOREIGN PATENT DOCUMENTS

661336	7/1965	Belgium	172/371
676597	6/1939	Fed. Rep. of Germany	294/58
1306074	9/1962	France	294/58
31276	5/1919	Norway	294/58

OTHER PUBLICATIONS

Bradley Hardware Catalog No. 41, Shovels, p. 261, Nos. 60, 61, 334, 50, 170.

Primary Examiner—Wallace R. Burke
Assistant Examiner—Horace B. Fay
Attorney, Agent, or Firm—Thomas N. Neiman

[57] CLAIM

The ornamental design for a levered shovel unit, as shown and described.

DESCRIPTION

FIG. 1 is a top plan view of a levered shovel unit showing my new design;
FIG. 2 is a cross-sectional view taken along line 2—2 of FIG. 1;
FIG. 3 is a side elevational view thereof.

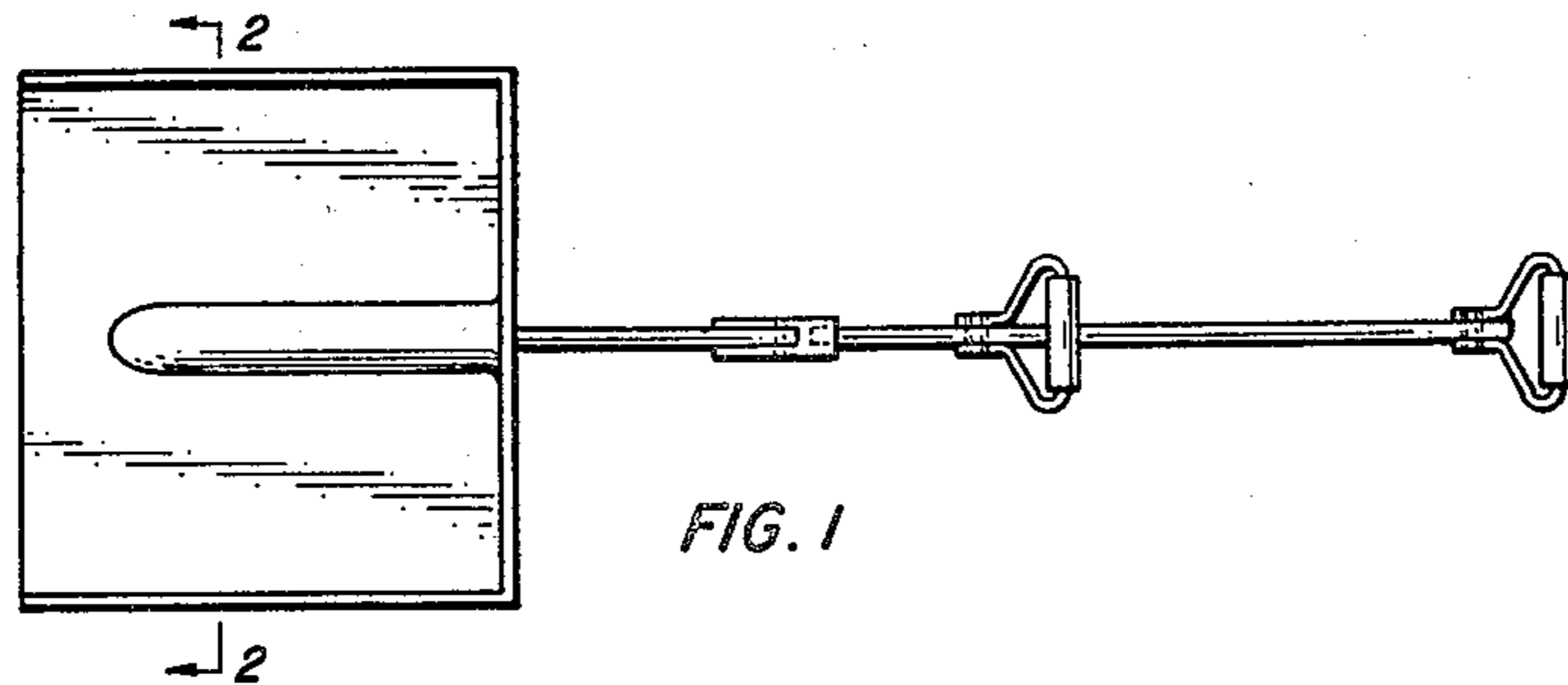


FIG. 1

