

[54] COMBINED BURNER UNIT AND VESSEL SUPPORT

[76] Inventor: Ming K. Chan, 1st Floor, 58 Hung To Rd., Kwun Tong, Kowloon, Hong Kong

[\*\*] Term: 14 Years

[21] Appl. No.: 311,960

[22] Filed: Oct. 16, 1981

[30] Foreign Application Priority Data

Jul. 7, 1981 [GB] United Kingdom ..... 1 001 332
[52] U.S. Cl. .... D7/407
[58] Field of Search ..... D8/380, 310, 312; D7/337, 346, 359, 388, 402, 407-409; 126/9 R, 9 A, 9 B, 25 R, 25 A, 25 AA, 37 R, 37 A, 37 B, 38, 39, 44; 431/344

[56] References Cited

U.S. PATENT DOCUMENTS

Table with 4 columns: Patent Number, Date, Inventor, and Reference Number. Includes entries for Chan (D7/407), Folke (D7/337), Wooldridge et al. (D8/312), and Ross (126/44).

OTHER PUBLICATIONS

Lighting Jun. 1956, p. 51 Finial #906-6 to #910-10.

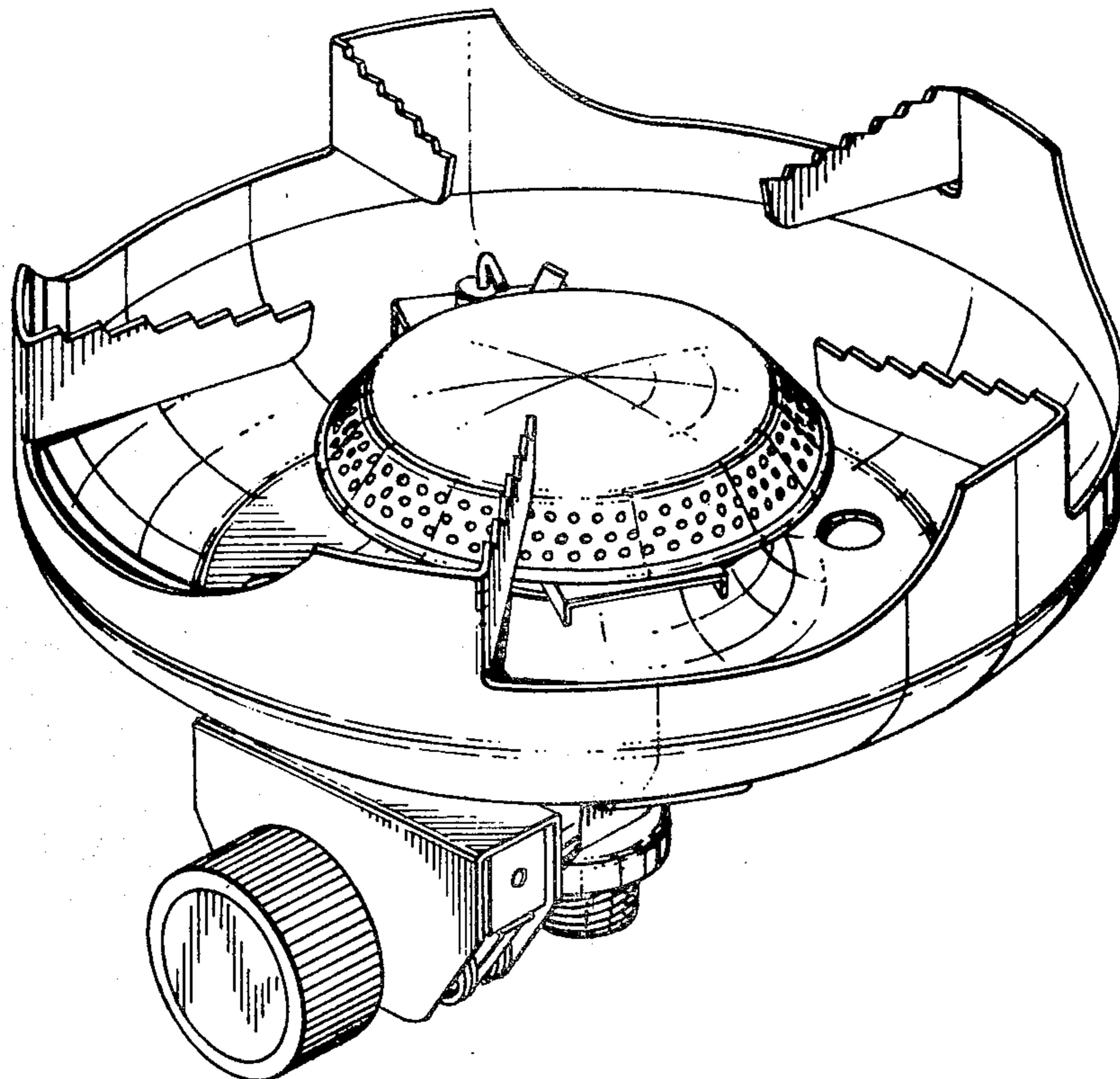
Primary Examiner—Wallace R. Burke
Assistant Examiner—Lynn Wilder
Attorney, Agent, or Firm—Fay & Sharpe

[57] CLAIM

The ornamental design for a combined burner unit and vessel support, substantially as shown and described.

DESCRIPTION

FIG. 1 is a perspective view of a combined burner unit and vessel support showing my new design; FIG. 2 is a left side elevational view thereof; and FIG. 3 is a bottom plan view thereof.



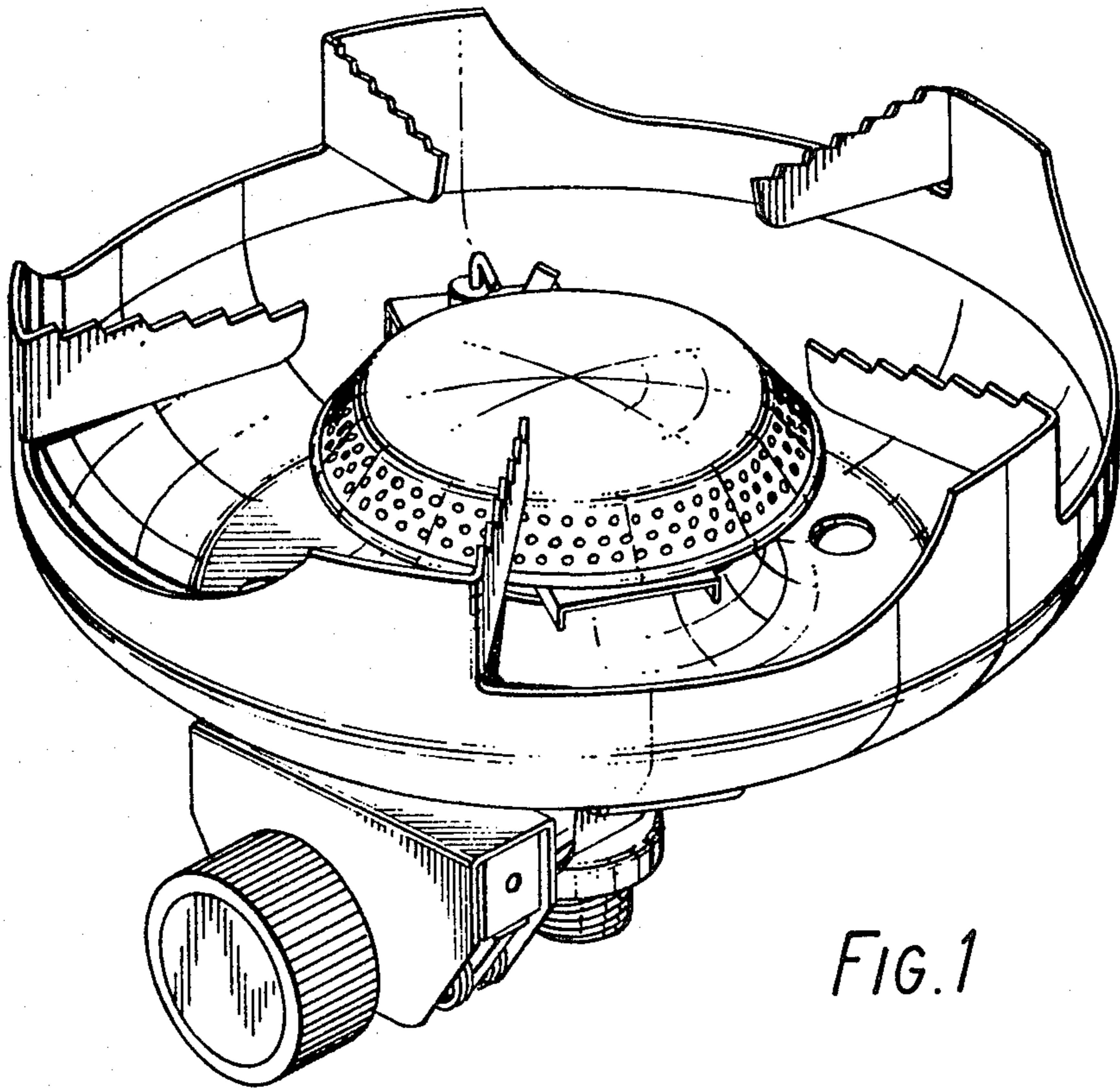


FIG. 1

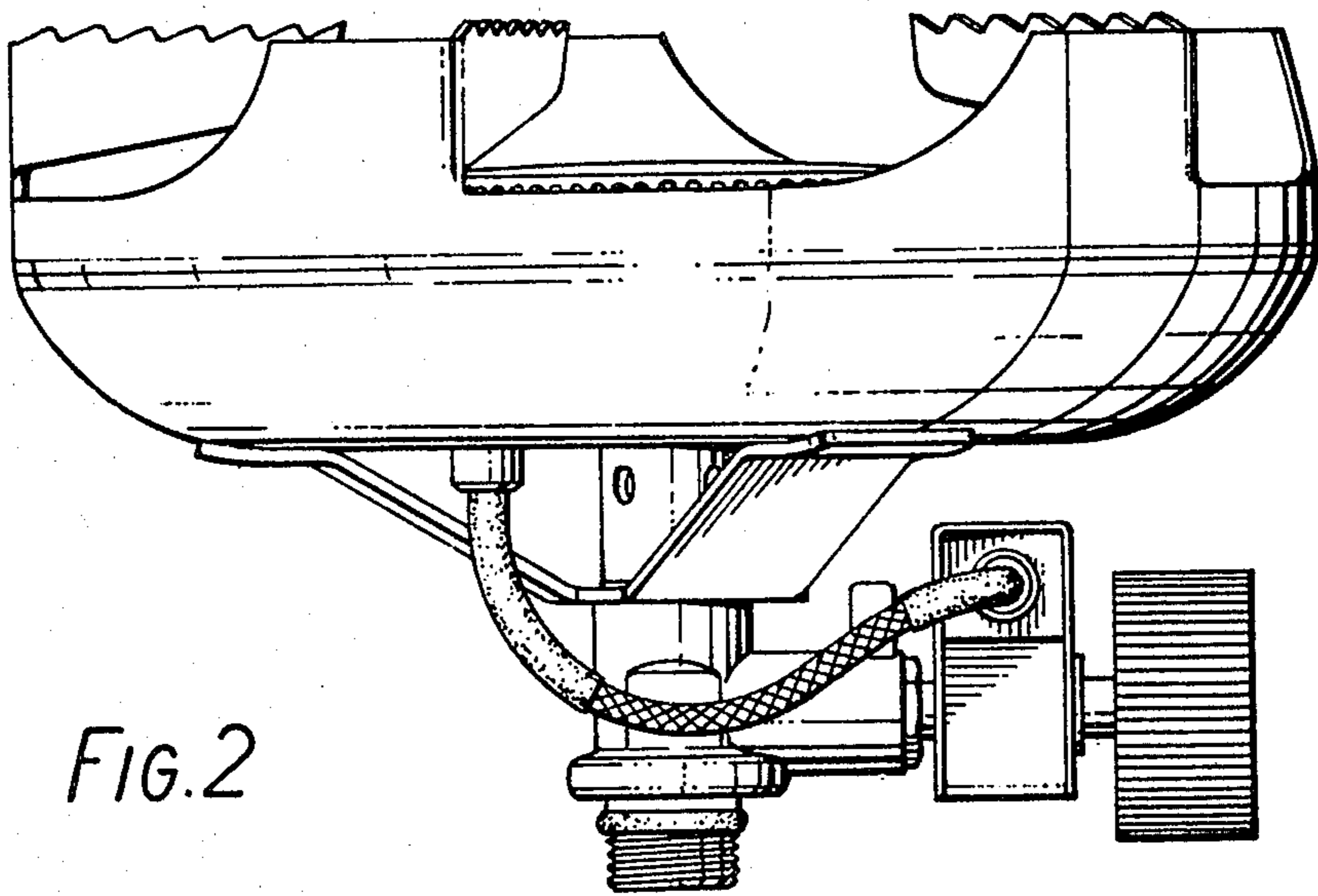


FIG. 2

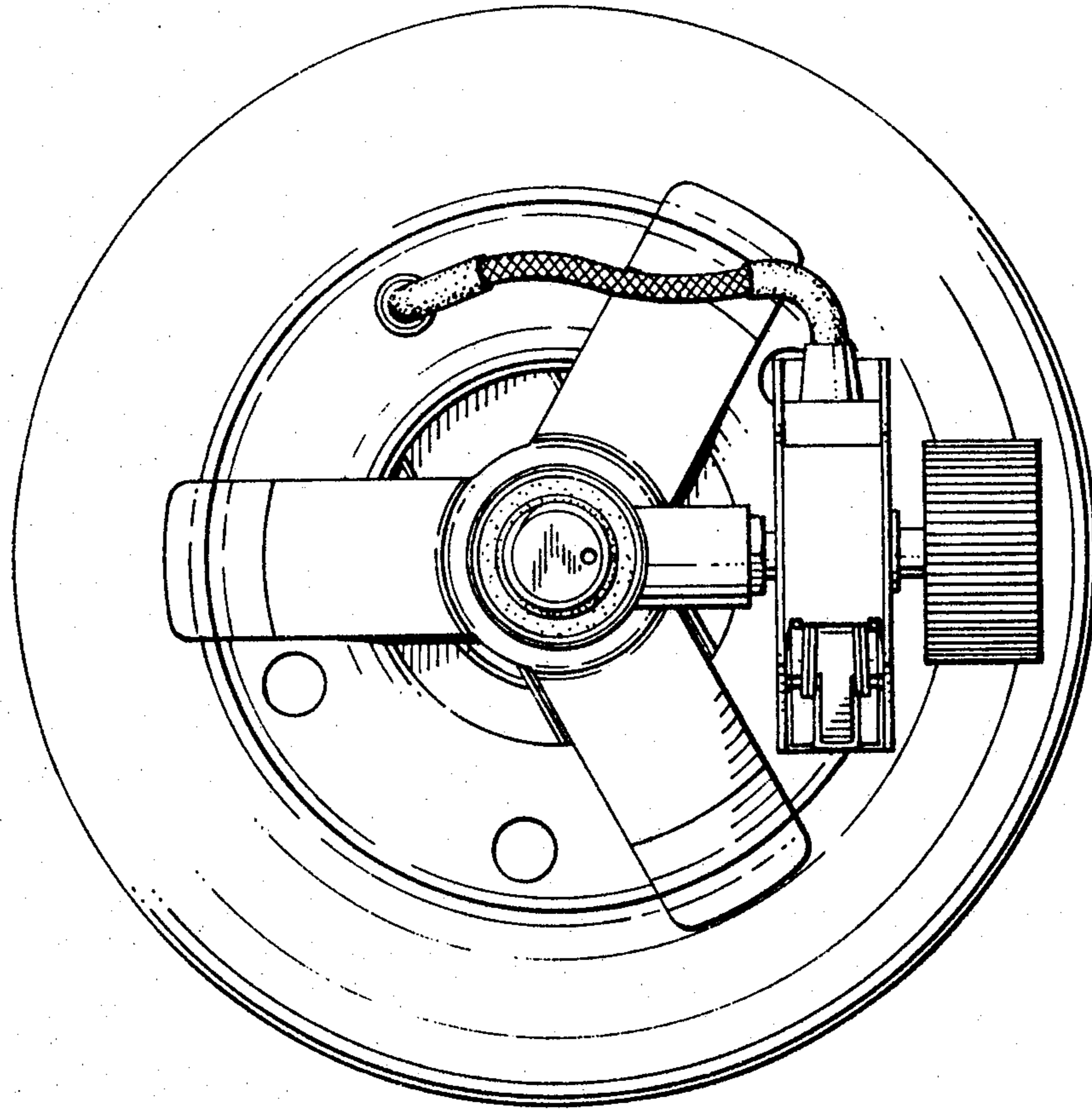


FIG. 3