

[54] DRAWER DIVIDER

[75] Inventor: William W. Ward, Clayton, N.C.

[73] Assignee: Southern Case, Inc., Raleigh, N.C.

[**] Term: 14 Years

[21] Appl. No.: 400,851

[22] Filed: Jul. 22, 1982

[52] U.S. Cl. D6/510

[58] Field of Search D6/114, 116, 122, 191;
206/72; 211/60 R, 60 T; 248/201

[56] References Cited

U.S. PATENT DOCUMENTS

D. 240,585	7/1976	Kaplan	D6/191
D. 247,085	1/1978	Stoddard	D6/191 X
2,116,631	5/1938	Jones	D6/116 X
2,916,158	12/1959	Vosbikian et al.	D6/116 X
3,468,426	9/1969	Loewy	248/201 X
3,837,477	9/1974	Boudreau	206/72
4,125,078	11/1978	Nyquist	248/201 X

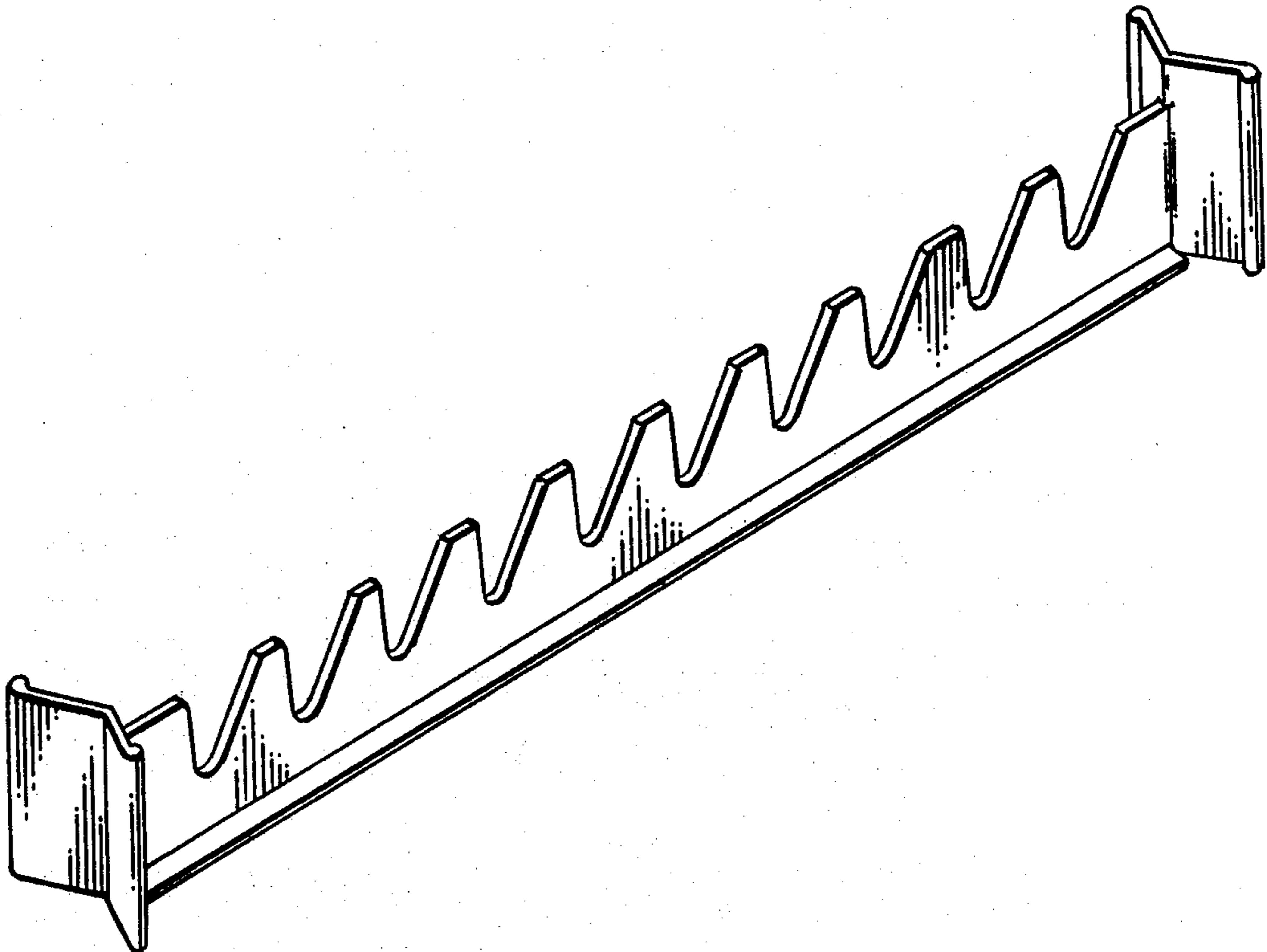
Primary Examiner—Bruce W. Dunkins
Attorney, Agent, or Firm—Bell, Seltzer, Park & Gibson

[57] CLAIM

The ornamental design for a drawer divider, substantially as shown and described.

DESCRIPTION

FIG. 1 is a perspective view of a drawer divider showing my new design;
 FIG. 2 is a perspective view thereof, but looking at the opposite side and opposite end of that shown in FIG. 1;
 FIG. 3 is a side elevation view thereof looking at the same side as shown in FIG. 1;
 FIG. 4 is a top plan view thereof; and
 FIG. 5 is a perspective view of a drawer divider showing a modified form of the article shown in FIG. 1;
 FIG. 6 is a perspective view showing the side not disclosed in FIG. 5;
 FIG. 7 is a side elevational view; and
 FIG. 8 is a top plan view thereof.



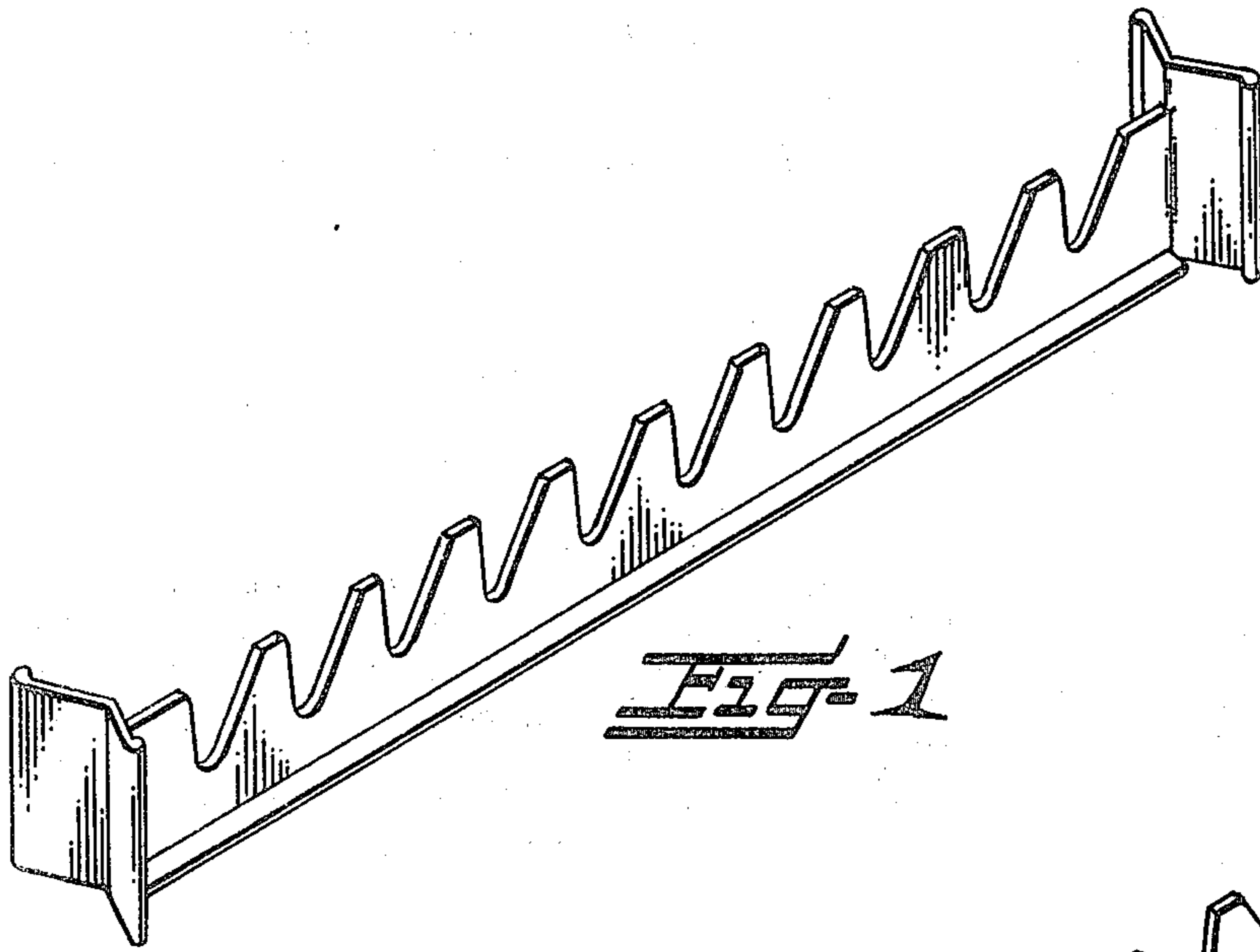


FIG-1

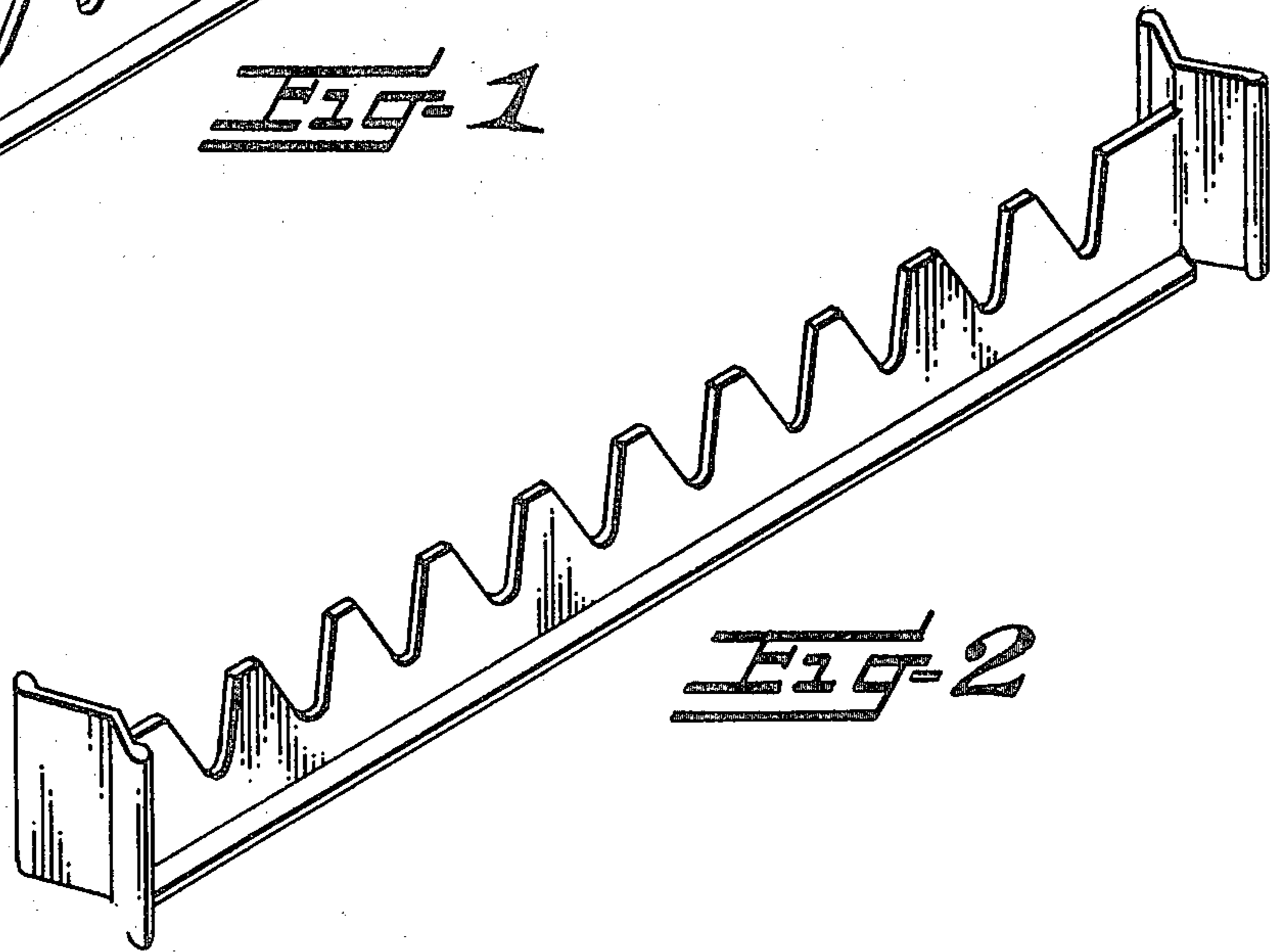


FIG-2

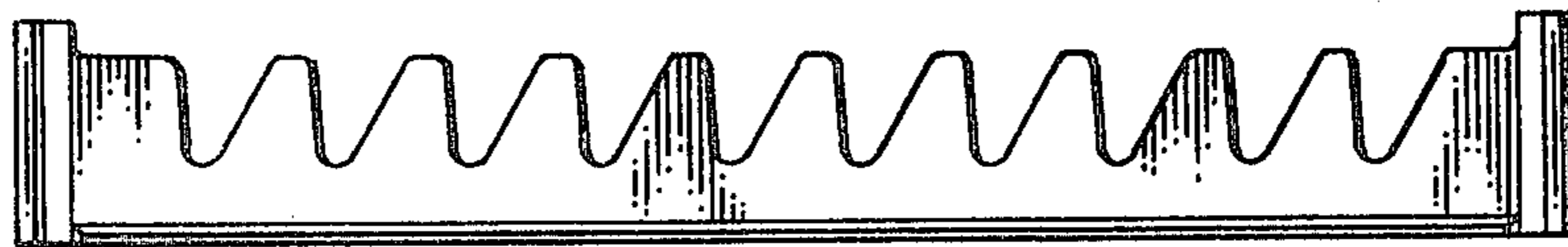


FIG-3

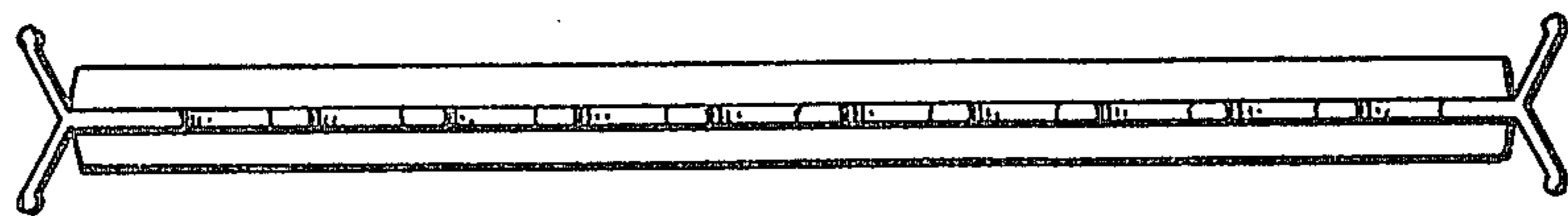


FIG-4

FIG-5

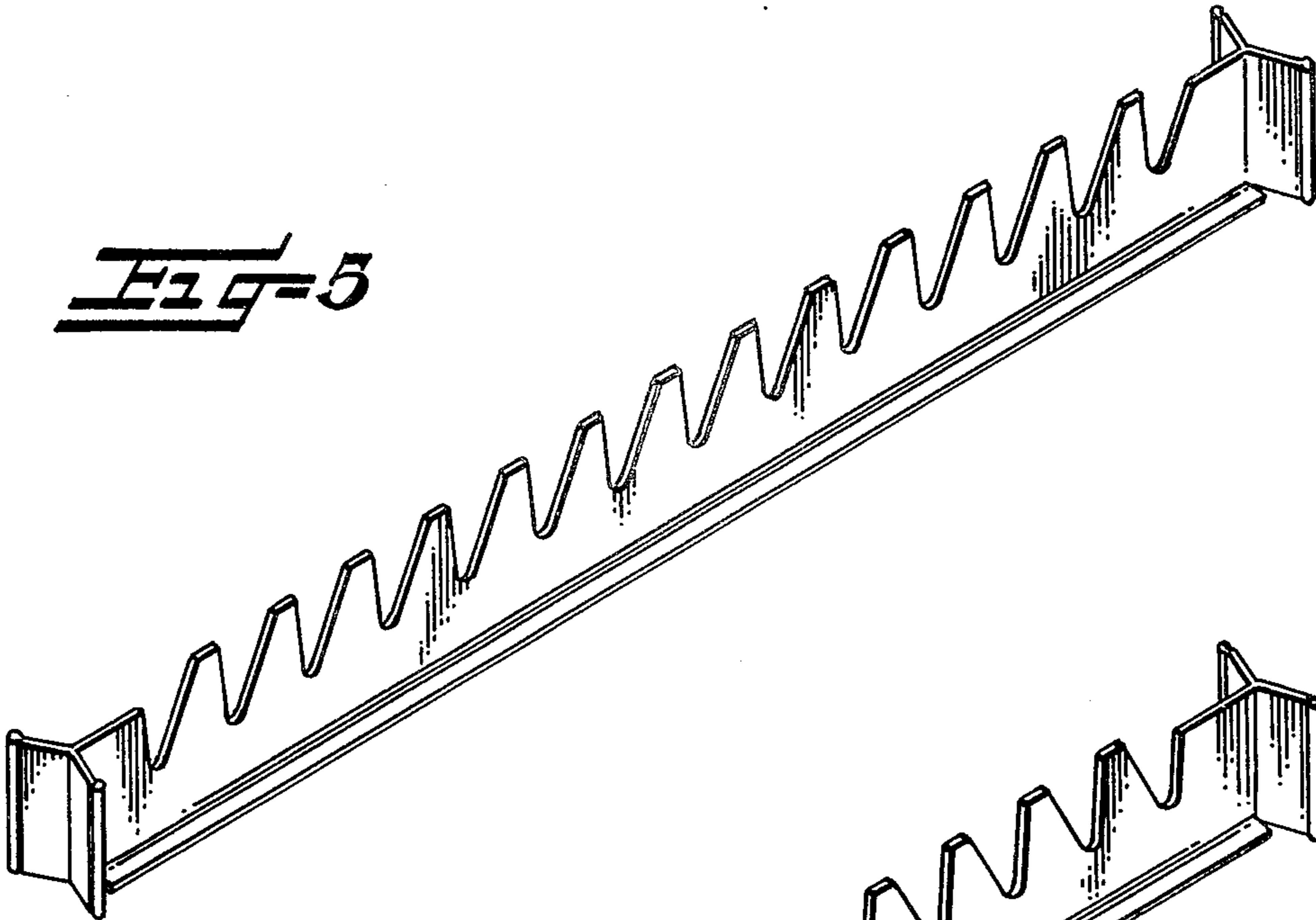


FIG-6

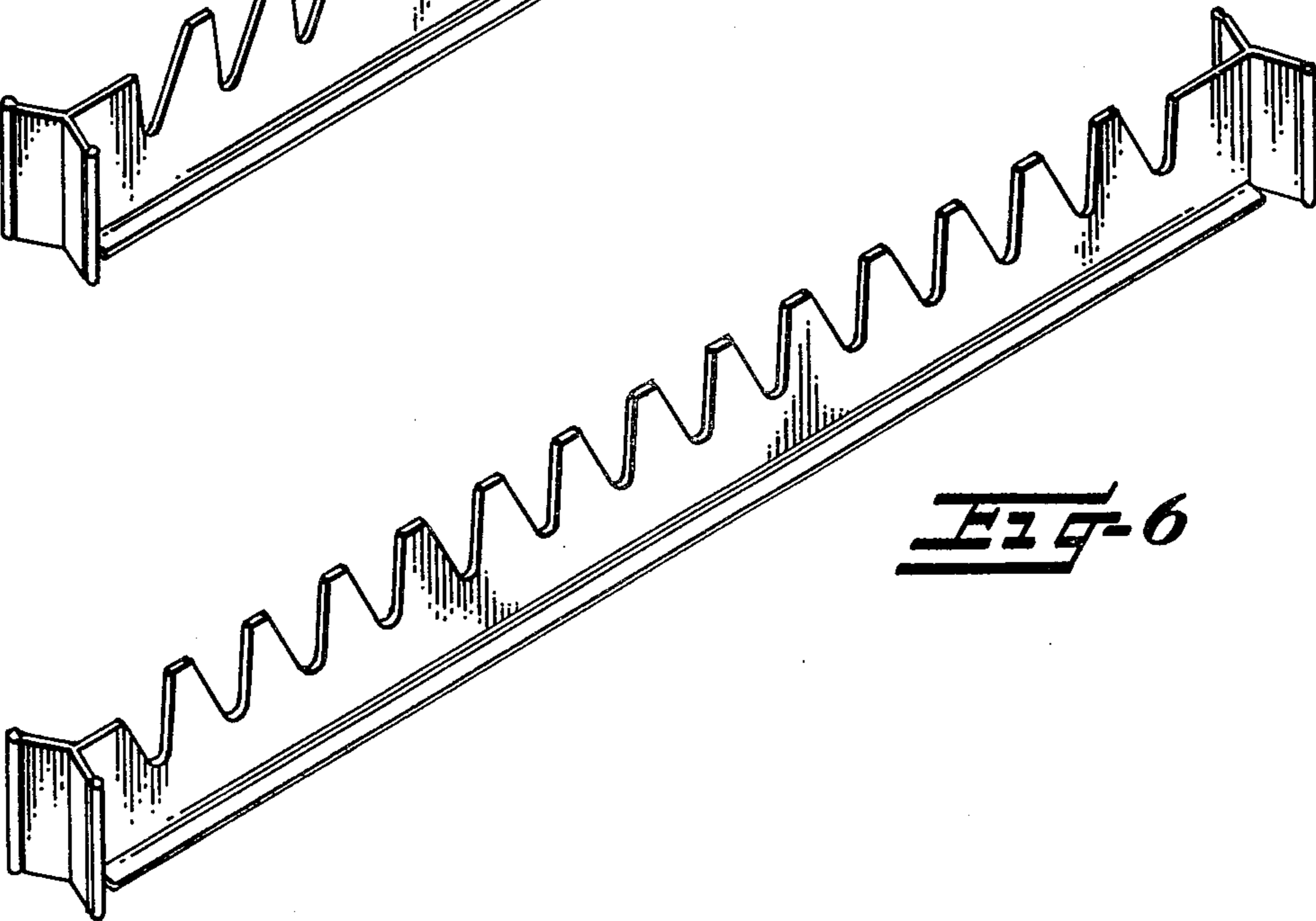


FIG-7

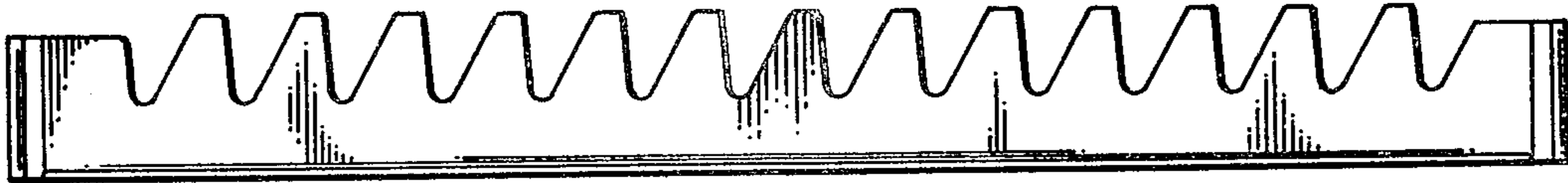


FIG-8

