

[54] BIN FOR STORAGE RACK

[75] Inventor: William D. Taylor, Wooster, Ohio

[73] Assignee: Rubbermaid Incorporated, Wooster, Ohio

[**] Term: 14 Years

[21] Appl. No.: 352,241

[22] Filed: Feb. 25, 1982

[52] U.S. Cl. D6/510; D34/40; D6/475

[58] Field of Search D6/191; D34/40; D6/181, D6/184

[56] References Cited

U.S. PATENT DOCUMENTS

D. 221,604	8/1971	Rodolakis	D34/40
D. 269,657	7/1983	Taylor	D34/40 X
2,916,161	12/1959	Schaefer	D34/40 X
3,404,804	10/1968	Frater et al.	D34/40 X

Primary Examiner—Bruce W. Dunkins
Attorney, Agent, or Firm—Renner, Kenner, Greive & Bobak

[57] CLAIM

The ornamental design for a bin for storage rack, as shown and described.

DESCRIPTION

FIG. 1 is a perspective view of a bin for storage rack showing my new design.

FIG. 2 is a plan view thereof.

FIG. 3 is a front elevation thereof.

FIG. 4 is a rear elevation thereof.

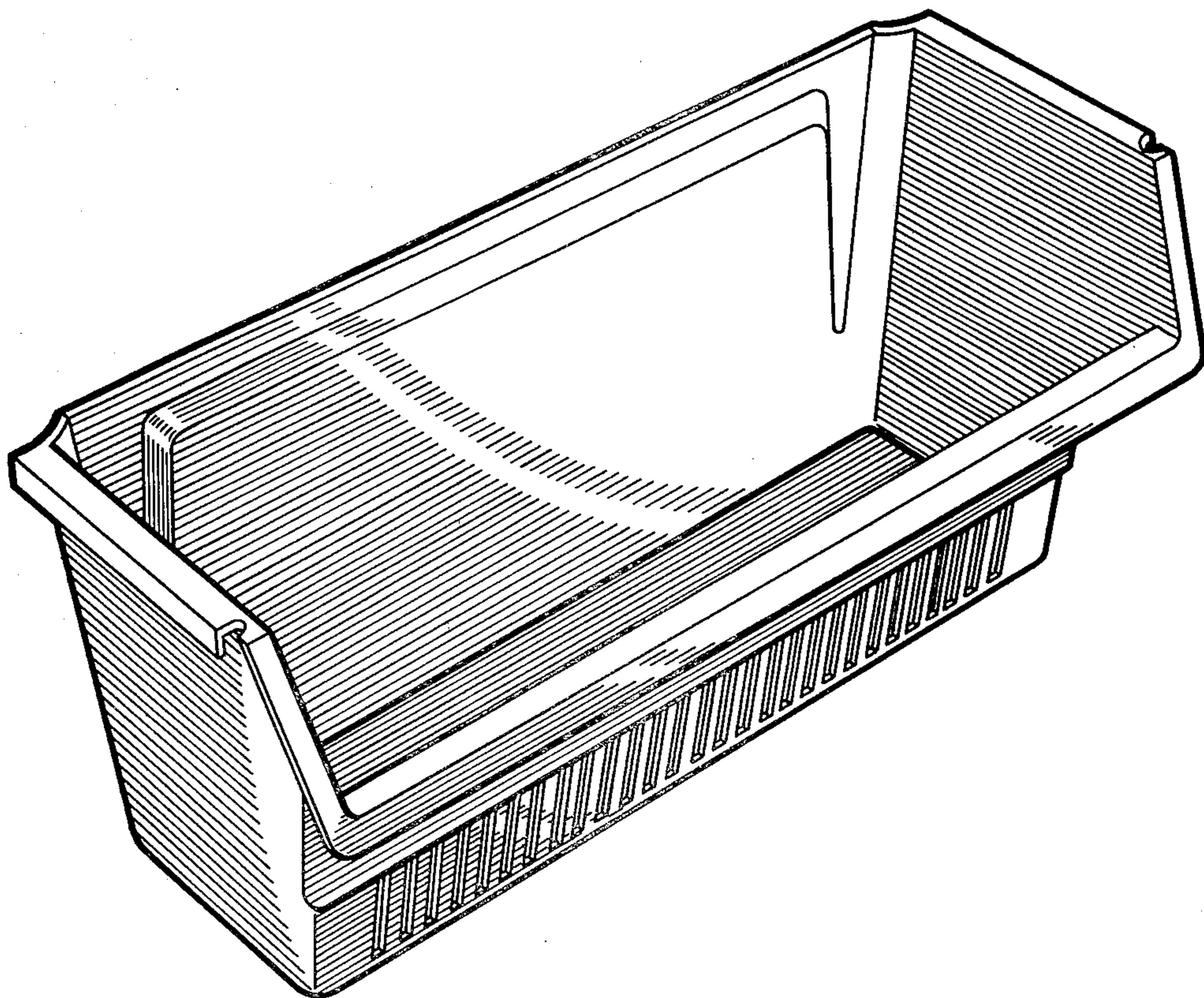
FIG. 5 is an end elevation thereof.

FIG. 6 is an enlarged partial section on line 6—6 of FIG. 2.

FIG. 7 is an enlarged partial section on line 7—7 of FIG. 2.

FIG. 8 is an enlarged partial section on line 8—8 of FIG. 2.

The end opposite to that shown in FIG. 5 is a mirror image thereof.



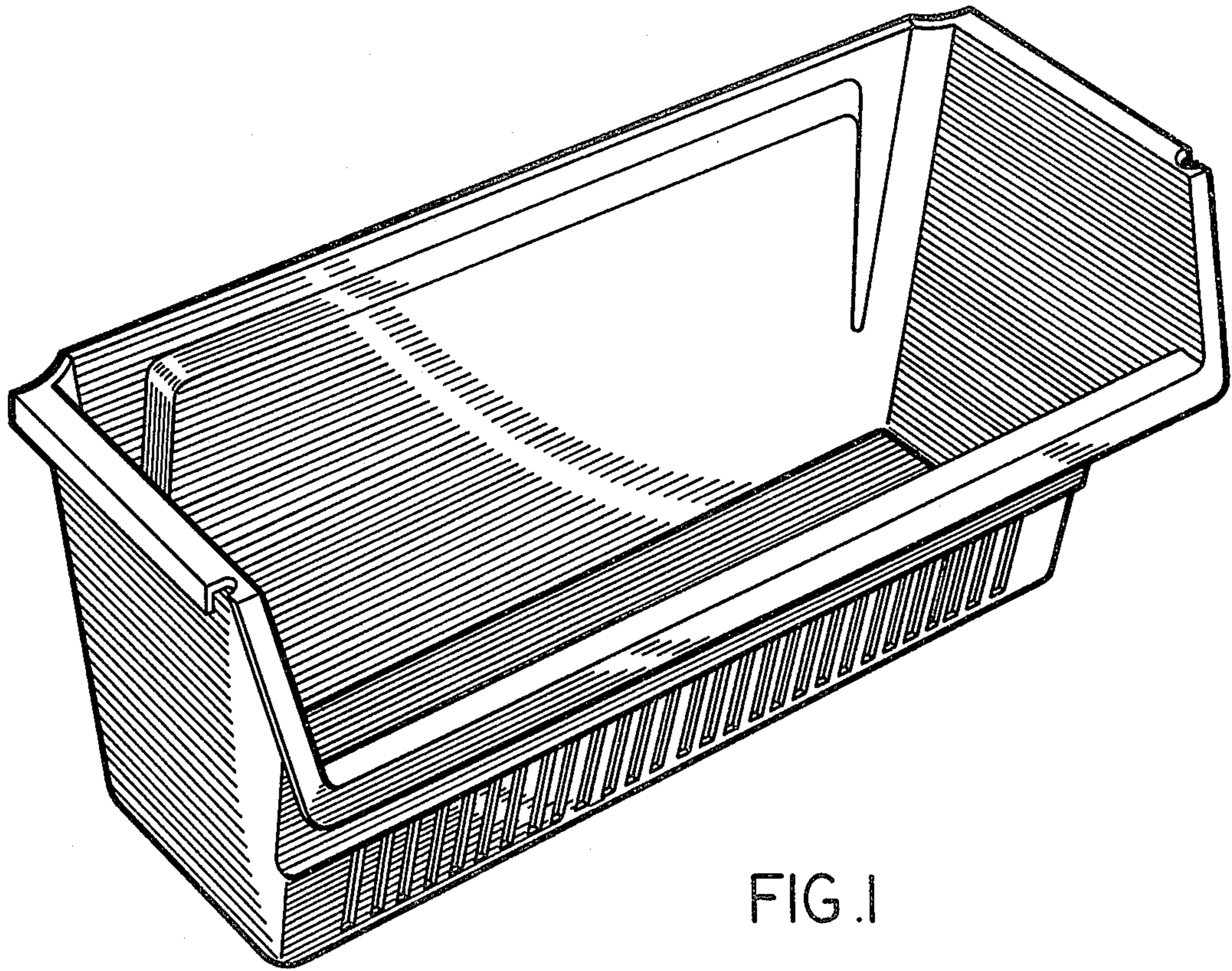


FIG. 1

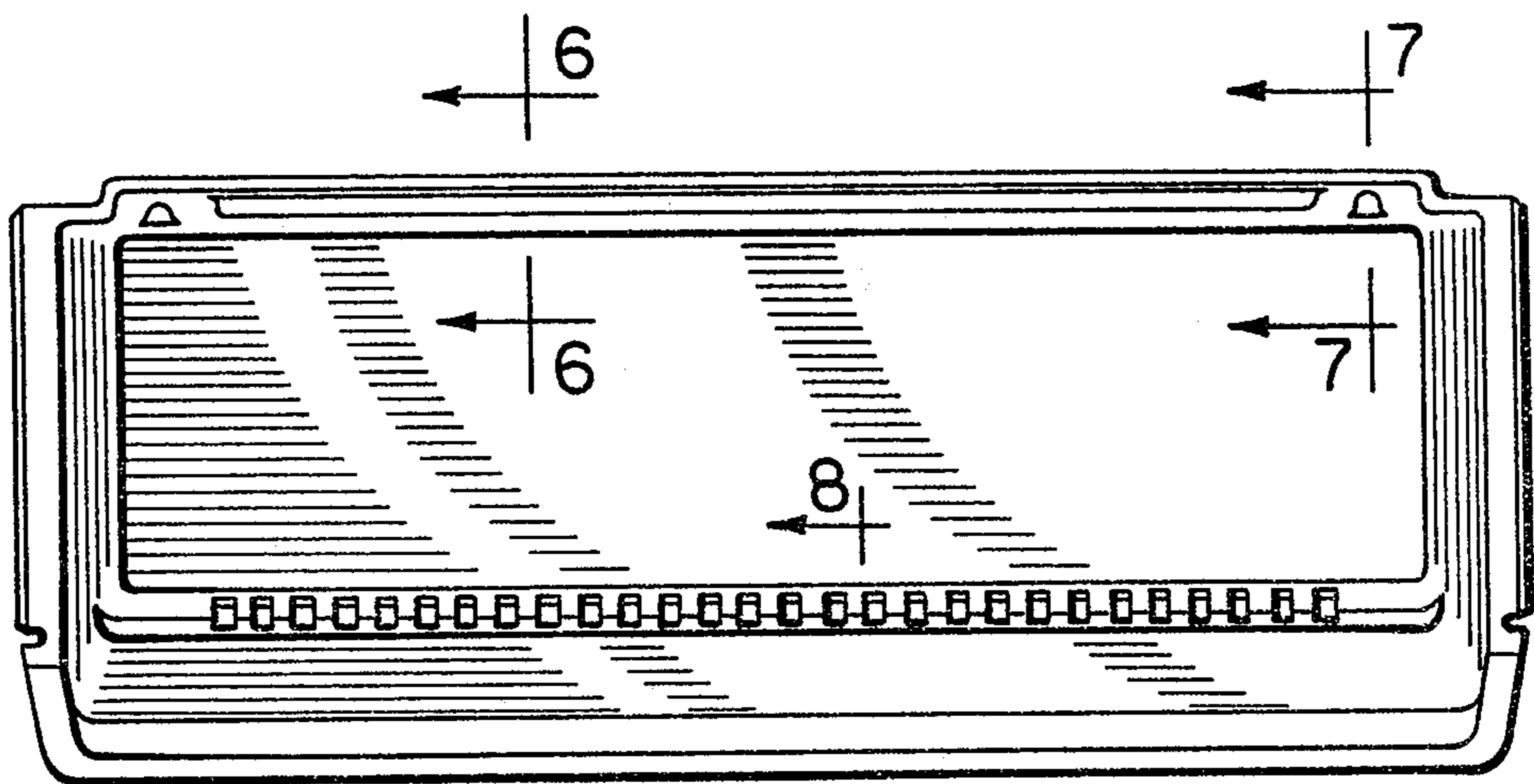


FIG. 2

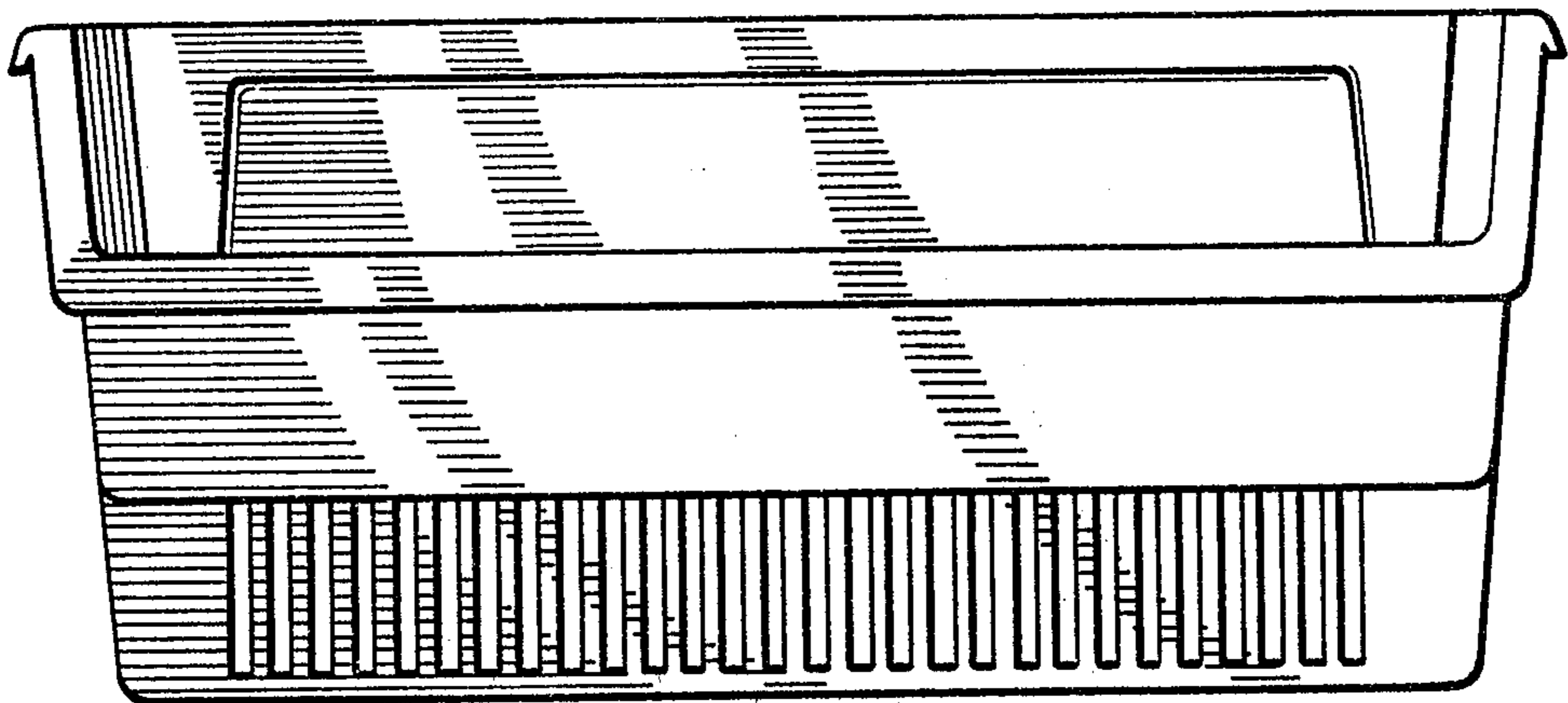


FIG. 3

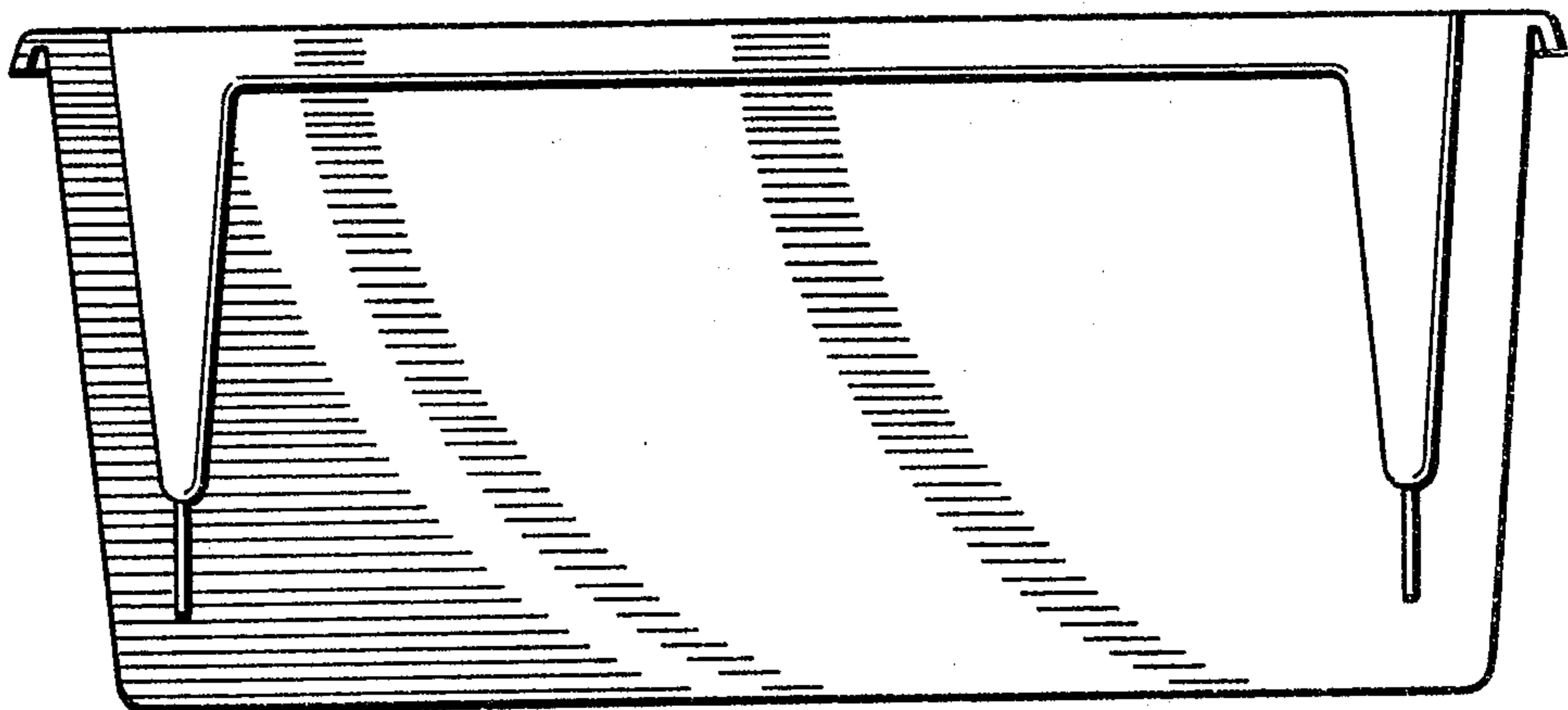


FIG. 4

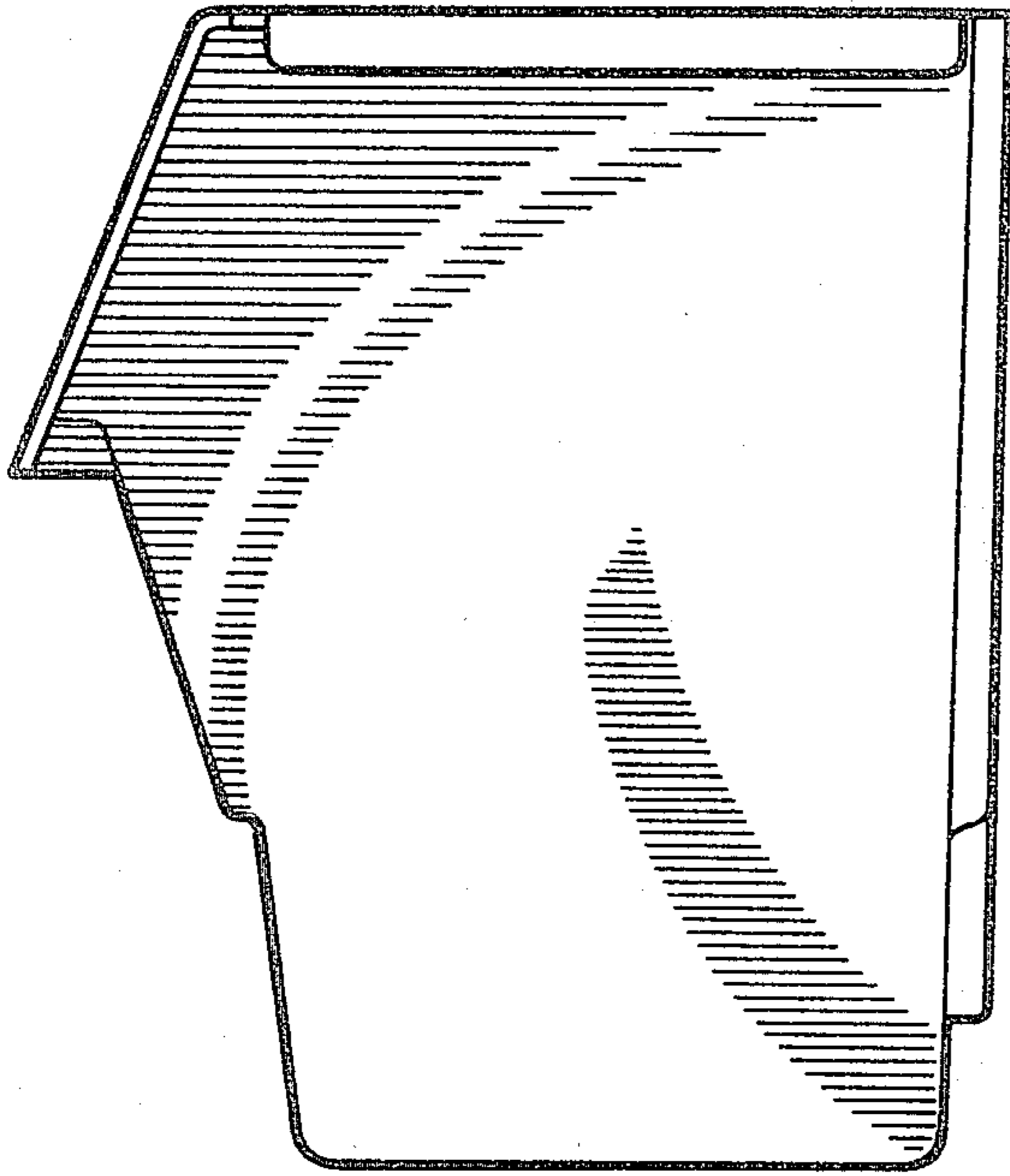


FIG. 5

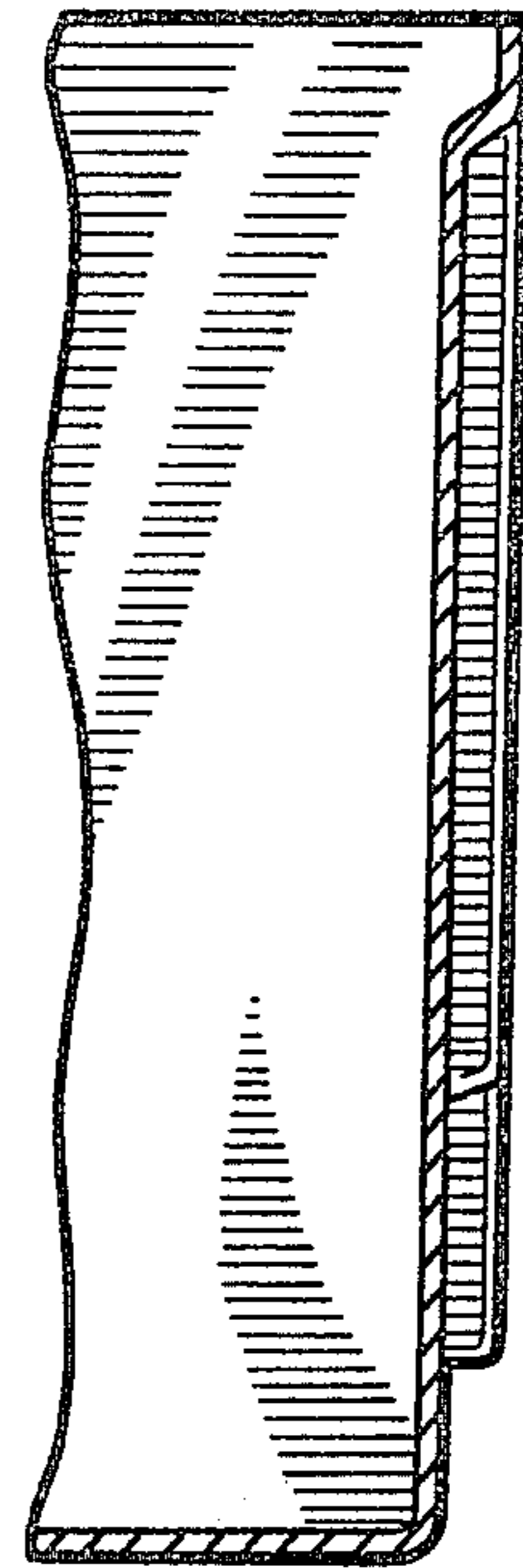


FIG. 6

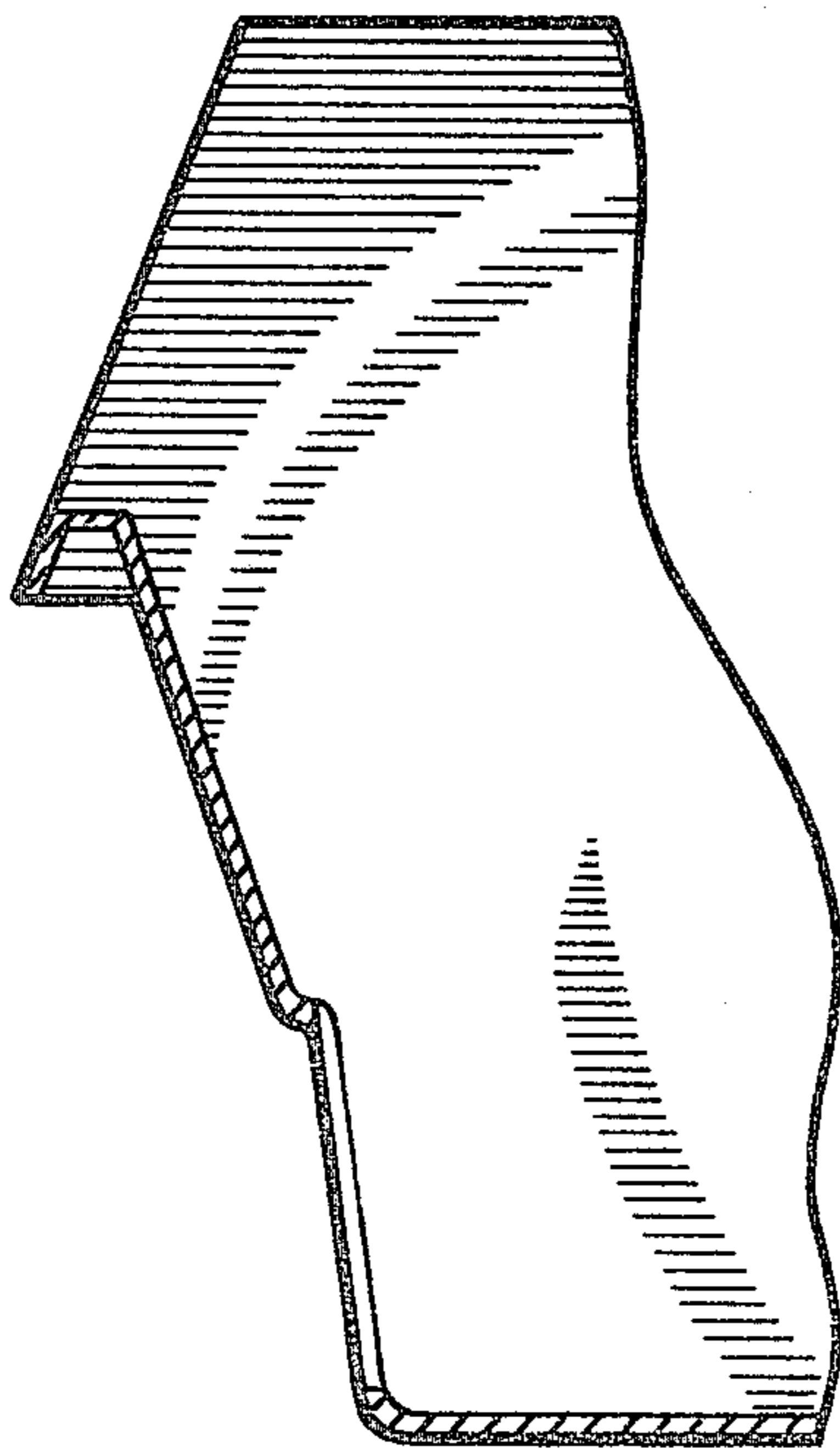


FIG. 8

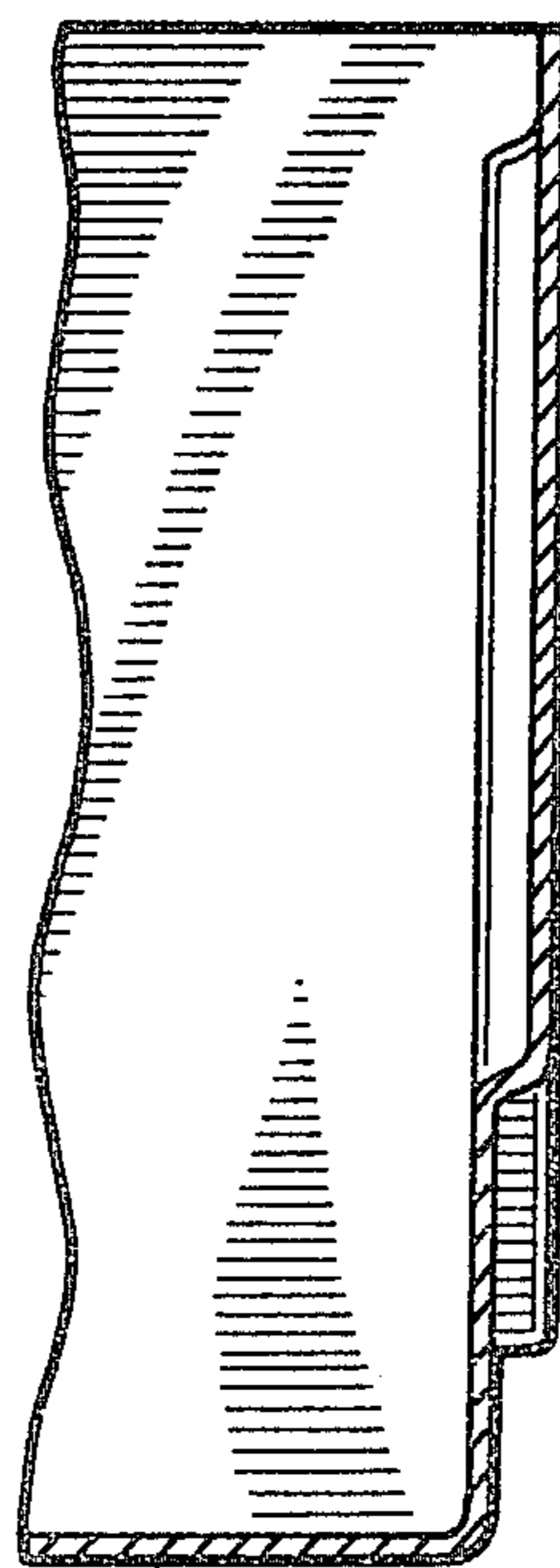


FIG. 7