

[54] MEMORIAL CONTAINER

[76] Inventor: Jene A. Brandel, 4898 Lazy H La.,
Christmas, Fla. 32709

[**] Term: 14 Years

[21] Appl. No.: 289,284

[22] Filed: Aug. 3, 1981

[52] U.S. Cl. D6/436; D6/470;
D99/17

[58] Field of Search D6/167, 168, 169, 170,
D6/171, 172, 175, 85; D99/17, 99, 5, 19

[56] References Cited

U.S. PATENT DOCUMENTS

- D. 89,766 5/1933 Hull D99/17
- D. 262,757 1/1982 Stiles et al. D6/85

Primary Examiner—Bernard Ansher
Assistant Examiner—Carmen H. Vales
Attorney, Agent, or Firm—Duckworth, Allen, Dyer &
Pettis

[57] CLAIM

The ornamental design for a memorial container, sub-
stantially as shown and described.

DESCRIPTION

FIG. 1 is an enlarged top perspective view of a memo-
rial container showing my new design, the drawers are
in open position for convenience of illustration;
FIG. 2 is a top plan view thereof;
FIG. 3 is a left side elevational view thereof;
FIG. 4 is an enlarged bottom perspective view thereof;
FIG. 5 is a front elevational view thereof; and
FIG. 6 is a rear elevational view thereof.

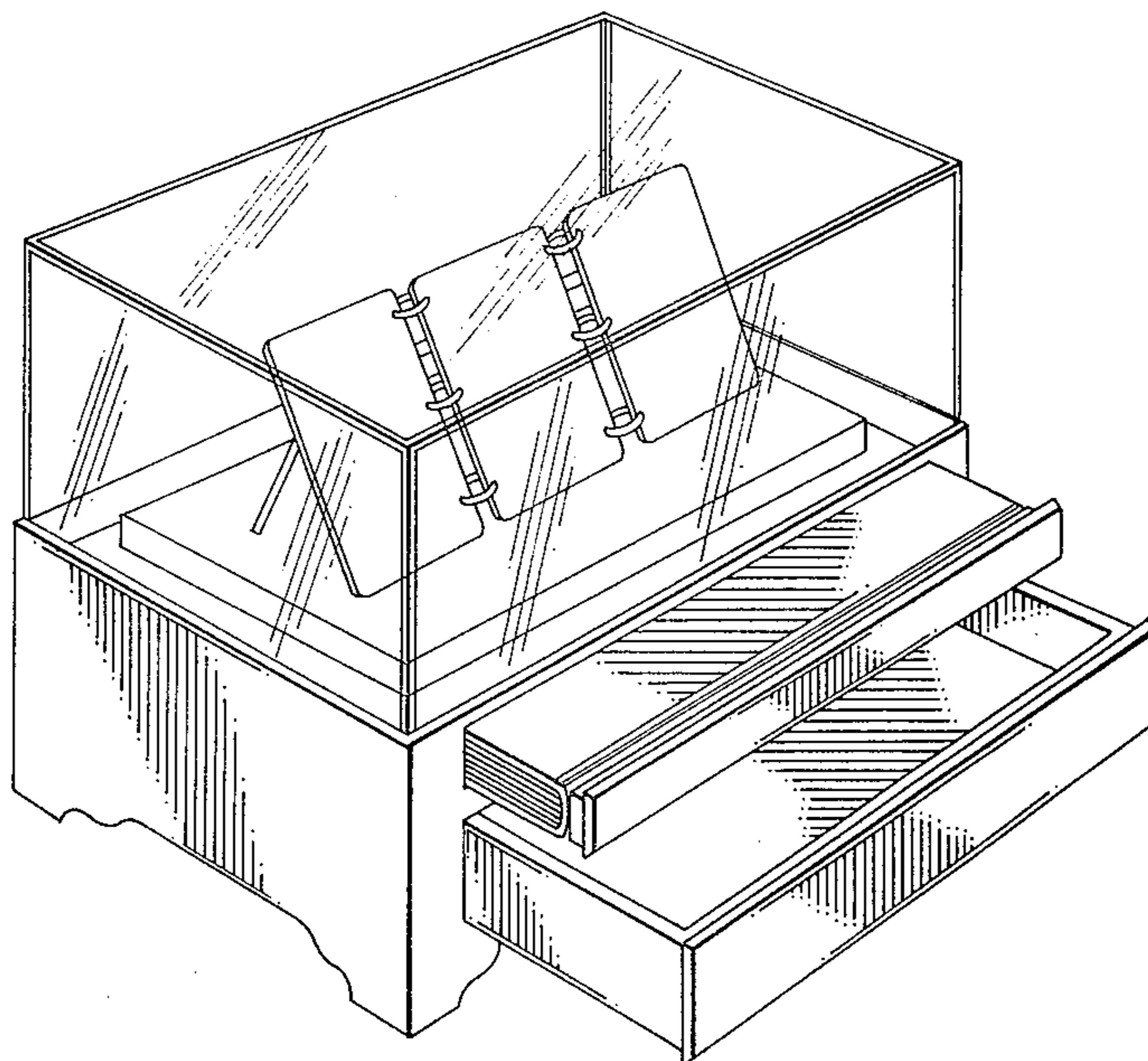


FIG. 1

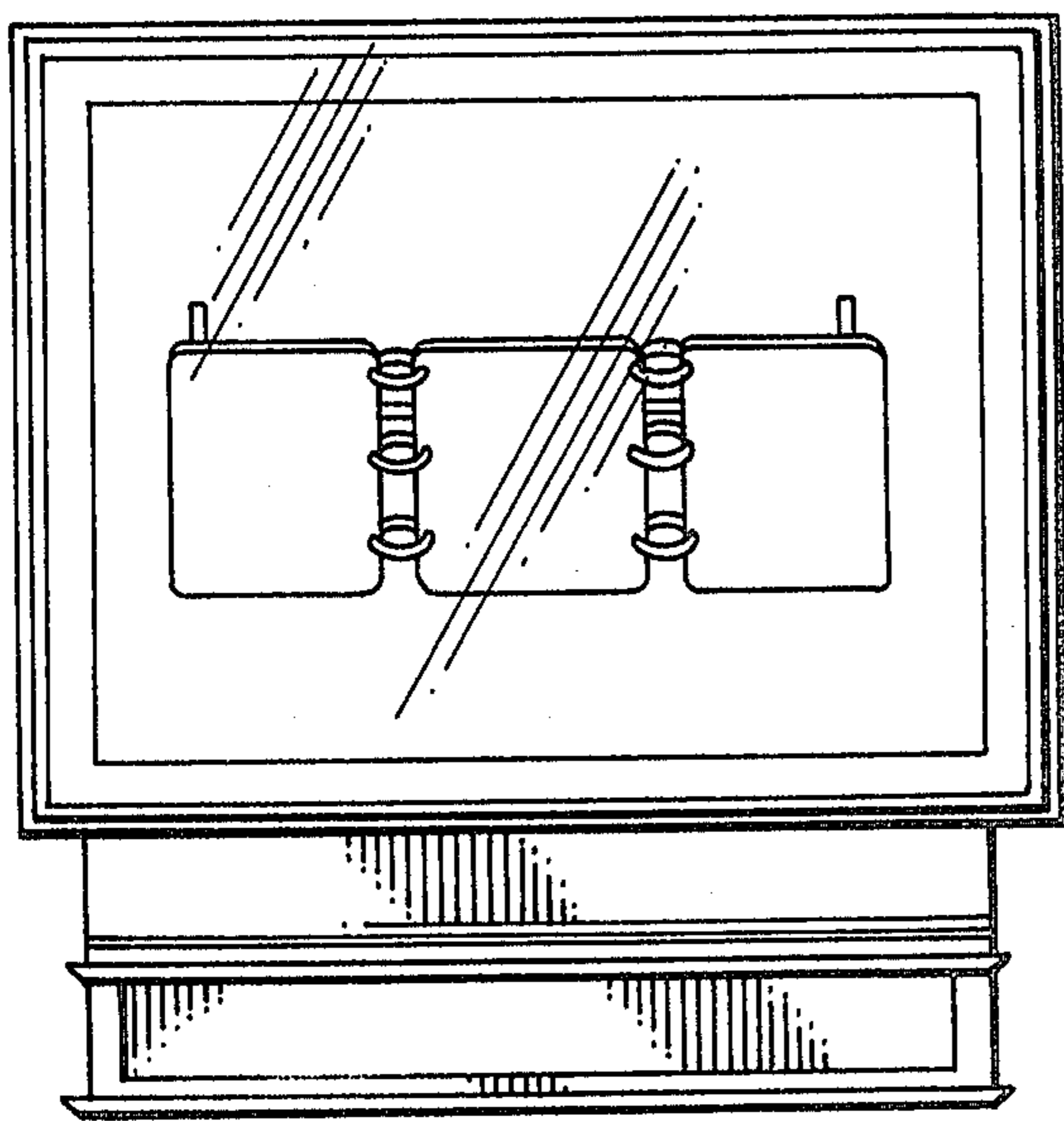
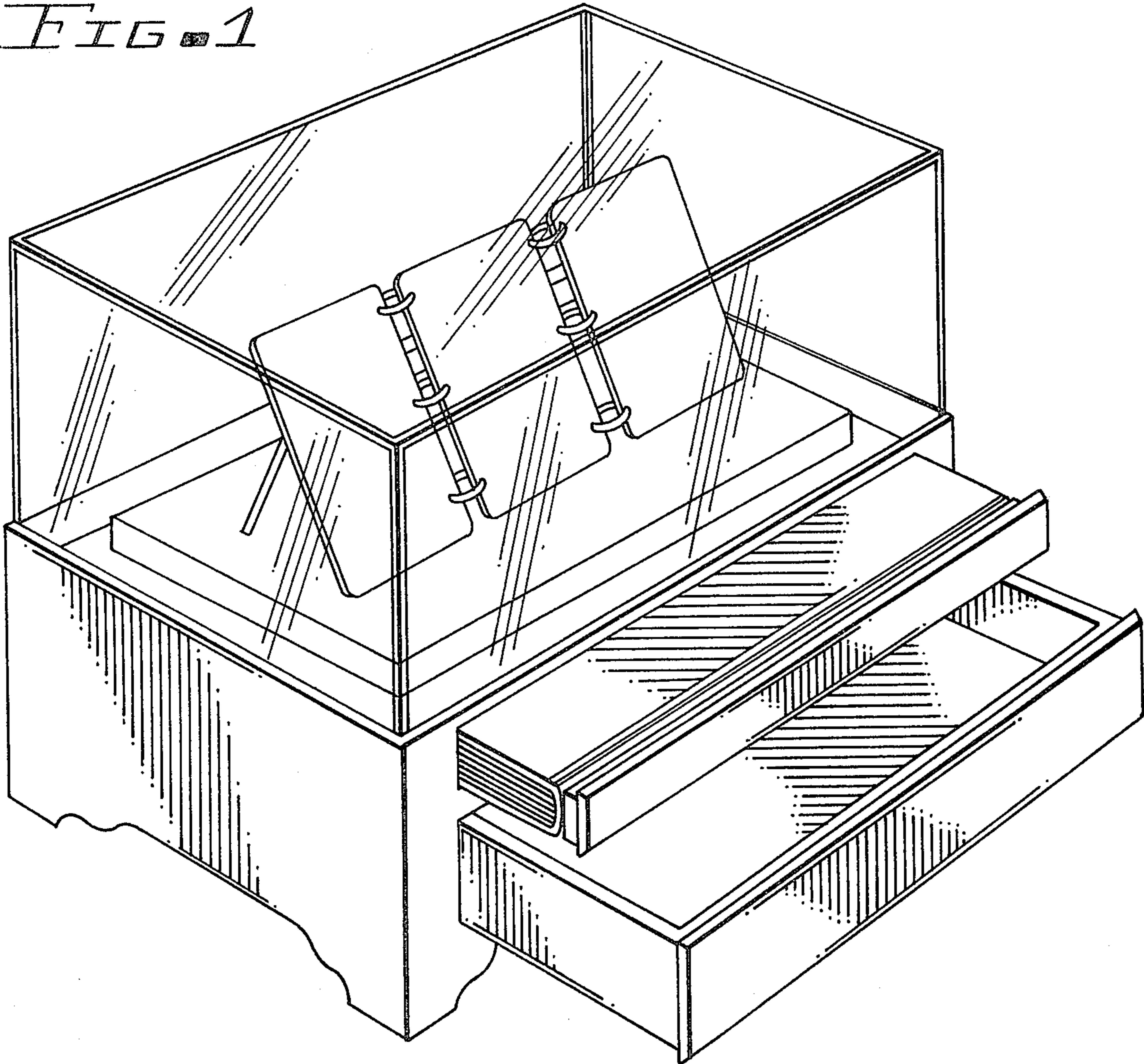


FIG. 2

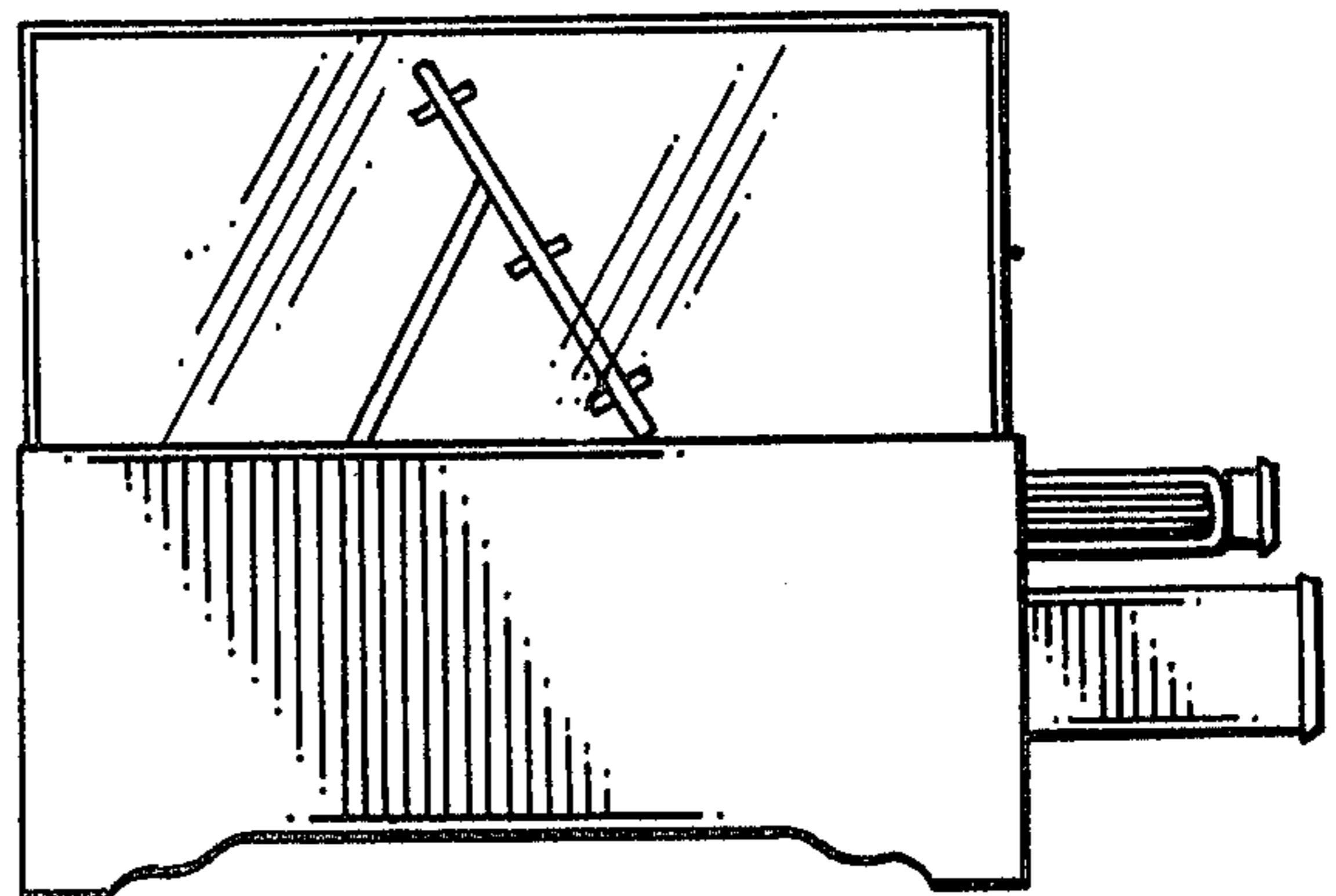


FIG. 3

FIG. 4

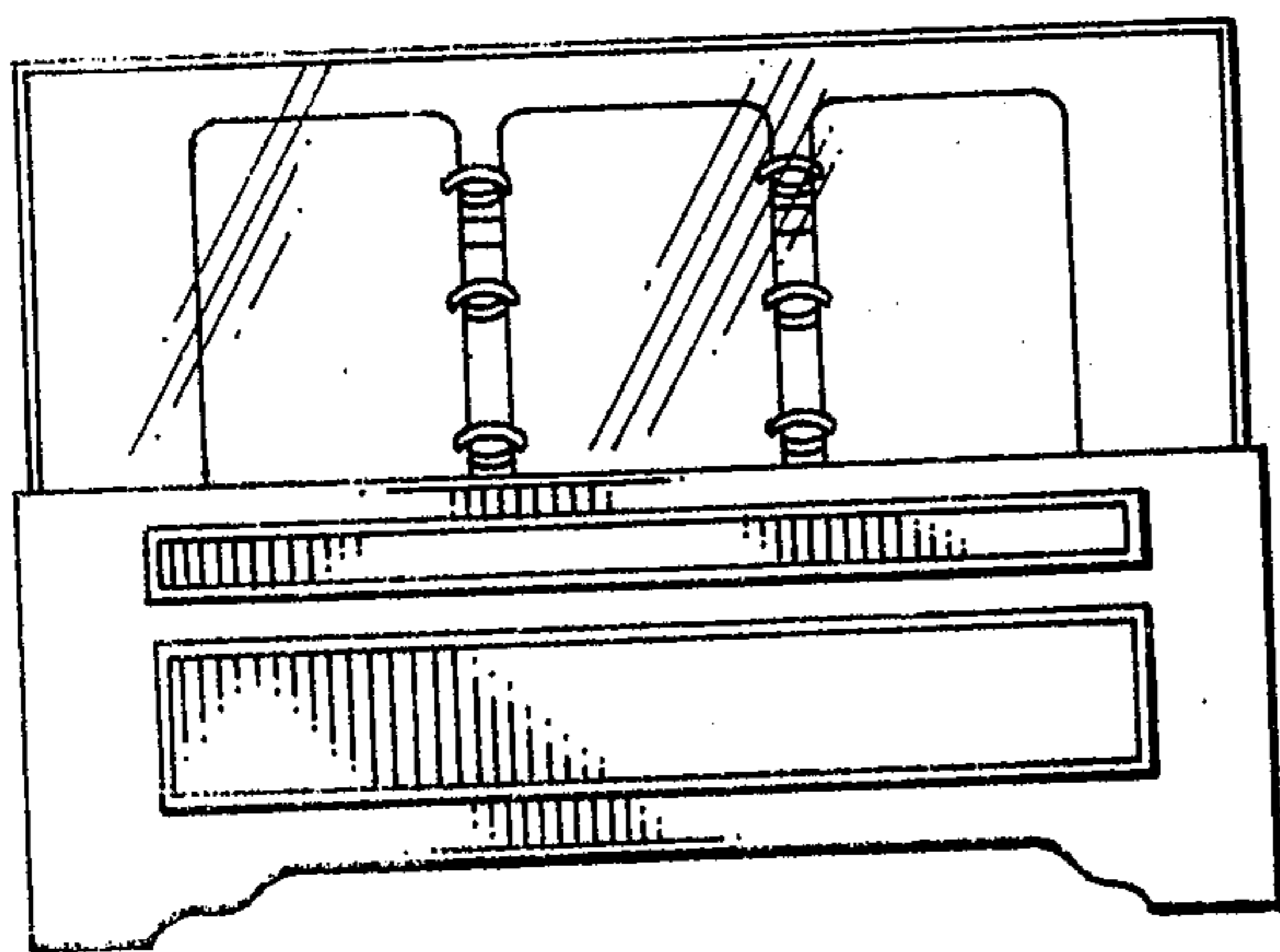
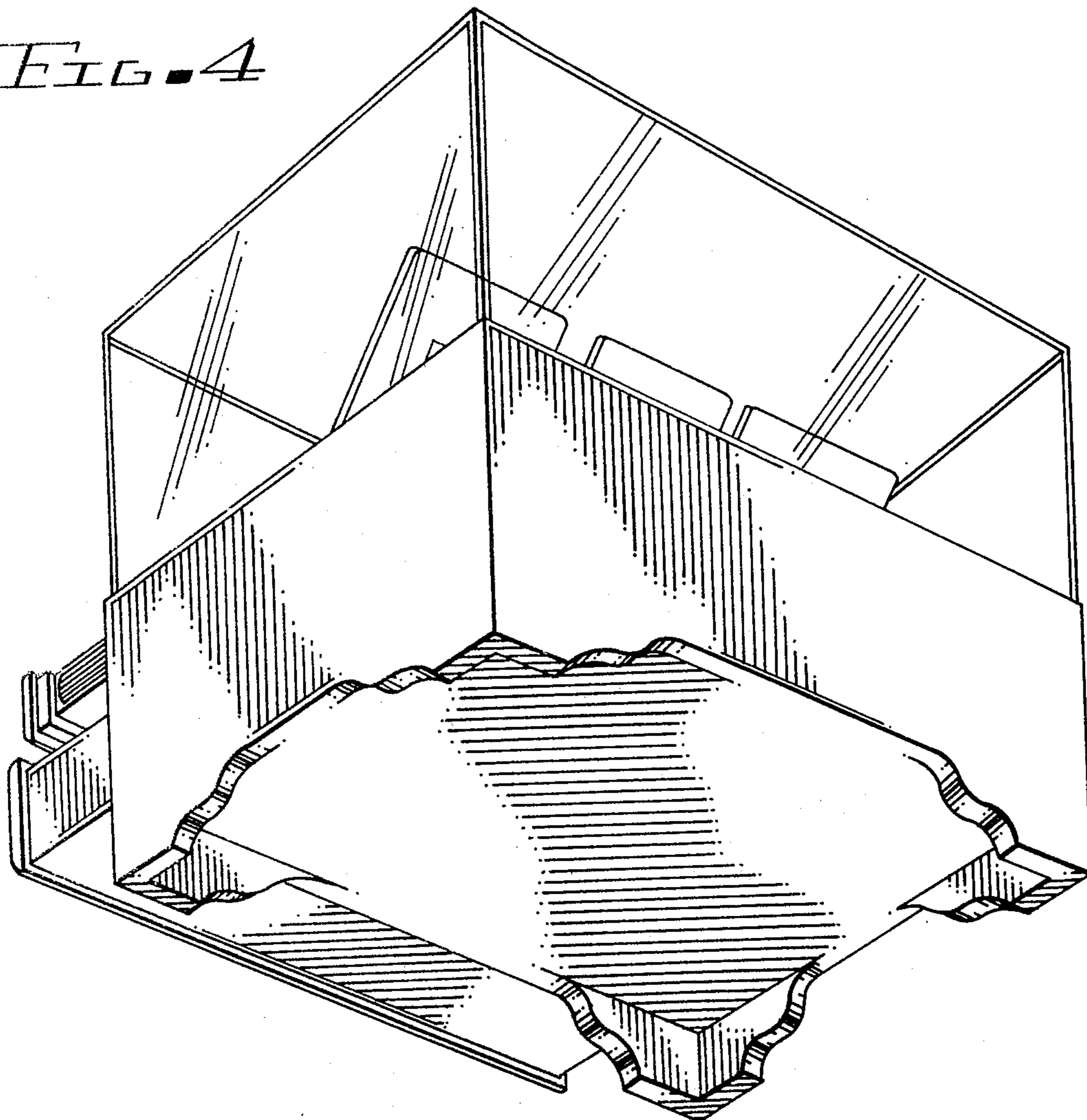


FIG. 5

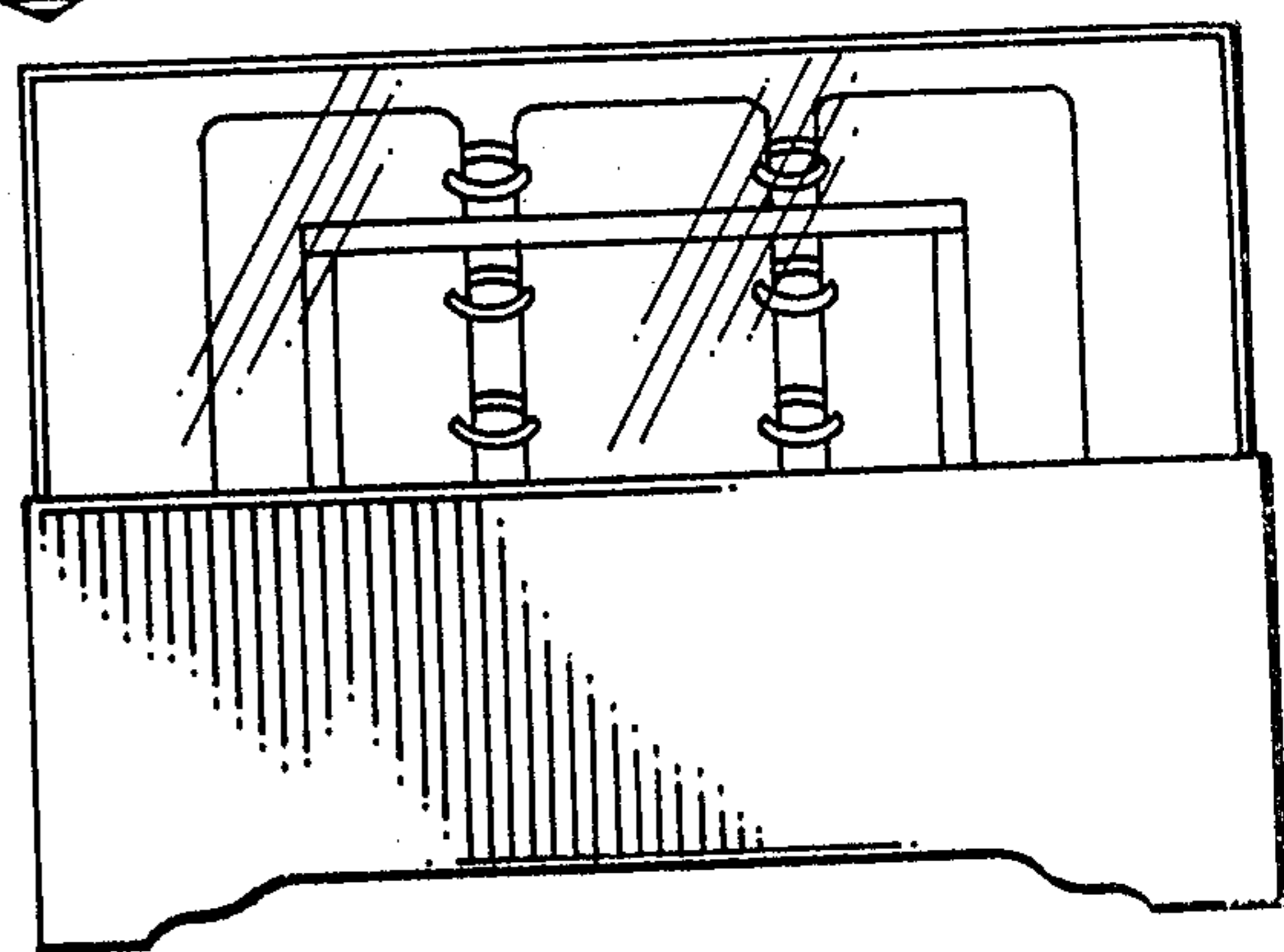


FIG. 6