

United States Patent [19]

Hydrusko et al.

[11] Patent Number: **Des. 275,912**

[45] Date of Patent: **** Oct. 16, 1984**

[54] **CHILD'S BED**

[76] Inventors: **Lawrence P. Hydrusko, 1635
Manitoba Dr.; Henry Harvey, 1133
Bennington Dr., both of Sunnyvale,
Calif. 94087**

[**] Term: **14 Years**

[21] Appl. No.: **339,989**

[22] Filed: **Jan. 18, 1982**

[52] U.S. Cl. **D6/388; D21/137**

[58] Field of Search **D6/5, 7-12,
D6/68, 151-153; D21/137**

[56] **References Cited**

U.S. PATENT DOCUMENTS

D. 167,632 9/1952 Jackson **D6/5 X**
D. 191,364 9/1961 Schoendorf **D6/5**

D. 227,422 6/1973 McClellan **D6/12 X**
D. 246,613 12/1977 Ogawa **D21/137**
D. 261,912 11/1981 Breneman **D21/137**
D. 268,940 5/1983 Head **D21/137**

Primary Examiner—Bruce W. Dunkins
Attorney, Agent, or Firm—Paul Hentzel

[57] **CLAIM**

The ornamental design for a child's bed, as shown and described.

DESCRIPTION

FIG. 1 is a front elevational view of a child's bed showing our design;
FIG. 2 is a side view;
FIG. 3 is a rear view;
FIG. 4 is a top view;
FIG. 5 is a front perspective view; and
FIG. 6 is a rear perspective view thereof.

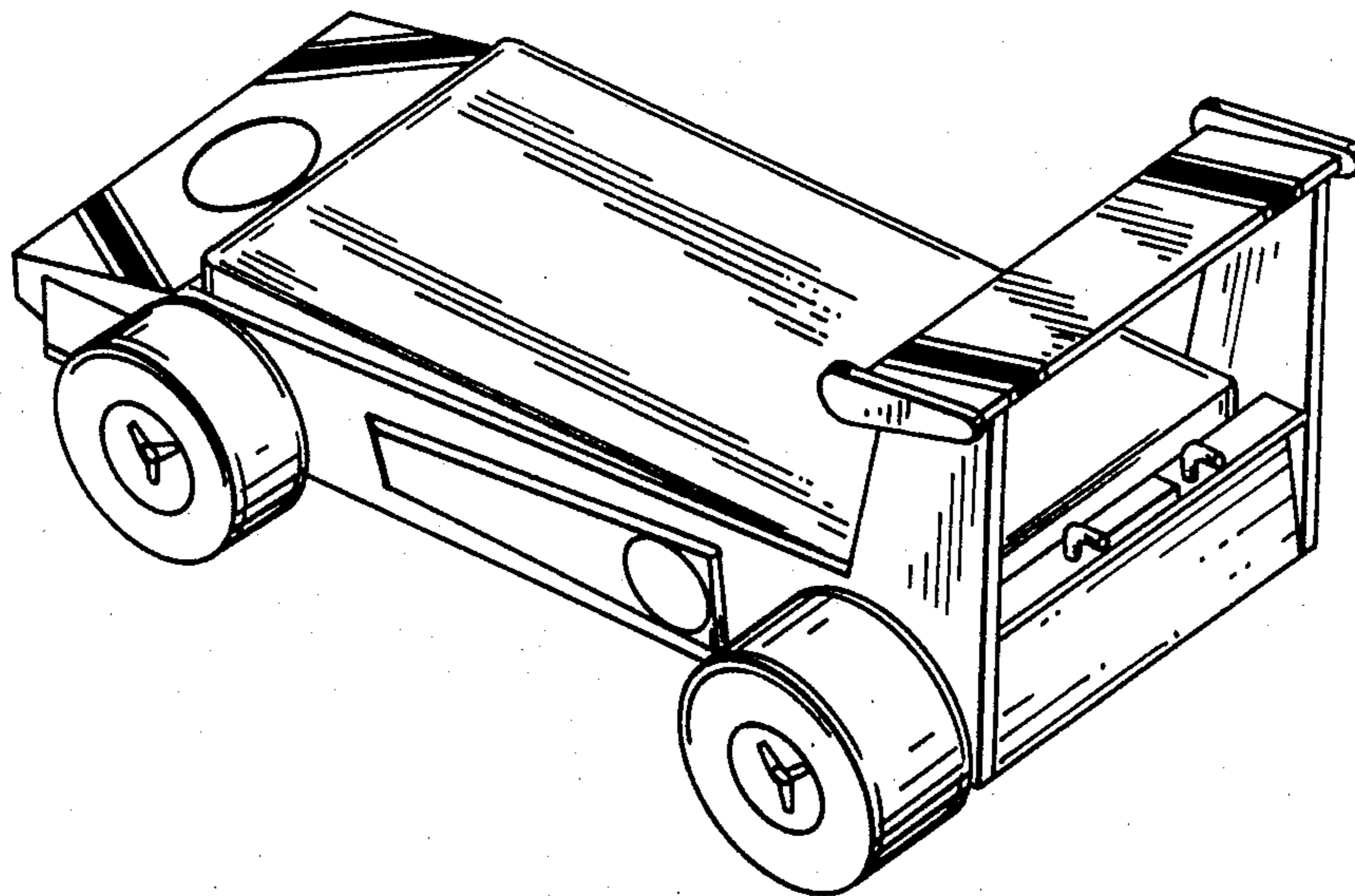


FIG. 1

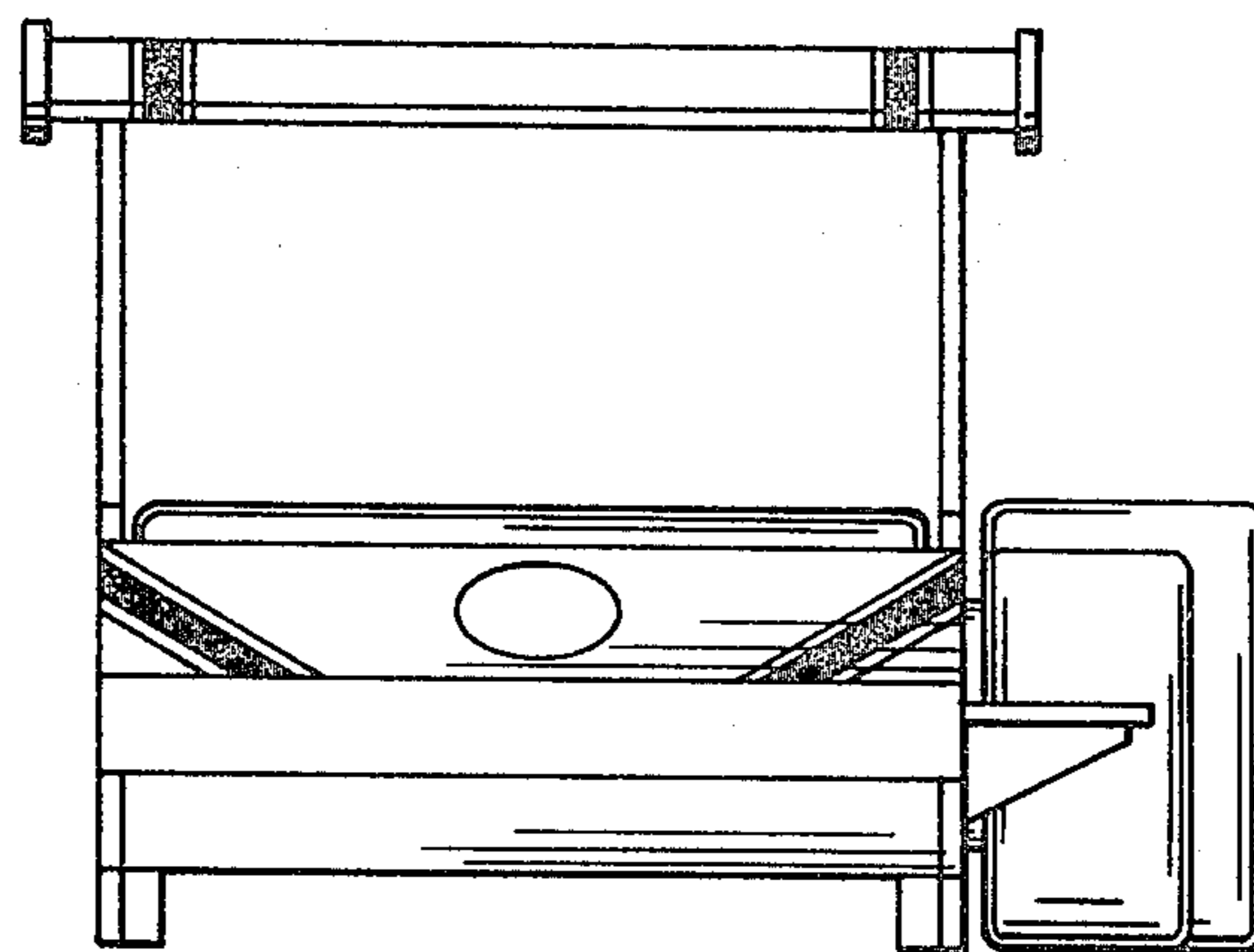


FIG. 2

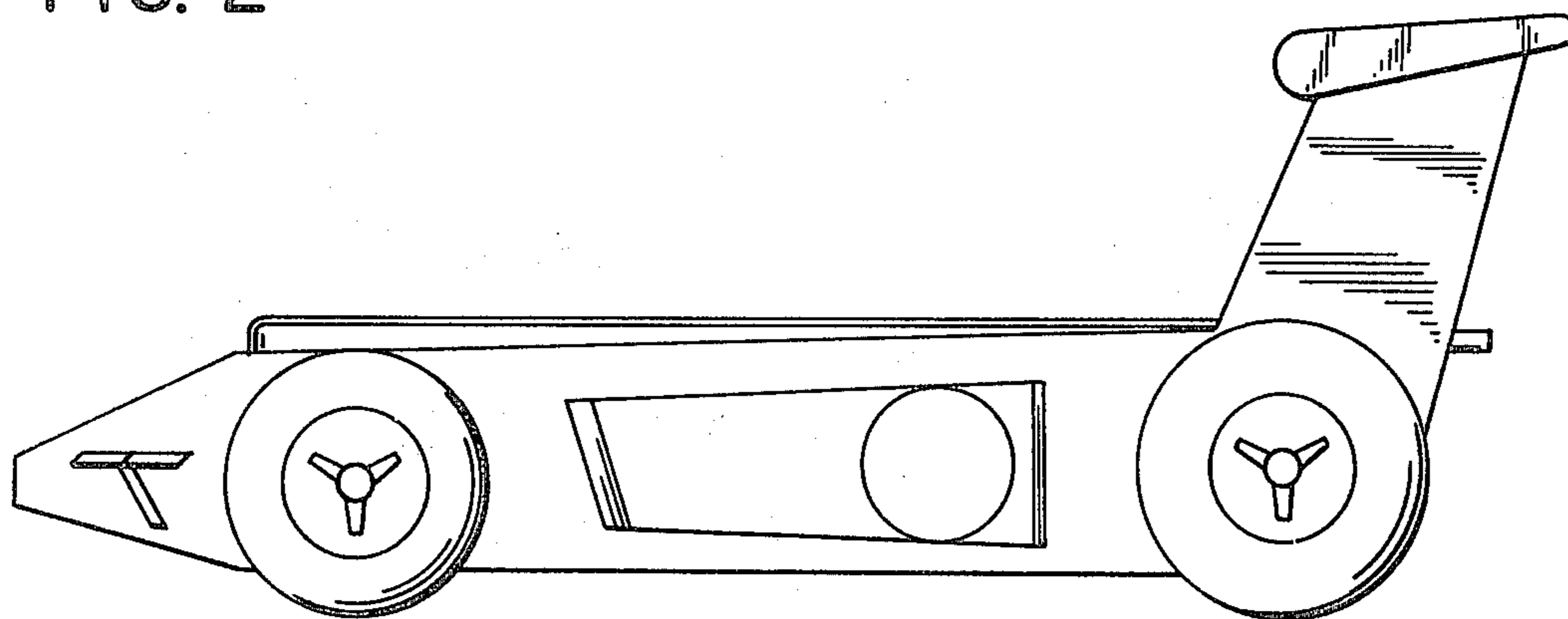


FIG. 3

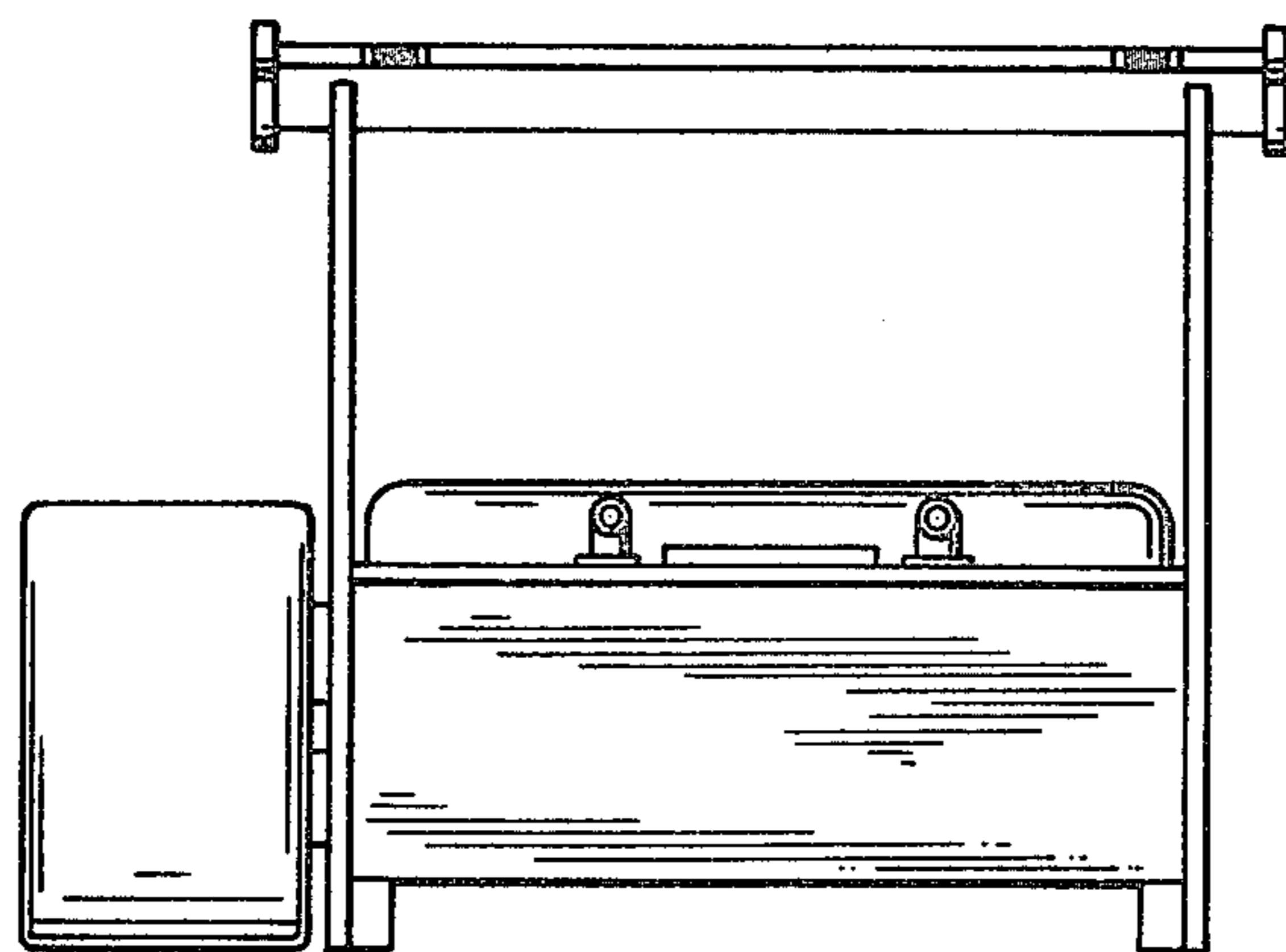


FIG. 4

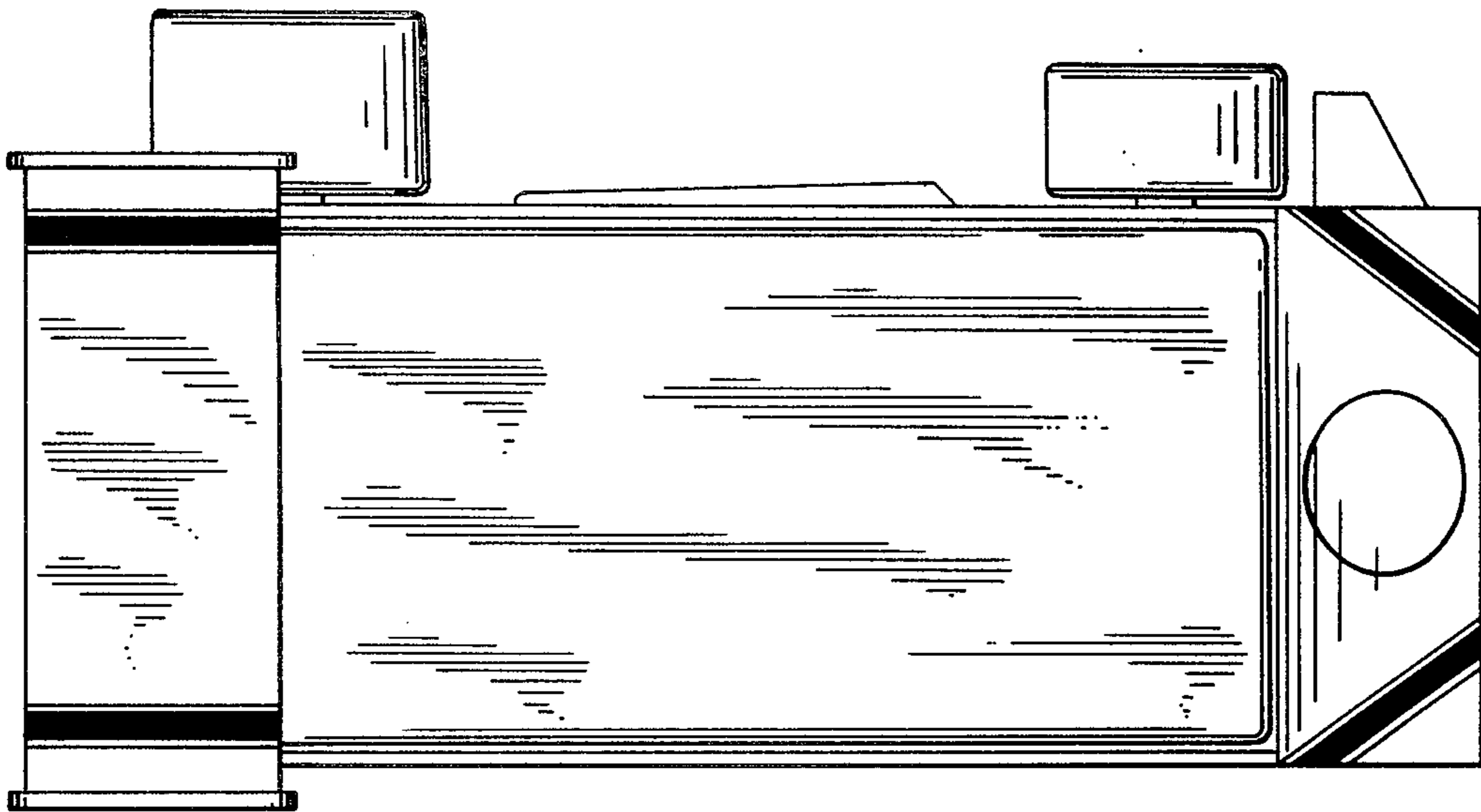


FIG. 5

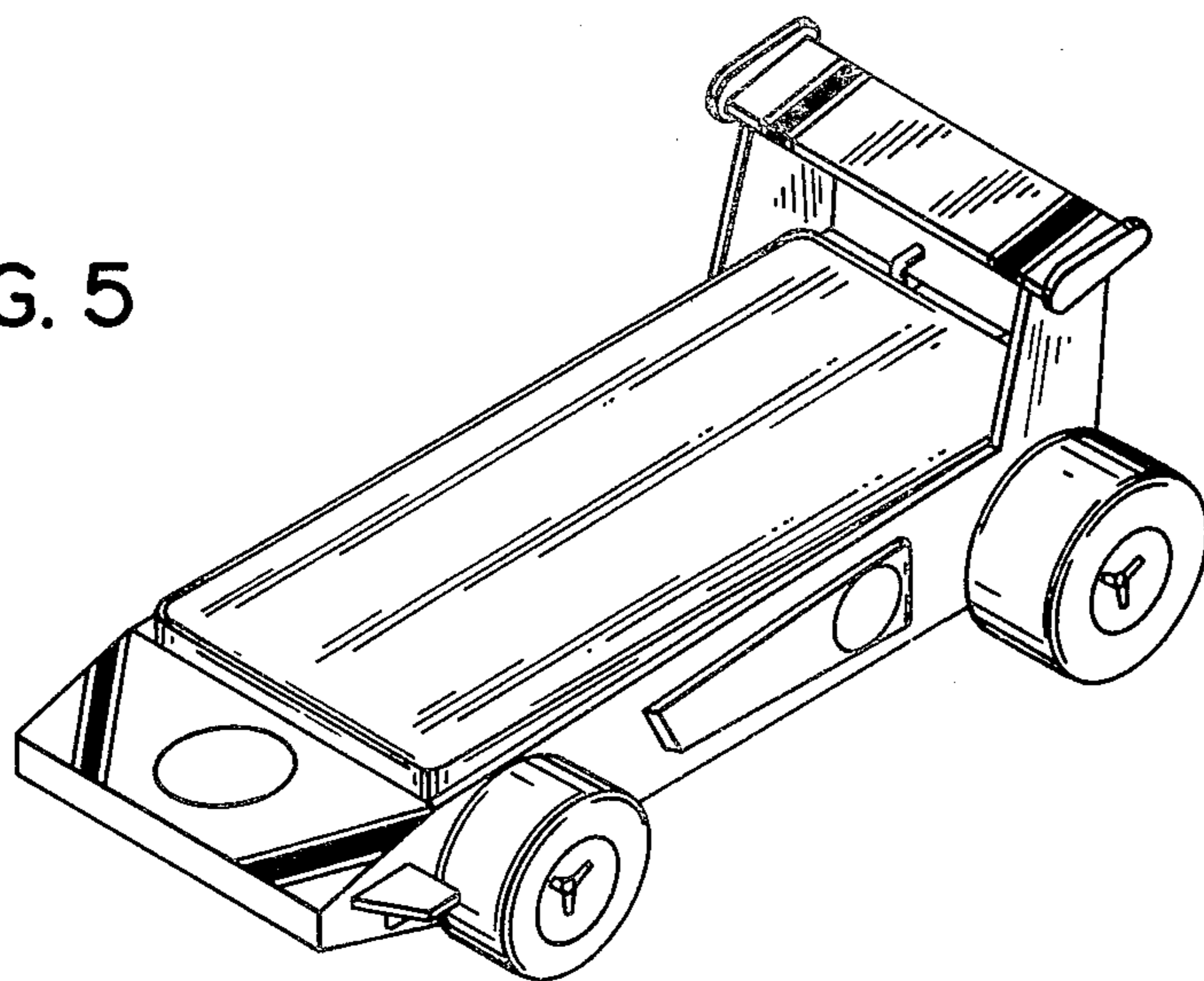


FIG. 6

