

[54] **LUGGAGE CASE**

[75] **Inventor:** Makio Hasuike, Milan, Italy  
[73] **Assignee:** Poltrona Frau S.p.A., Tolentino, Italy  
[\*\*] **Term:** 14 Years  
[21] **Appl. No.:** 338,495  
[22] **Filed:** Jan. 11, 1982  
[52] **U.S. Cl. ....** D3/76; D3/72  
[58] **Field of Search ....** D3/30.1, 33, 35, 70,  
D3/72, 73, 76, 77; 190/41 R, 42, 57

4,318,505 3/1982 Cordell ..... D3/73

*Primary Examiner*—George P. Word  
*Attorney, Agent, or Firm*—Young & Thompson

[57] **CLAIM**

The ornamental design for a luggage case, as shown and described.

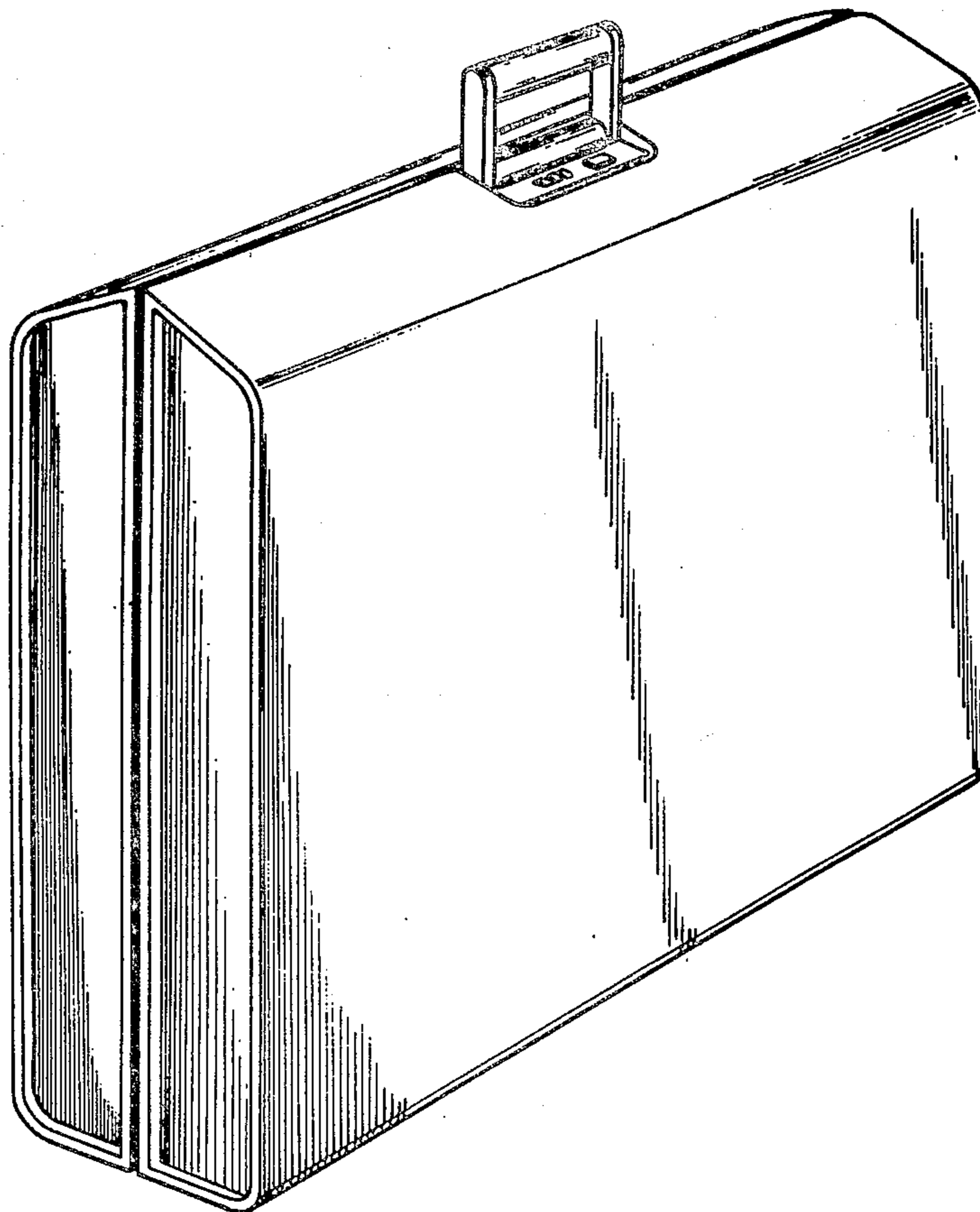
**DESCRIPTION**

FIG. 1 is a perspective view of a luggage case showing my new design;  
FIG. 2 is an enlarged scale fragmentary perspective view of the handle portion with the identification flap open;  
FIG. 3 is a front elevational view of FIG. 1;  
FIG. 4 is a rear elevational view thereof;  
FIG. 5 is a left side elevational view of FIG. 3;  
FIG. 6 is a right side elevational view thereof;  
FIG. 7 is a top plan view thereof; and  
FIG. 8 is a bottom plan view thereof.

[56] **References Cited**

**U.S. PATENT DOCUMENTS**

D. 121,436 7/1940 Gralnick ..... D3/76  
D. 153,658 5/1949 Arbib ..... D3/72  
D. 153,659 5/1949 Arbib ..... D3/72  
D. 159,749 8/1950 Chanian ..... D3/76



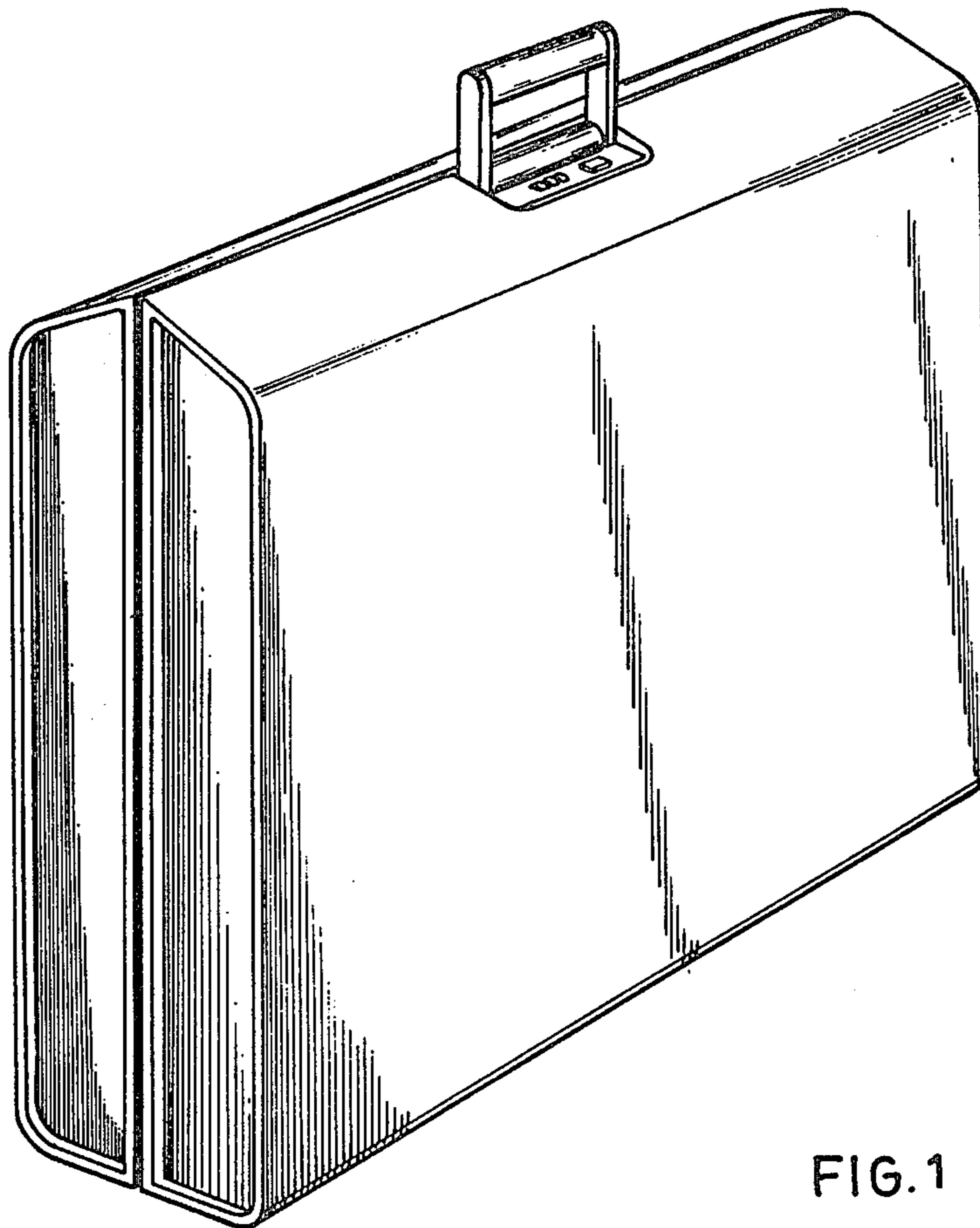
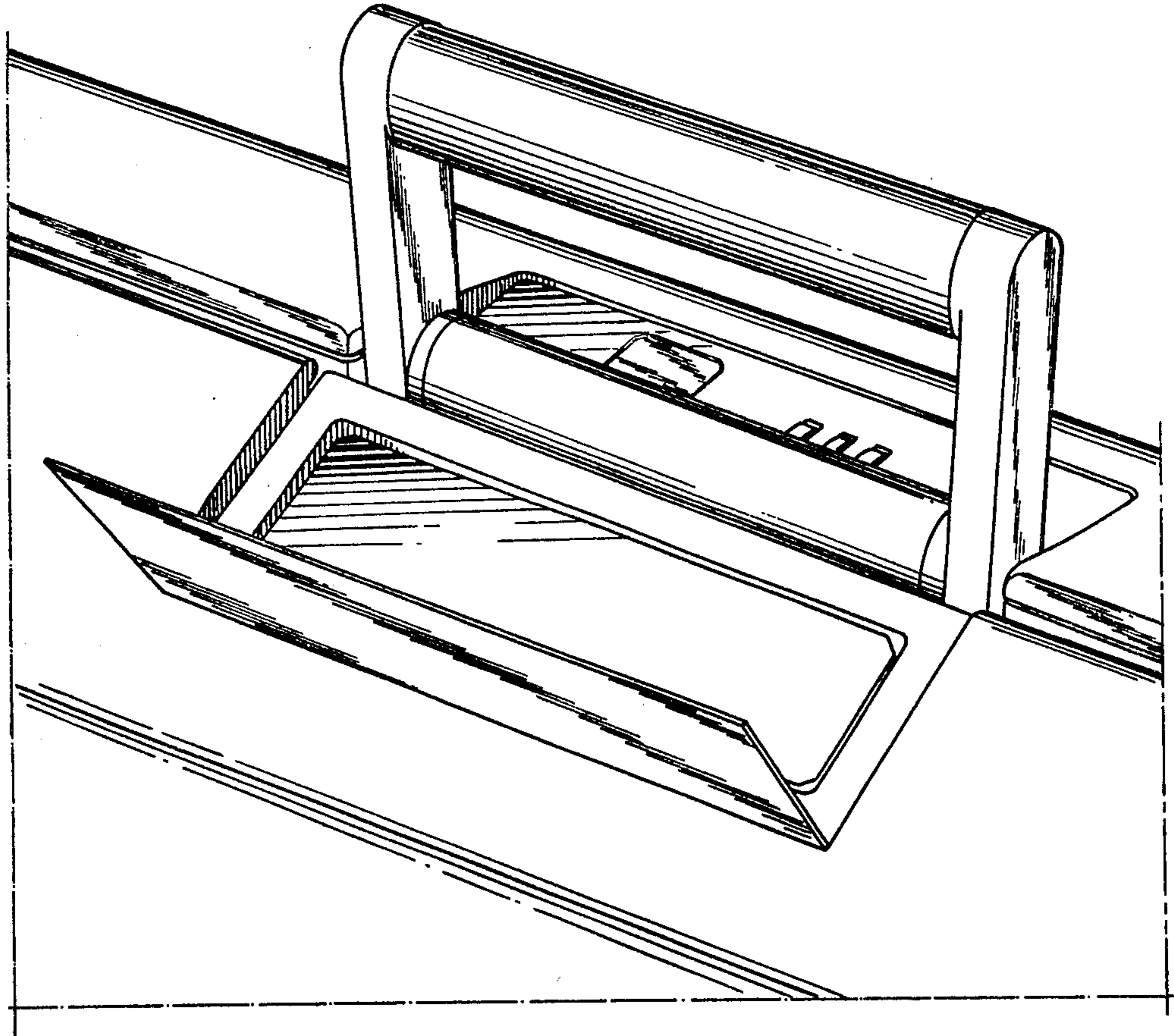


FIG. 1

FIG. 2



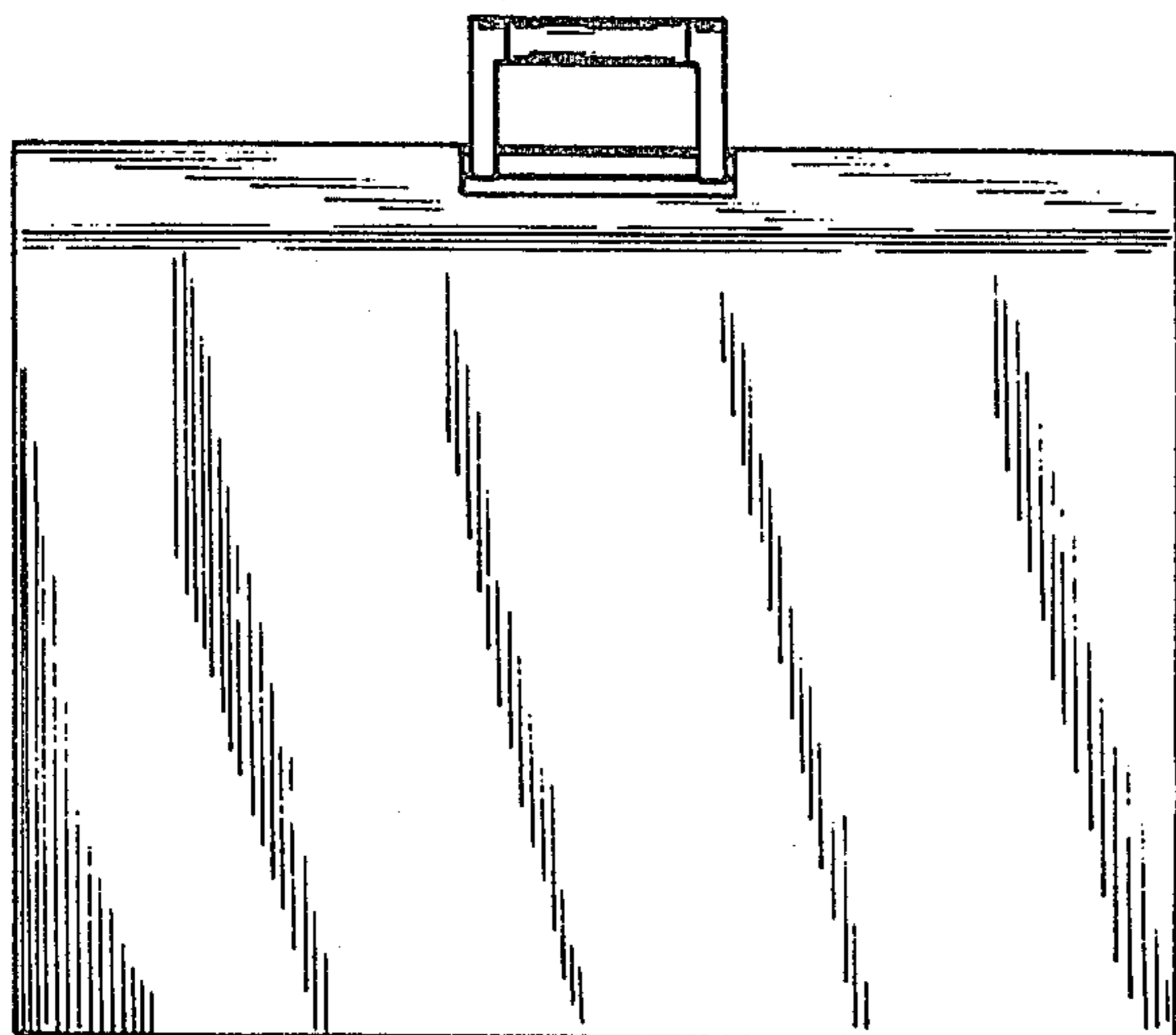


FIG. 3

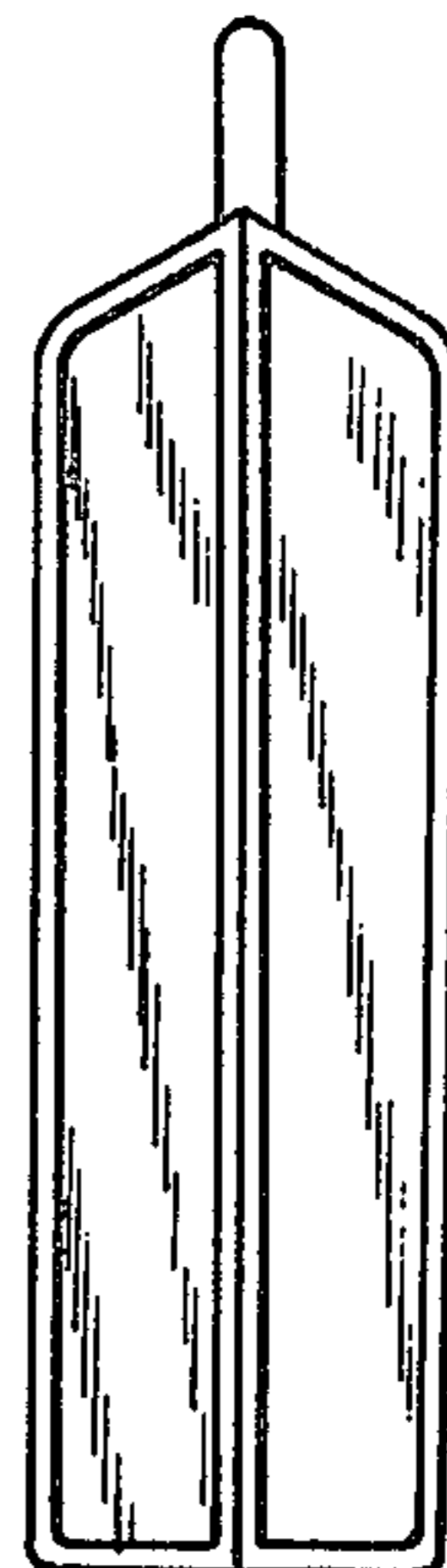


FIG. 5

FIG. 4

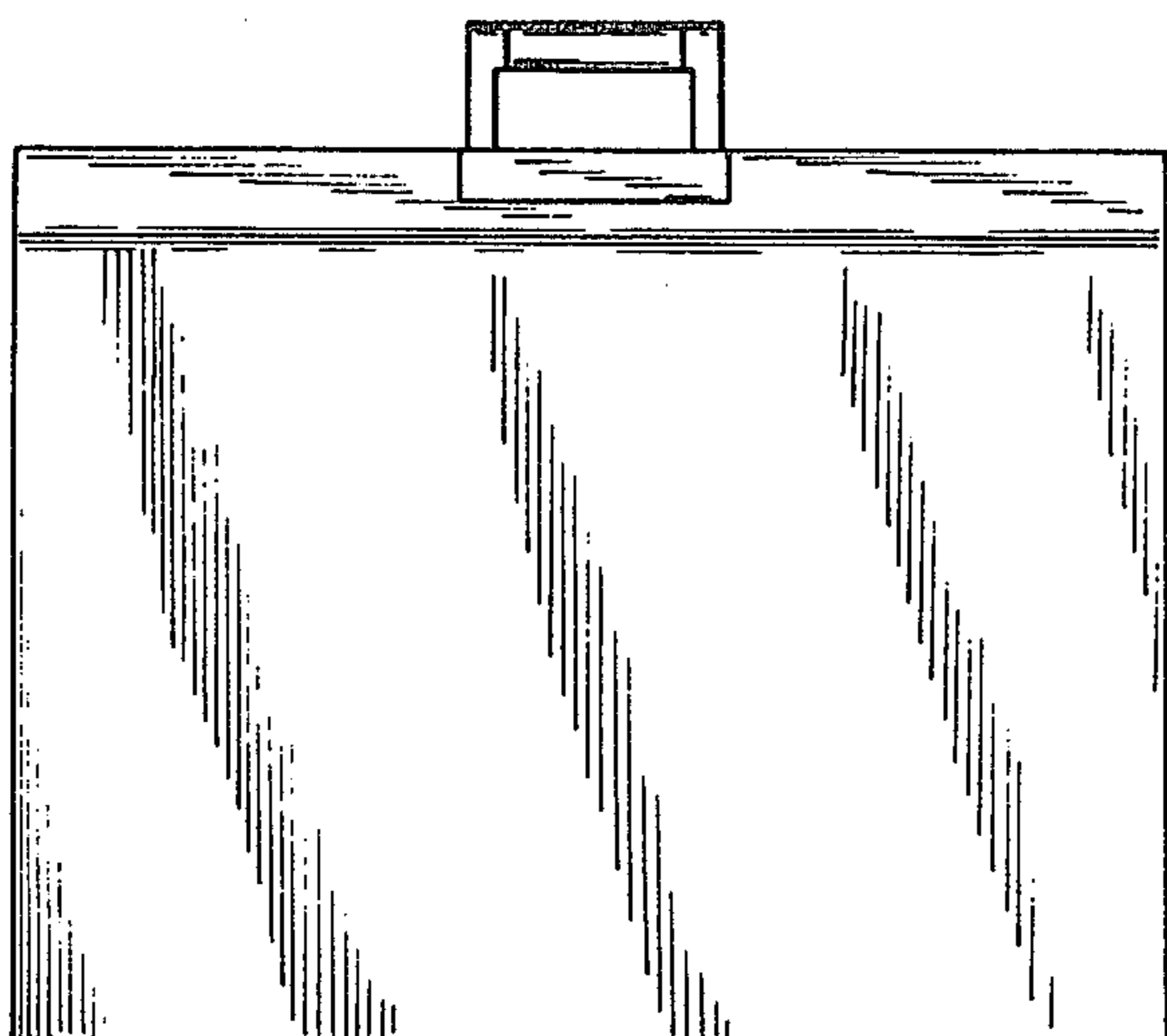


FIG. 6



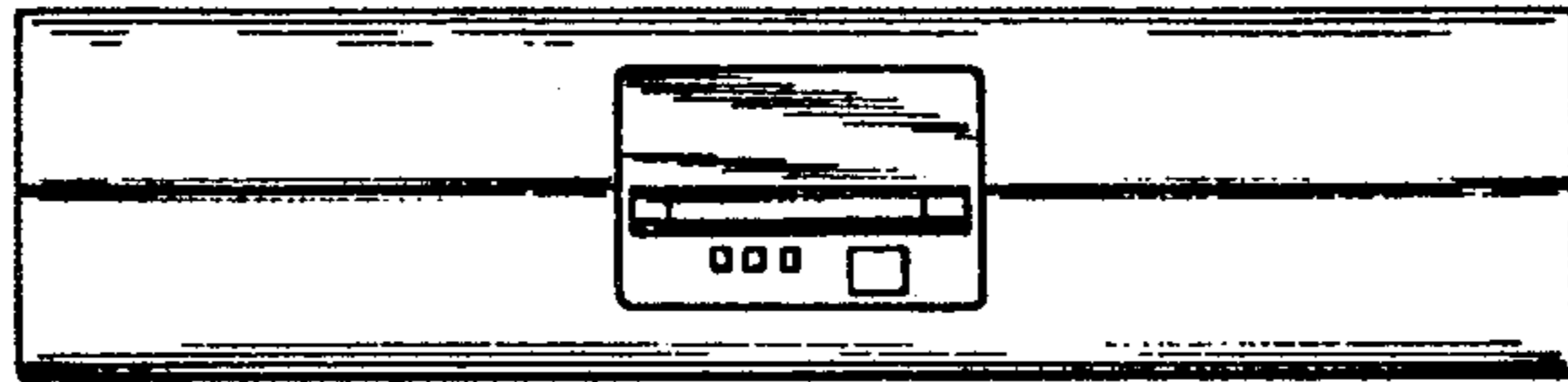


FIG. 7

FIG. 8

