

[54] PURSE

[75] Inventor: Otto K. Schimmel, Scottsdale, Ariz.

[73] Assignee: AMBA Marketing Systems, Inc.,  
Phoenix, Ariz.

[\*\*] Term: 14 Years

[21] Appl. No.: 365,492

[22] Filed: Apr. 5, 1982

[52] U.S. Cl. .... D3/48; D3/52;  
D3/53; D3/71

[58] Field of Search ..... D3/42, 48-53,  
D3/71; 150/28 R, 42

[56]

References Cited

U.S. PATENT DOCUMENTS

D. 157,984	4/1950	Kitzes	.....	D3/50
D. 240,090	5/1976	Siegel	.....	D3/48
D. 260,198	8/1981	Siegel	.....	D3/52
D. 260,199	8/1981	Siegel	.....	D3/48
D. 263,649	4/1982	Schimmel	.....	D3/52
D. 264,020	4/1982	Schimmel	.....	D3/52

Primary Examiner—George P. Word  
Attorney, Agent, or Firm—Gregory J. Nelson

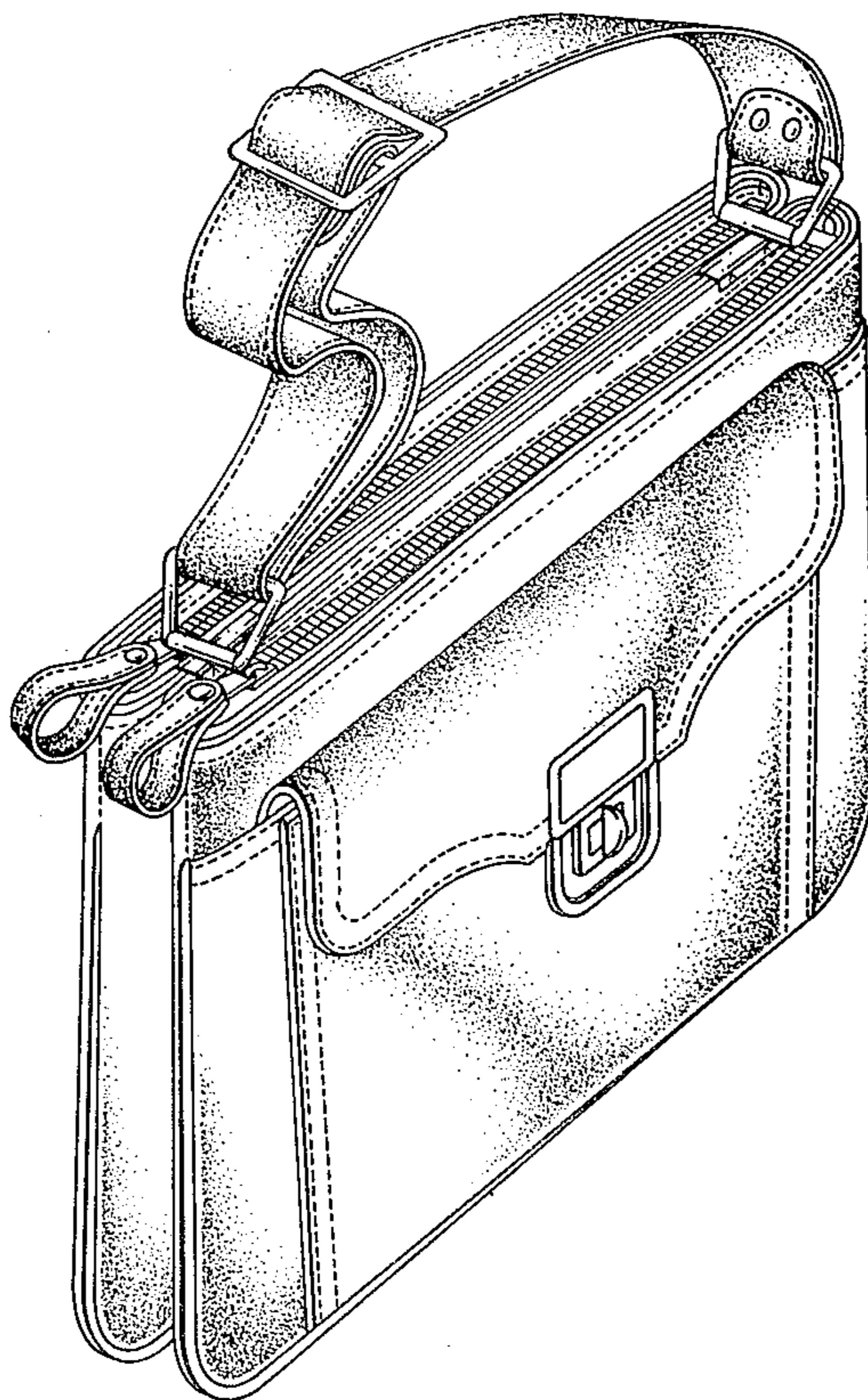
[57]

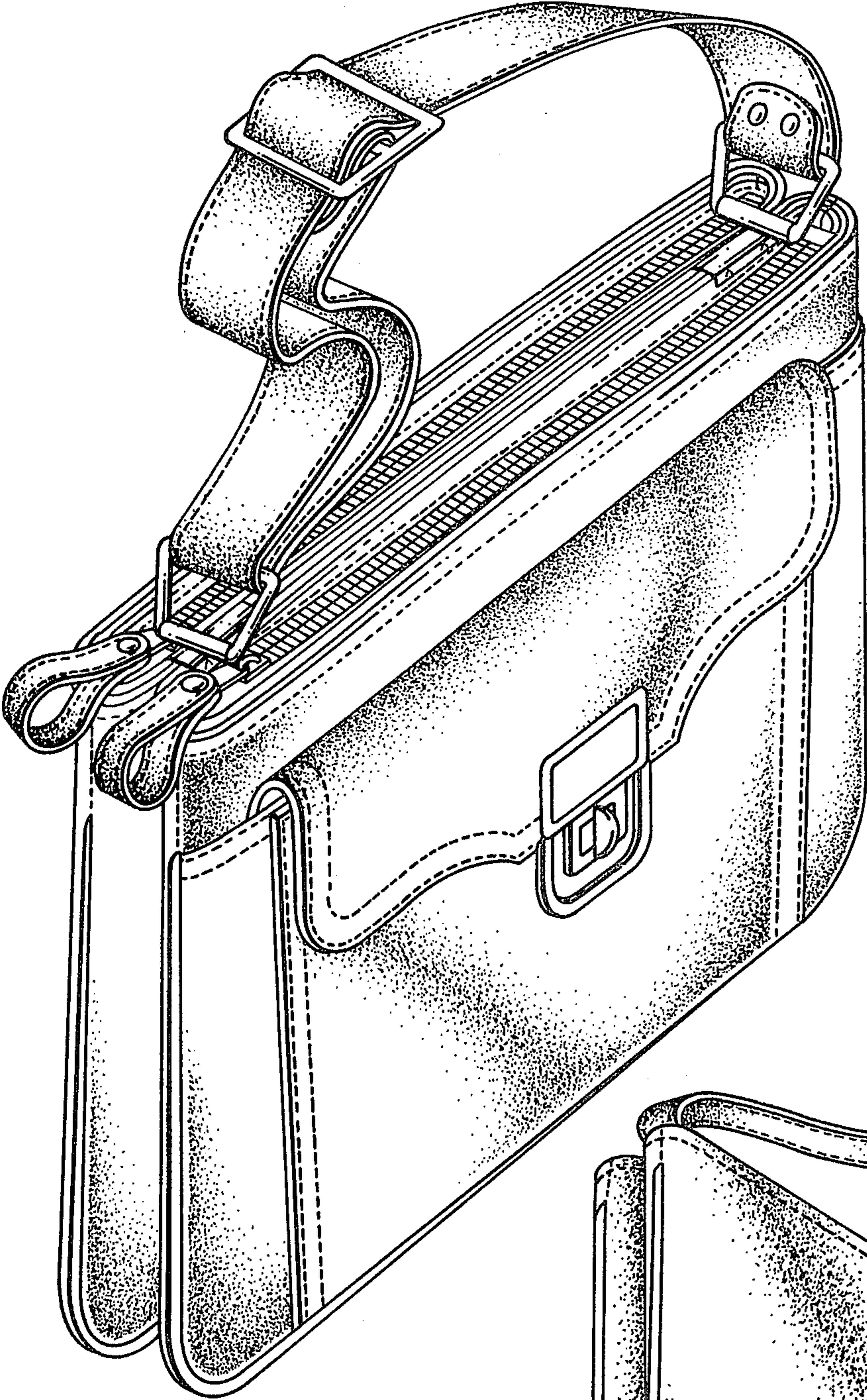
CLAIM

The ornamental design for a purse, as shown and described.

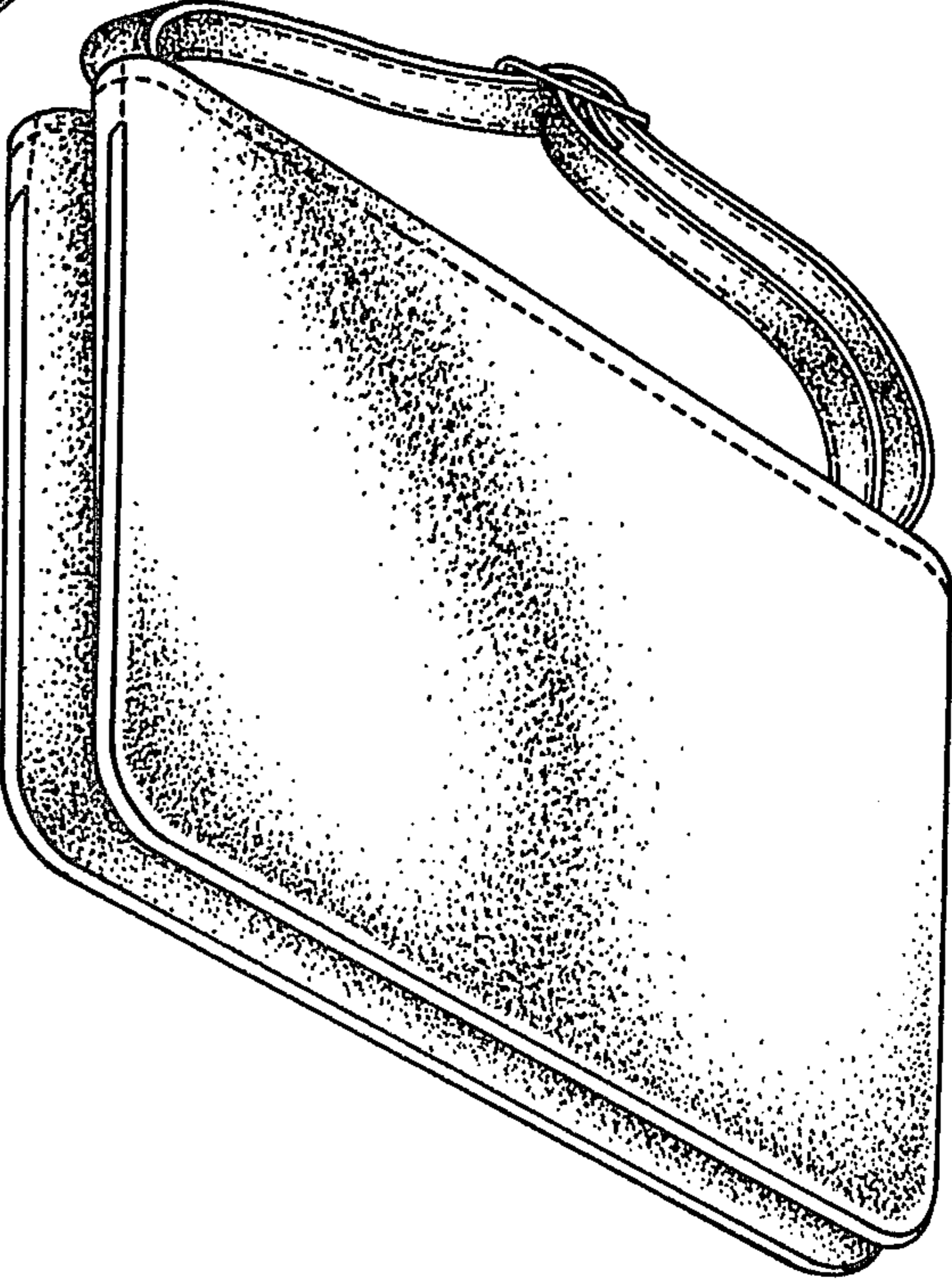
DESCRIPTION

FIG. 1 is a front perspective view of a purse showing my new design; and  
FIG. 2 is a reduced scale bottom rear perspective view thereof.





*FIG. 1*



*FIG. 2*