

[54] BATTERY OPERATED RECORD CLEANER

[75] Inventors: Yasuo Yamada; Tadahide Okuno, both of Osaka, Japan

[73] Assignee: Matsushita Electric Industrial Co., Ltd., Osaka, Japan

[**] Term: 14 Years

[21] Appl. No.: 348,910

[22] Filed: Feb. 16, 1982

[30] Foreign Application Priority Data

Aug. 13, 1981 [JP] Japan 56-35873
[52] U.S. Cl. D32/35
[58] Field of Search D32/35, 46; 15/DIG. 14, 15/256.5, 23; 369/72, 73, 74

[56] References Cited

U.S. PATENT DOCUMENTS

4,332,050 6/1982 Okuda 15/23 X
4,360,906 11/1982 Shitama 369/72

FOREIGN PATENT DOCUMENTS

134602 10/1979 Japan 369/72
22243 2/1980 Japan 369/72

Primary Examiner—Catherine E. Kemper
Attorney, Agent, or Firm—Sughrue, Mion, Zinn, Macpeak, and Seas

[57] CLAIM

The ornamental design for a battery operated record cleaner, as shown.

DESCRIPTION

FIG. 1 is a front, top and right side perspective view of a battery operated record cleaner showing our new design;
FIG. 2 is a right side elevational view thereof;
FIG. 3 is a top plan view thereof;
FIG. 4 is a bottom plan view thereof;
FIG. 5 is a front elevational view thereof;
FIG. 6 is a rear elevational view thereof; and
FIG. 7 is a left side elevational view thereof.

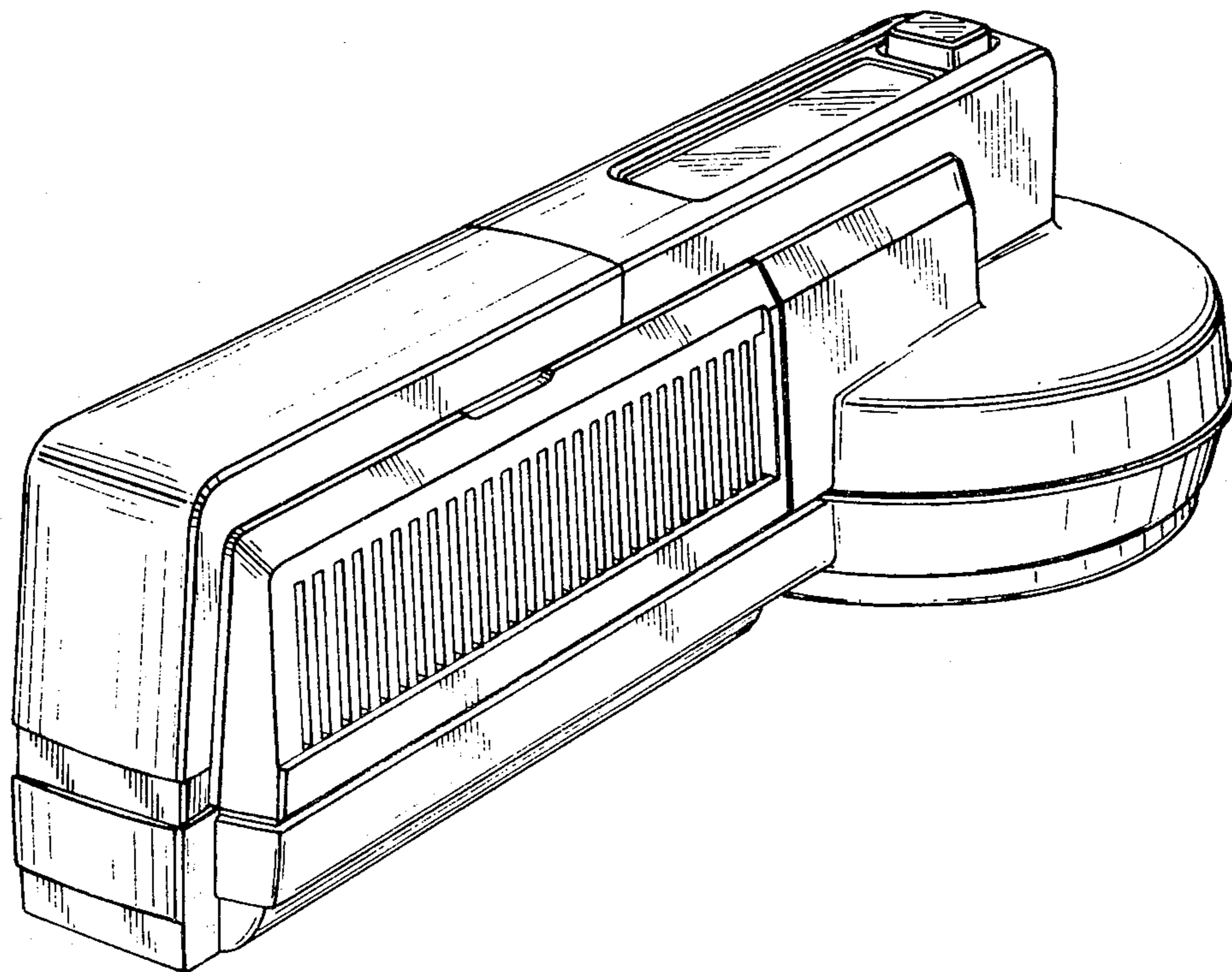


FIG. 1

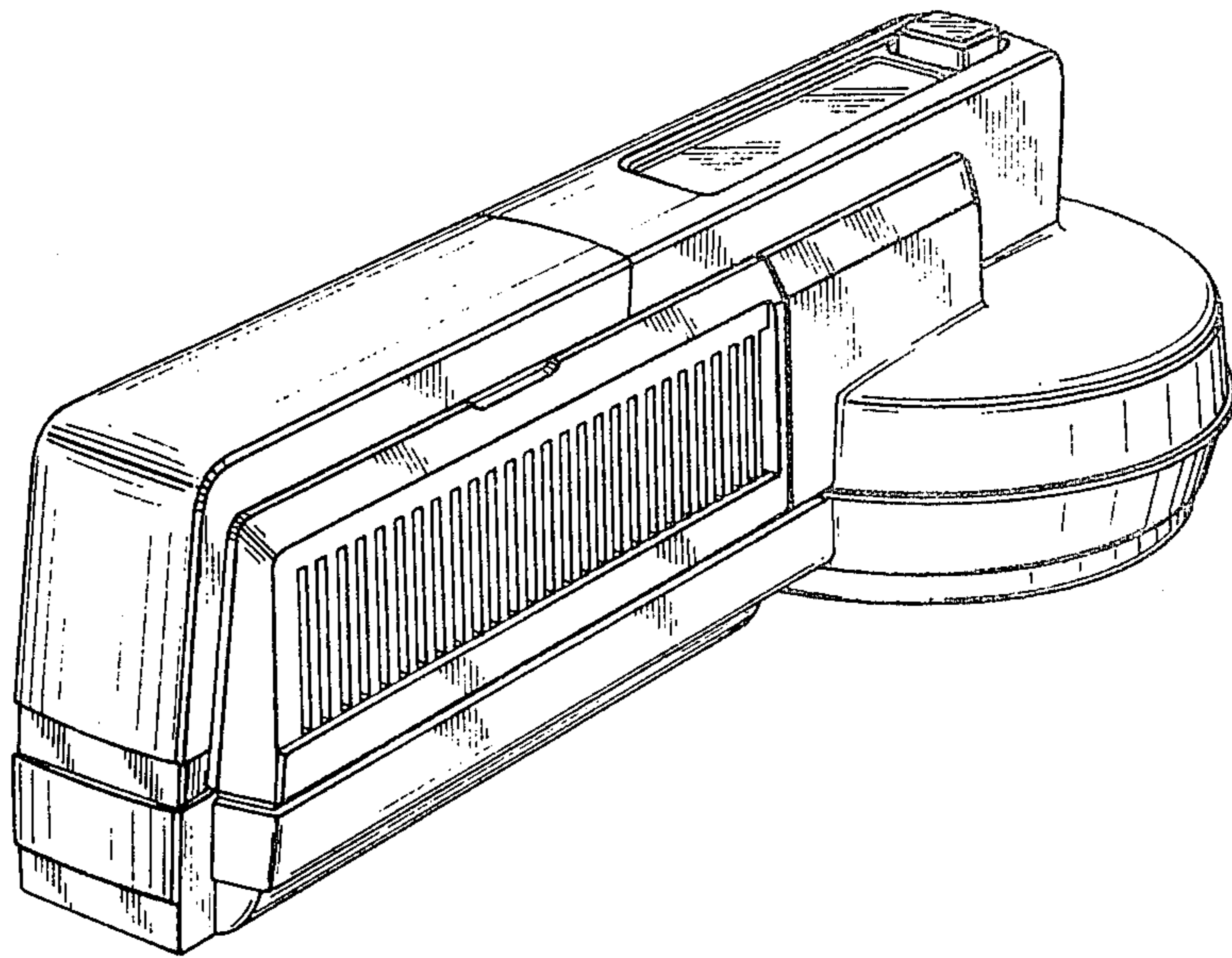


FIG. 2

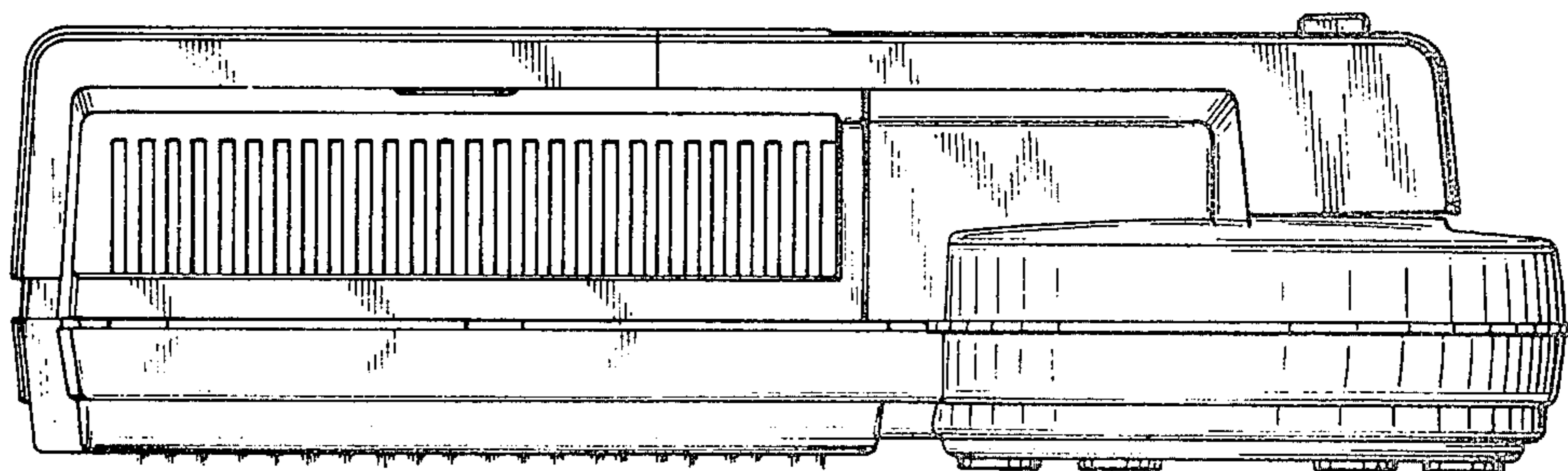


FIG. 3

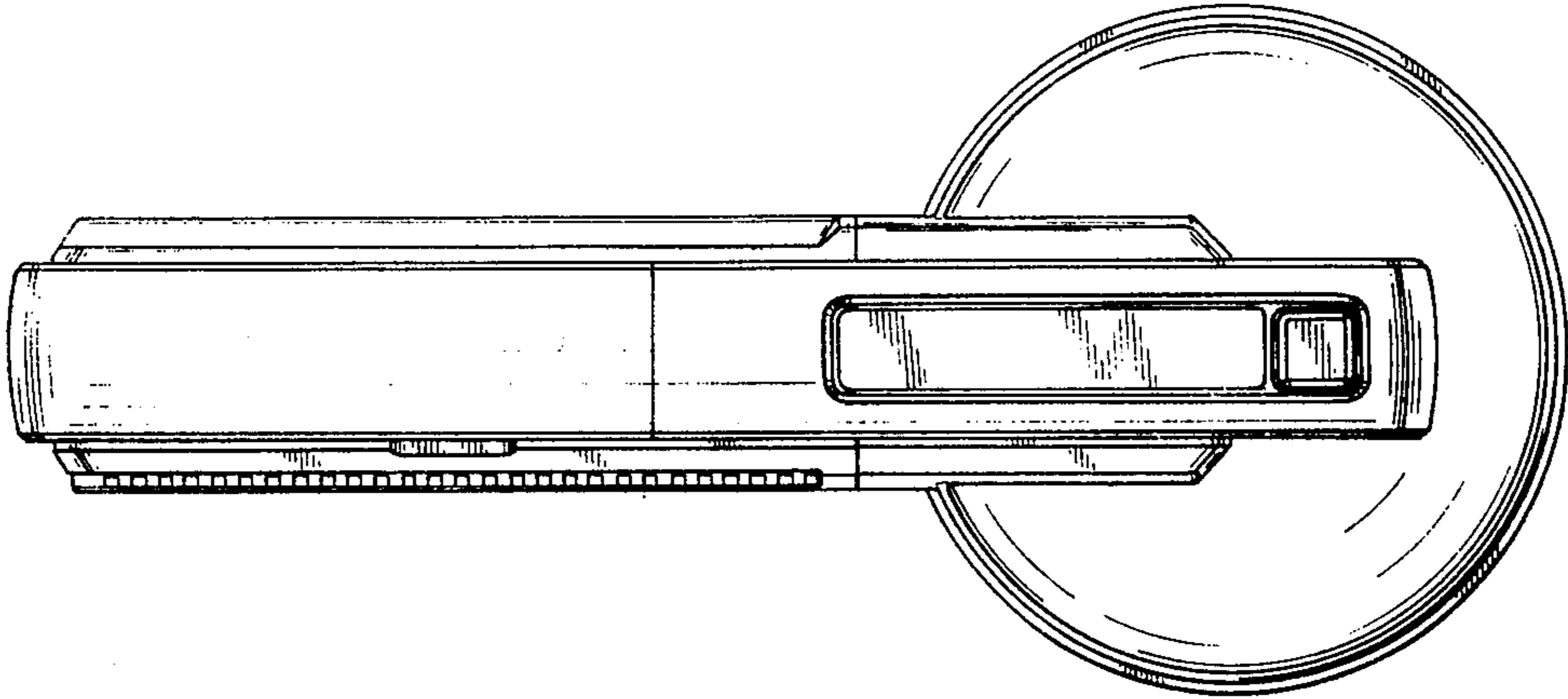


FIG. 4

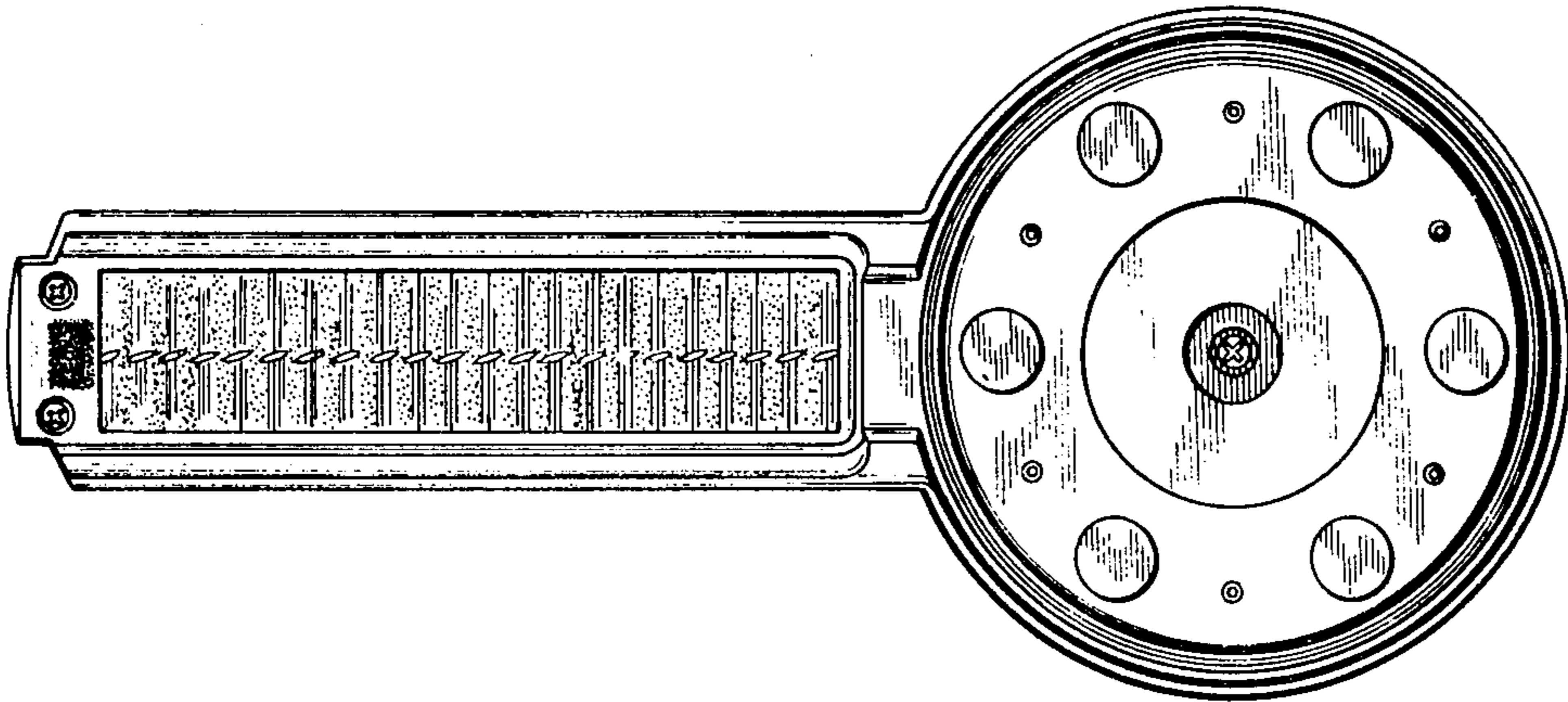


FIG. 5

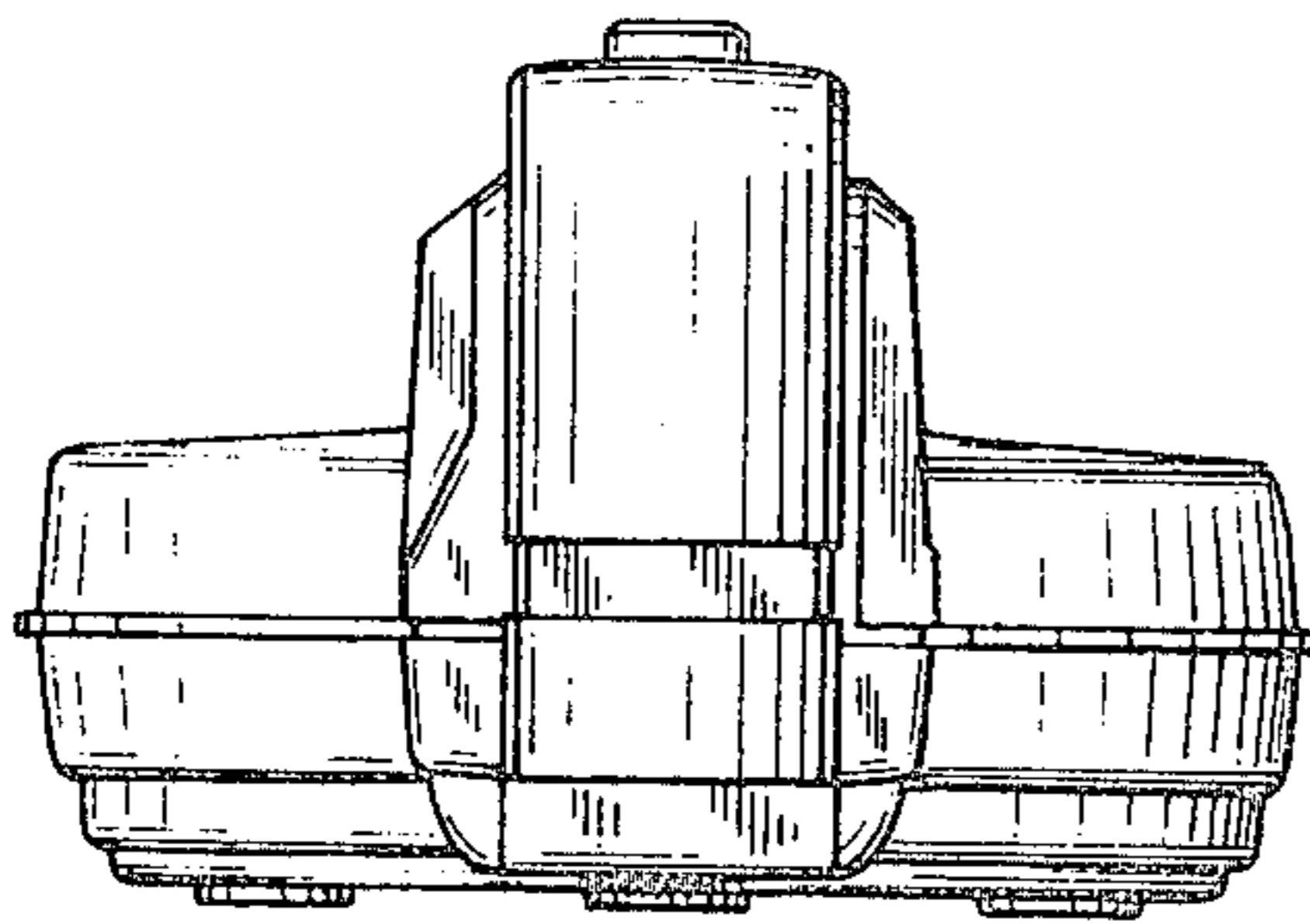


FIG. 6

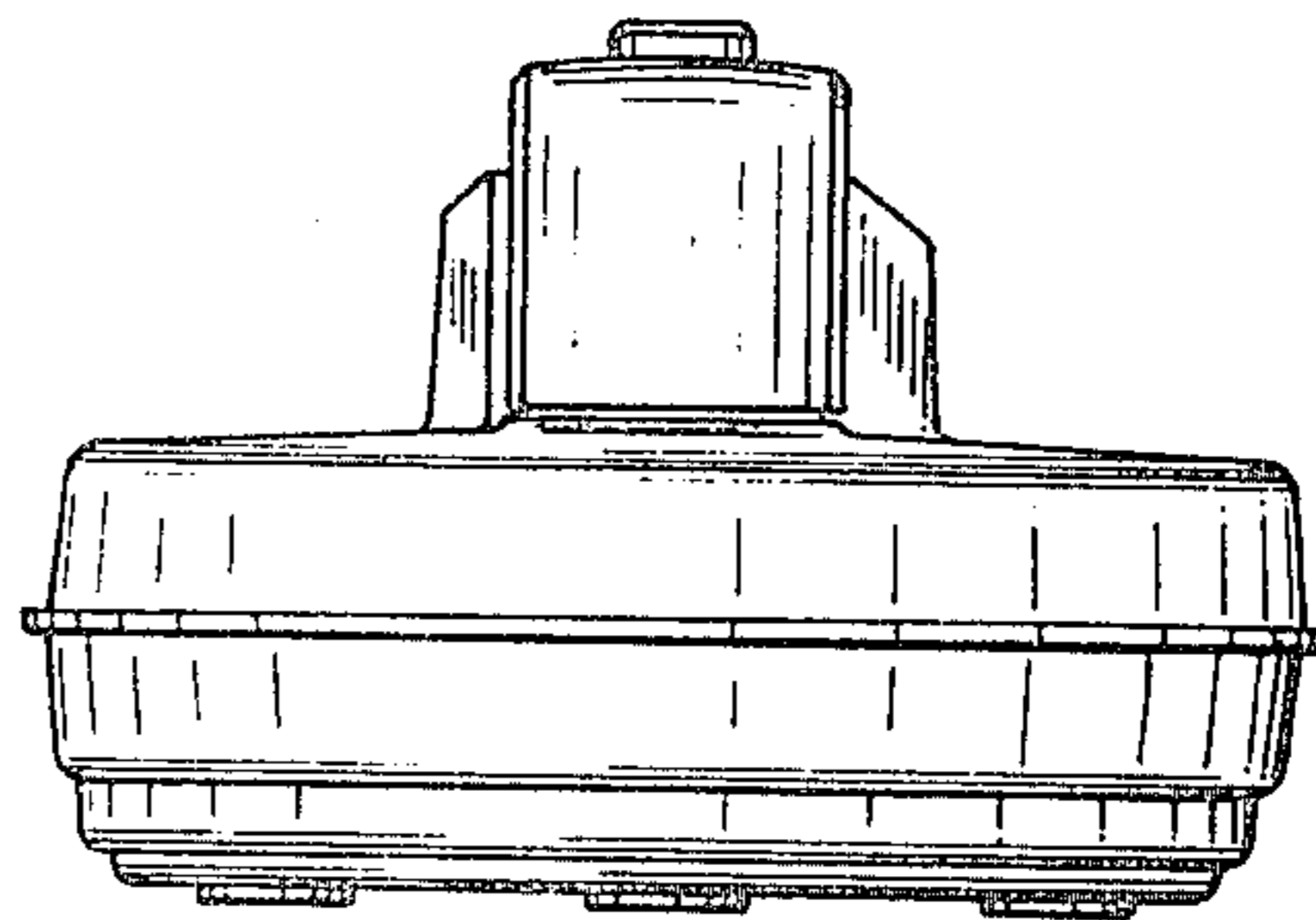


FIG. 7

