

[54] IRONING PRESS

DESCRIPTION

[75] Inventors: **Olindo Baruffa; Antonio Jimenez,**  
both of Geneva, Switzerland  
[73] Assignee: **Mefina S.A.,** Fribourg, Switzerland  
[\*\*] Term: **14 Years**  
[21] Appl. No.: **400,153**  
[22] Filed: **Jul. 20, 1982**

FIG. 1 is a front elevational view of an ironing press, showing our new design;  
FIG. 2 is a left side elevational view thereof;  
FIG. 3 is a right side elevational view thereof;  
FIG. 4 is a top plan view thereof;  
FIG. 5 is a rear elevational view thereof;  
FIG. 6 is a bottom plan view thereof;  
FIG. 7 is a left front perspective view thereof;  
FIG. 8 is a left rear perspective view thereof;  
FIG. 9 is a right front perspective view thereof;  
FIG. 10 is a right rear perspective view thereof;  
FIG. 11 is a front elevational view of the ironing press as it appears when opened;  
FIG. 12 is a left side elevational view of the opened ironing press;  
FIG. 13 is a right side elevational view of the opened ironing press;  
FIG. 14 is a top plan view of the opened ironing press;  
FIG. 15 is a rear elevational view of the opened ironing press;  
FIG. 16 is a left front perspective view of the opened ironing press;  
FIG. 17 is a right front perspective view of the opened ironing press;  
FIG. 18 is a right rear perspective view of the opened ironing press;  
FIG. 19 is a left rear perspective view of the opened ironing press.

[30] Foreign Application Priority Data

Mar. 4, 1982 [CH] Switzerland ..... 112257  
[52] U.S. Cl. .... **D32/9**  
[58] Field of Search ..... **D32/9; 38/1 R, 12, 69;**  
223/51, 57, 73

[56] References Cited

U.S. PATENT DOCUMENTS

D. 199,079 9/1964 Boldt ..... D32/9  
D. 225,451 12/1972 Jimenez ..... D32/9  
D. 262,885 2/1982 Baruffa ..... D32/9

Primary Examiner—Catherine E. Kemper  
Attorney, Agent, or Firm—Emory L. Groff, Jr

[57] CLAIM

The ornamental design for ironing press, as shown.

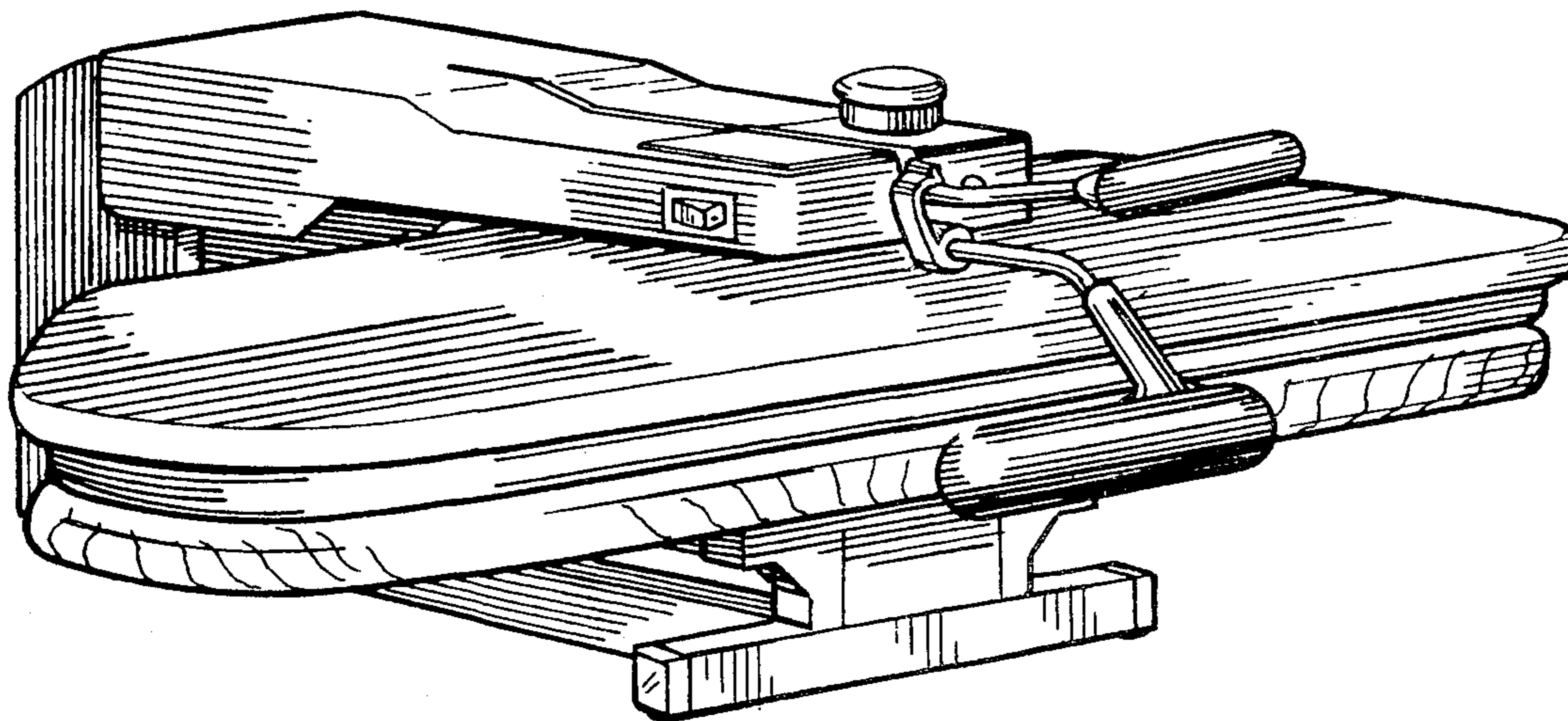


FIG. 1

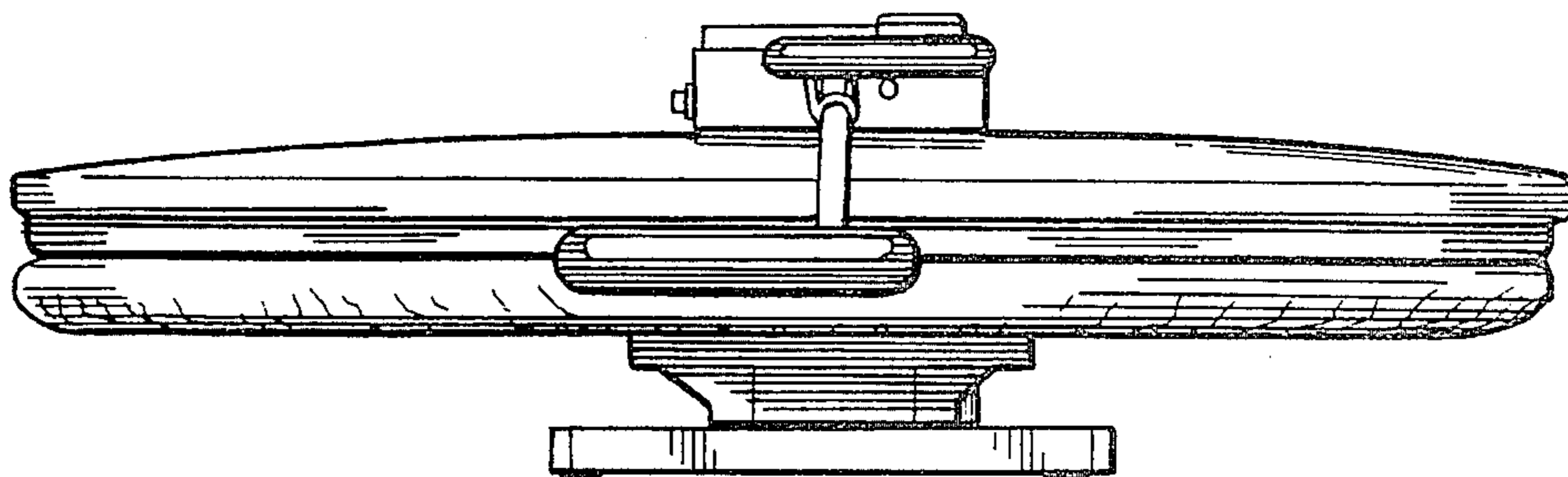


FIG. 2

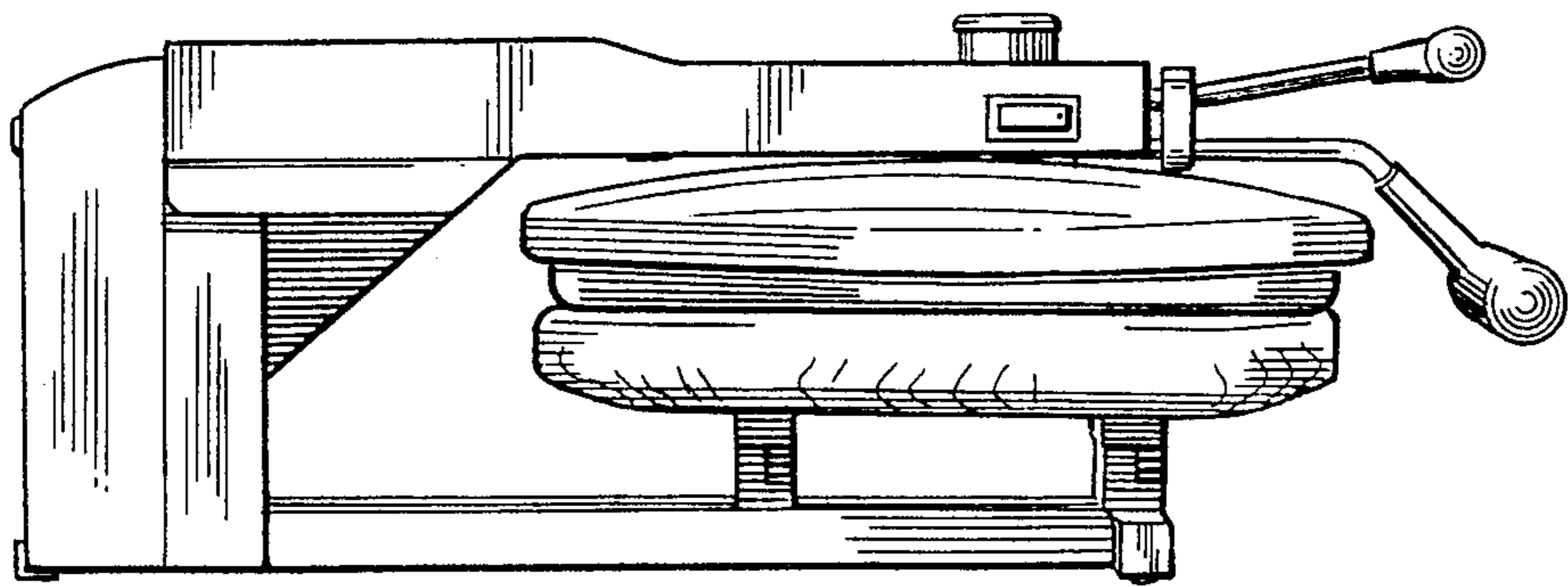


FIG. 3

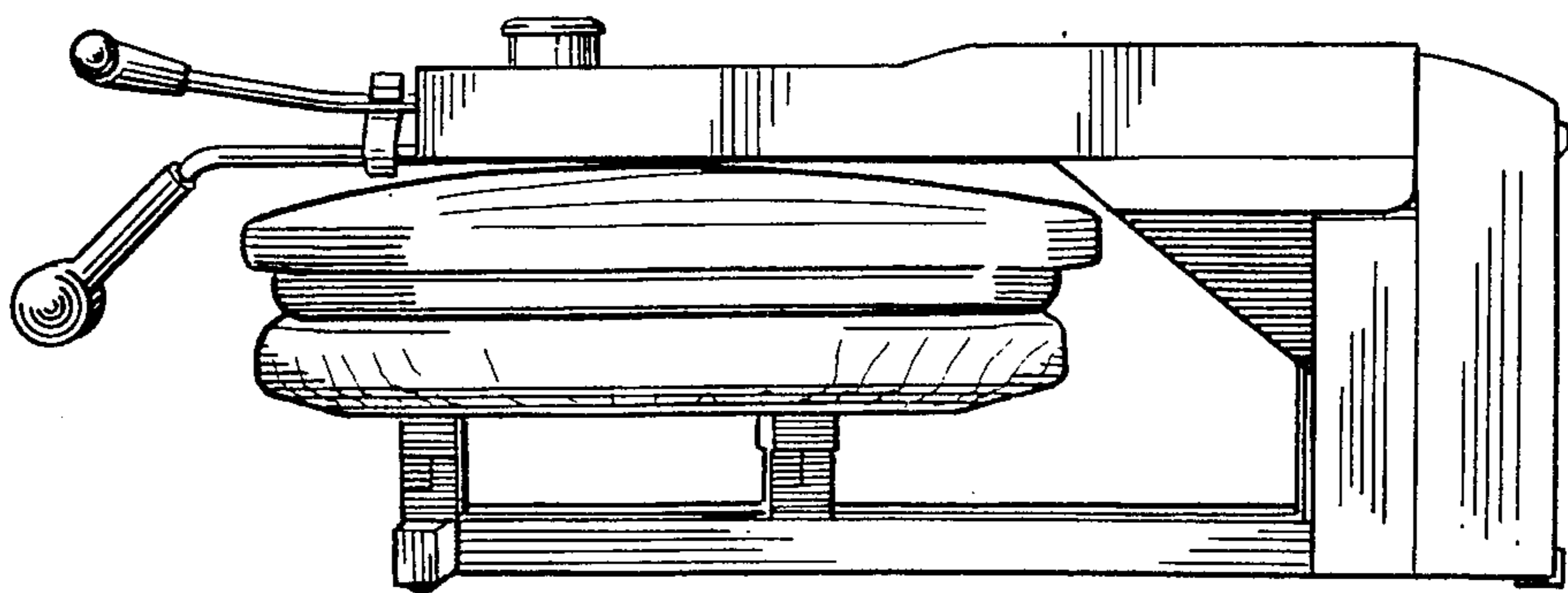


FIG. 4

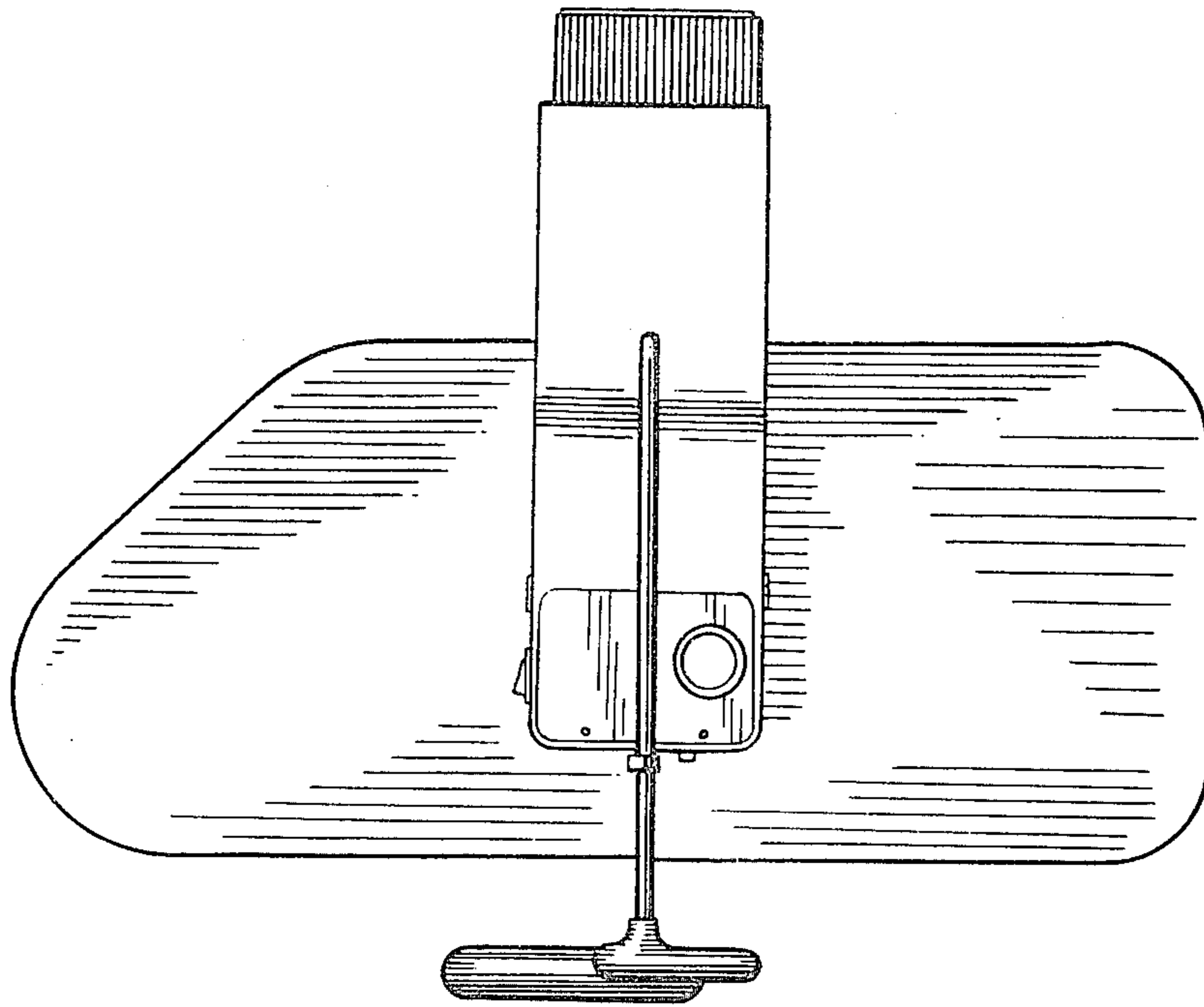
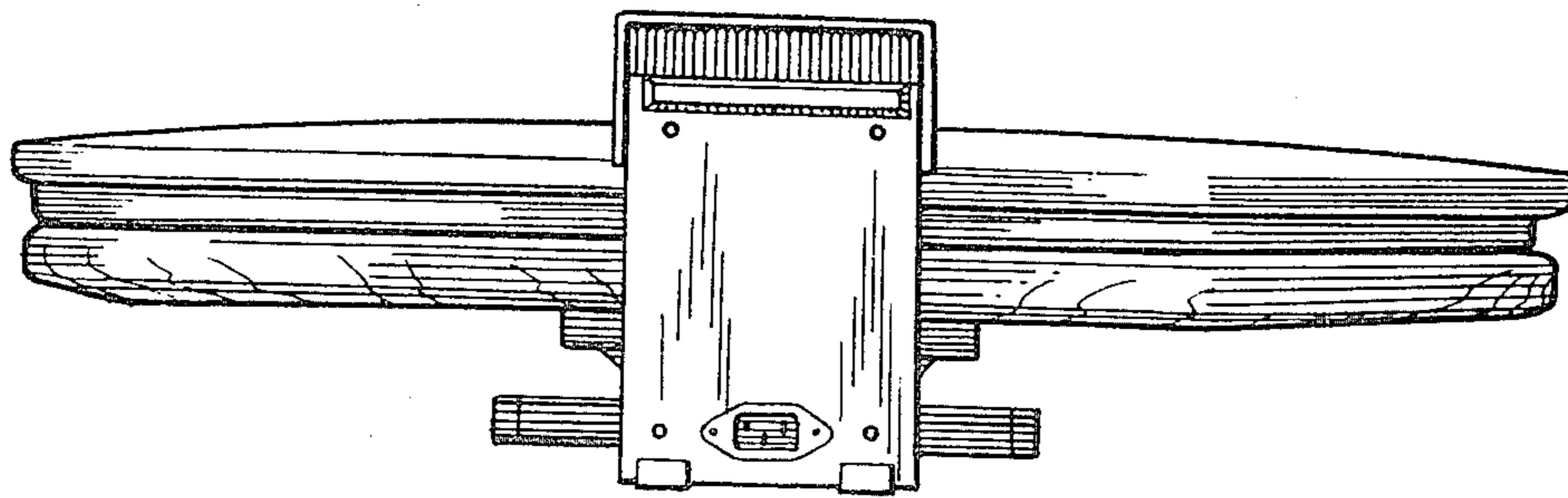


FIG. 5



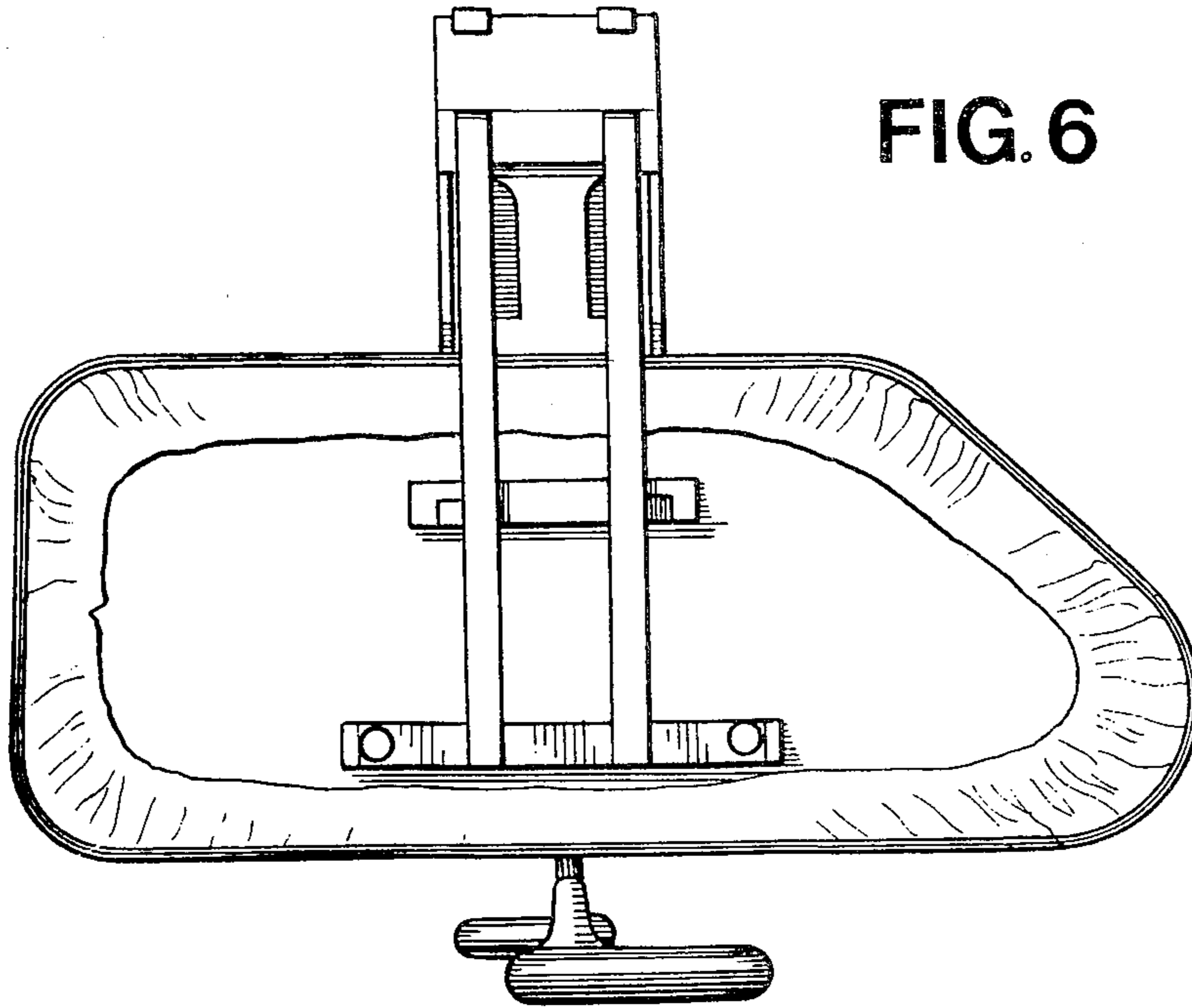


FIG. 6

FIG. 7

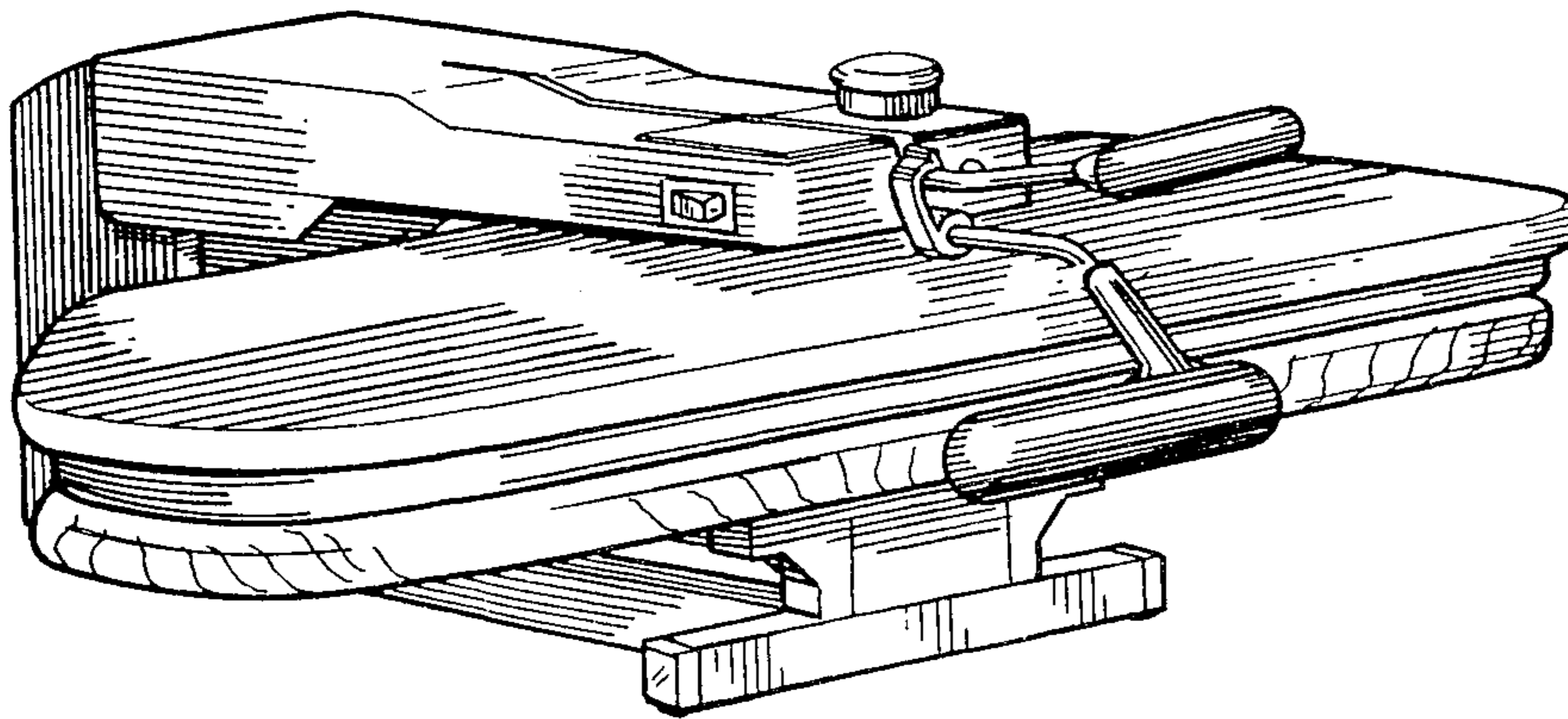


FIG. 8

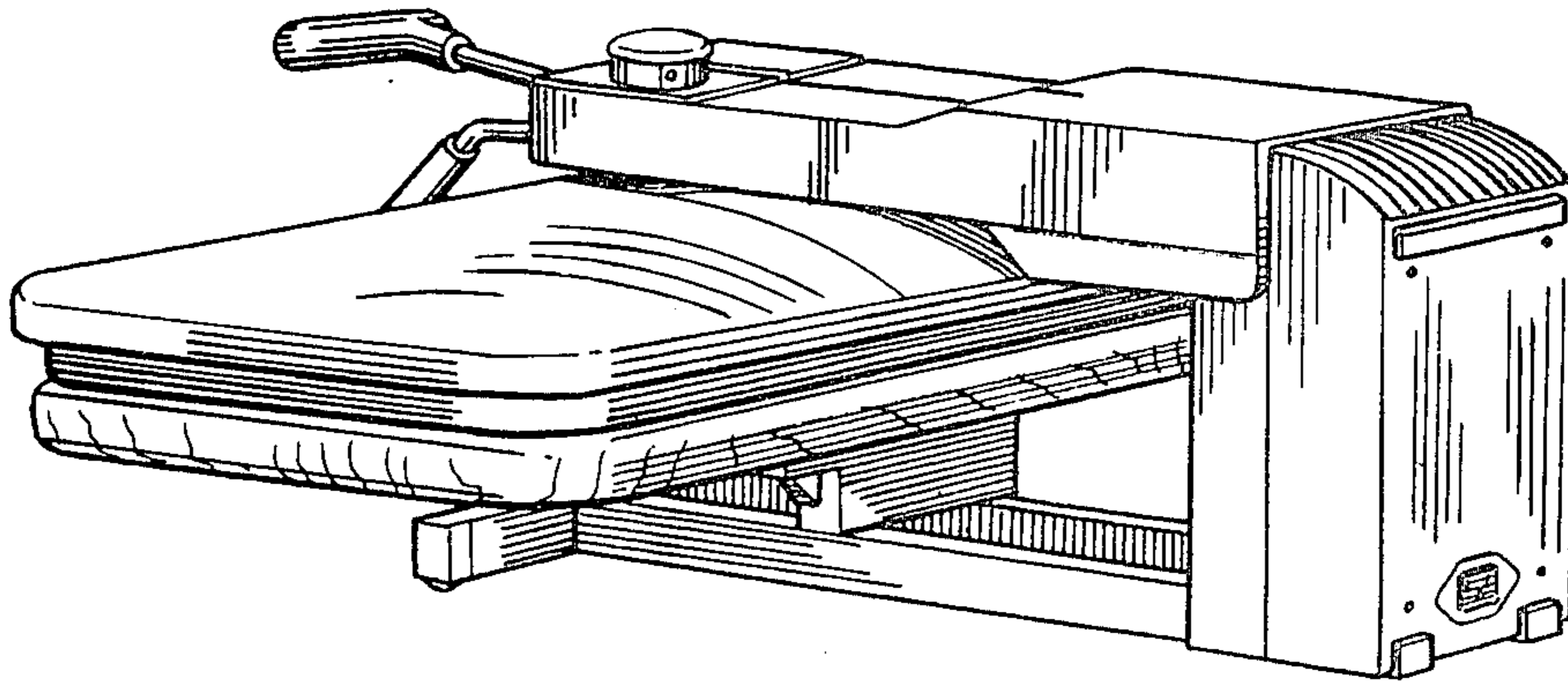
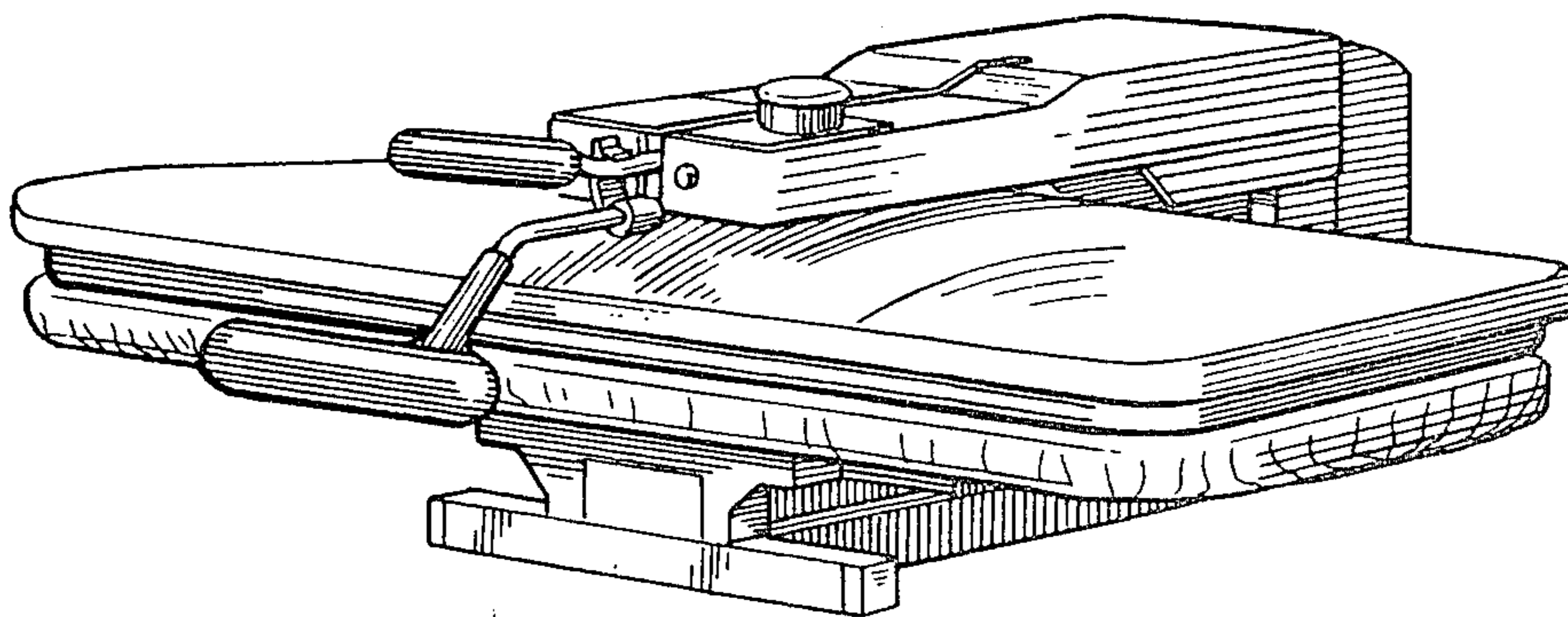
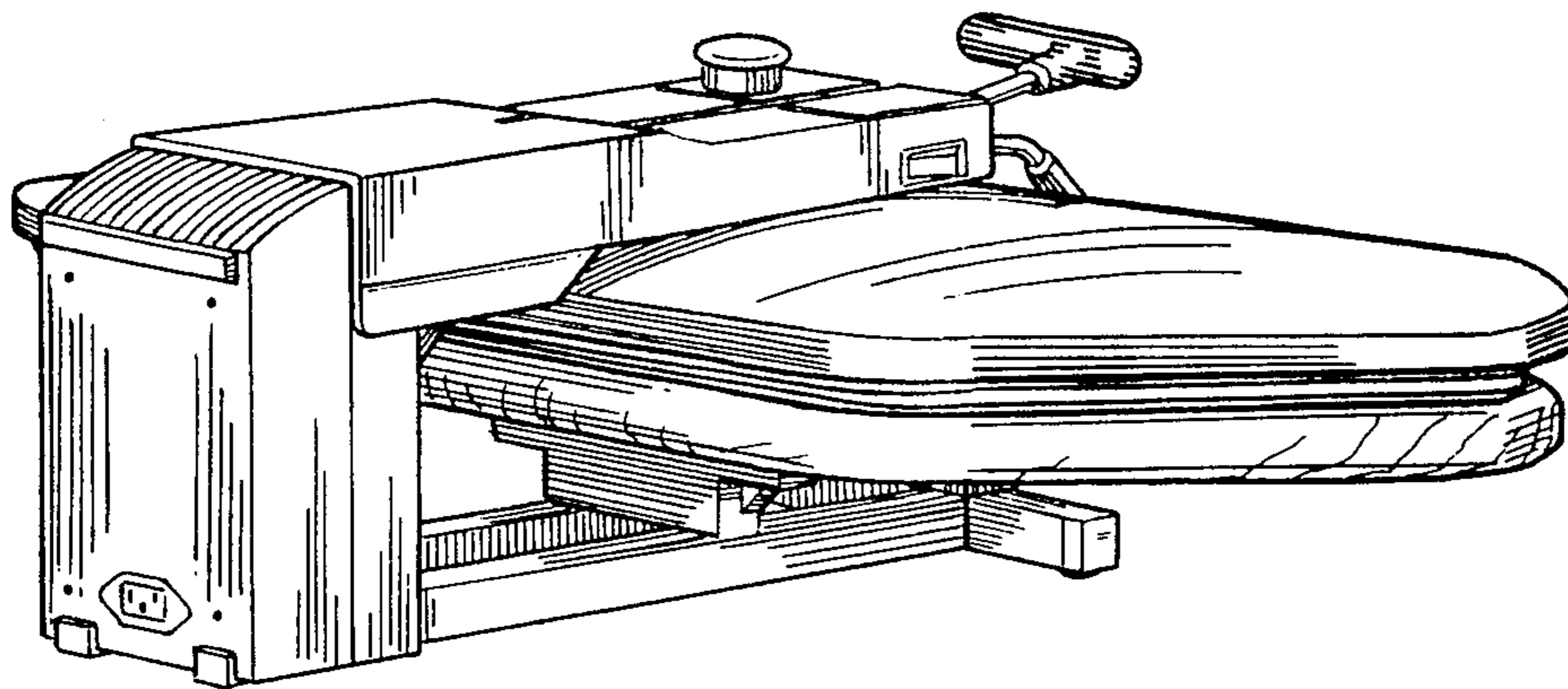


FIG. 9



**FIG. 10**



**FIG. 11**

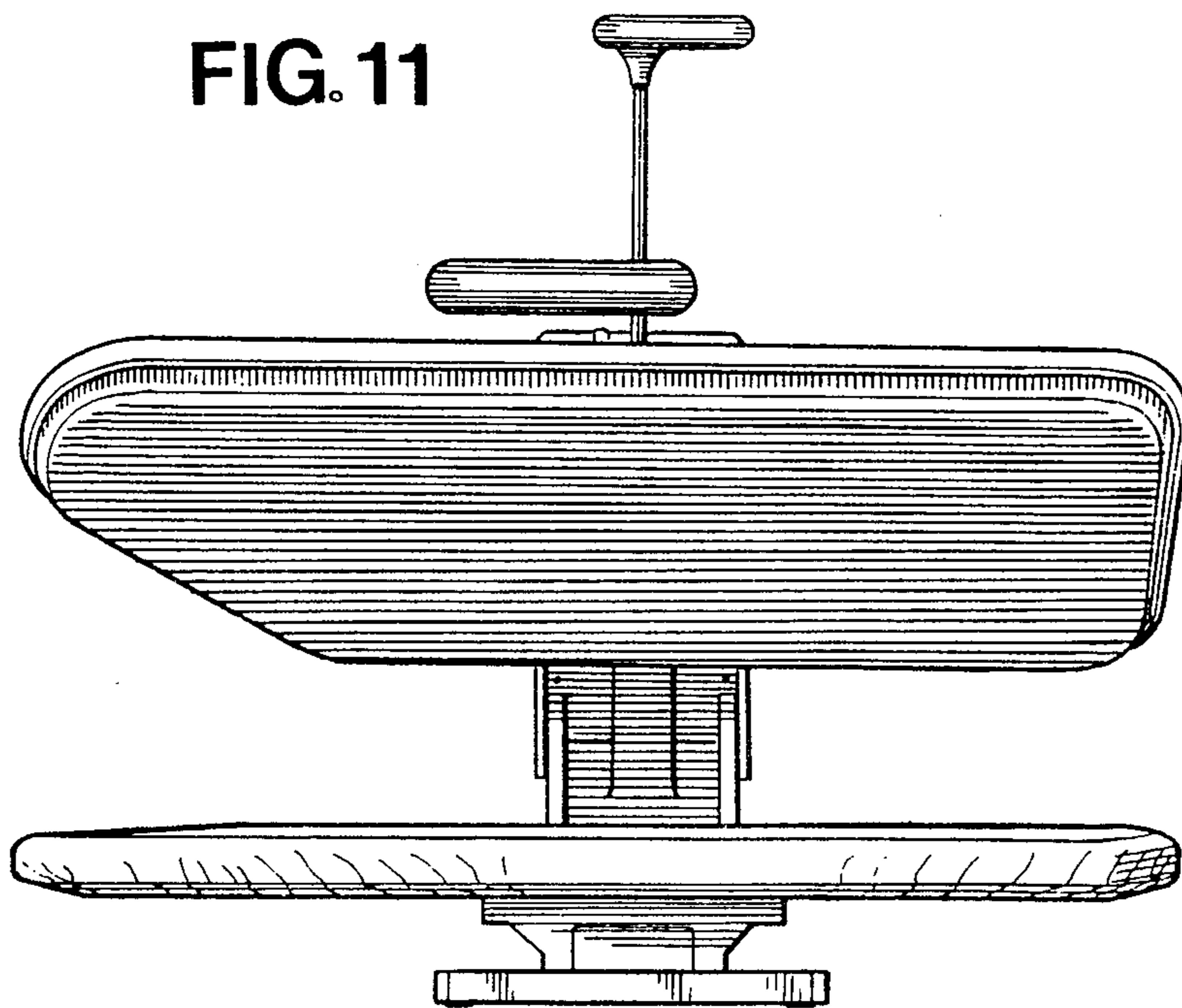


FIG. 12

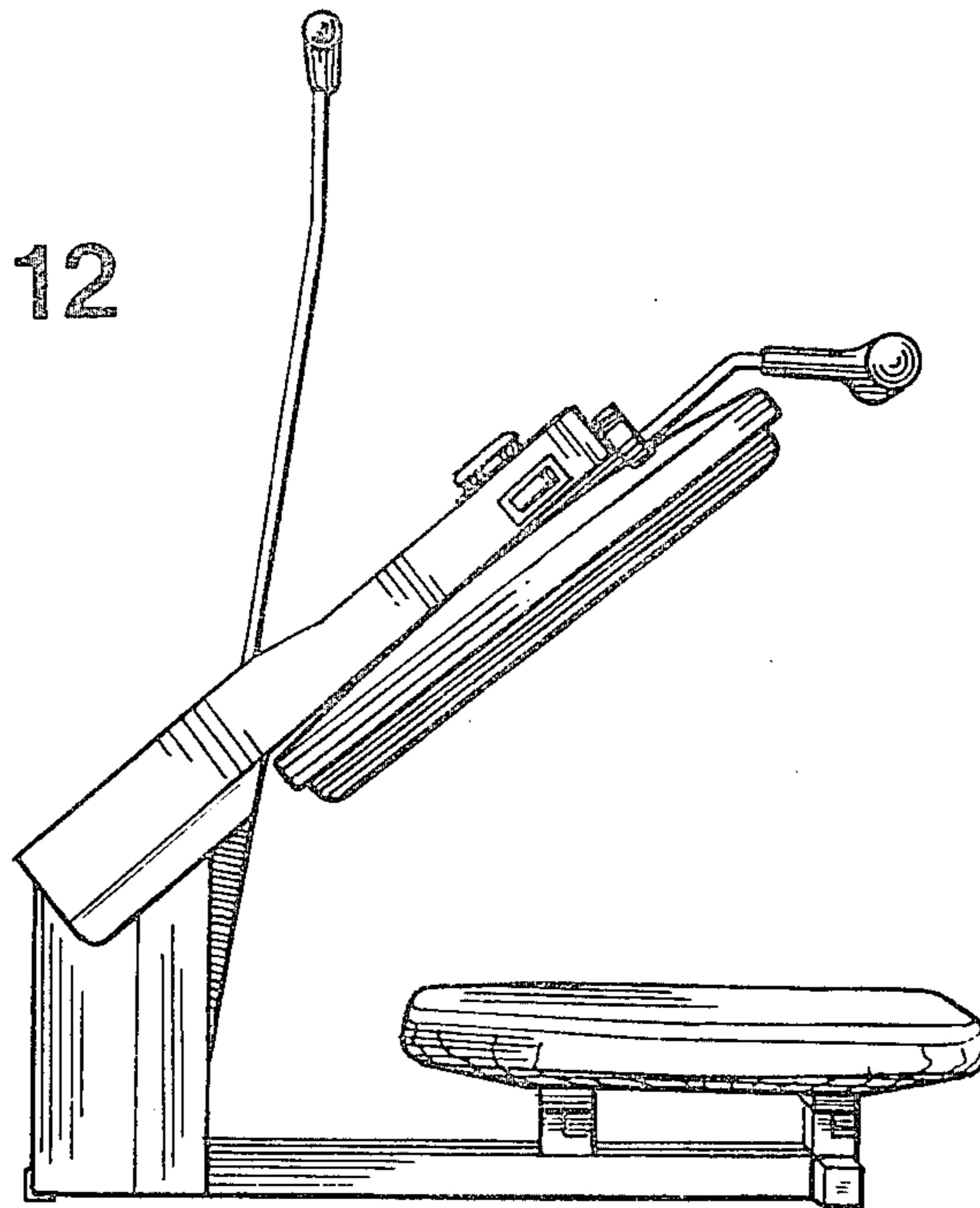
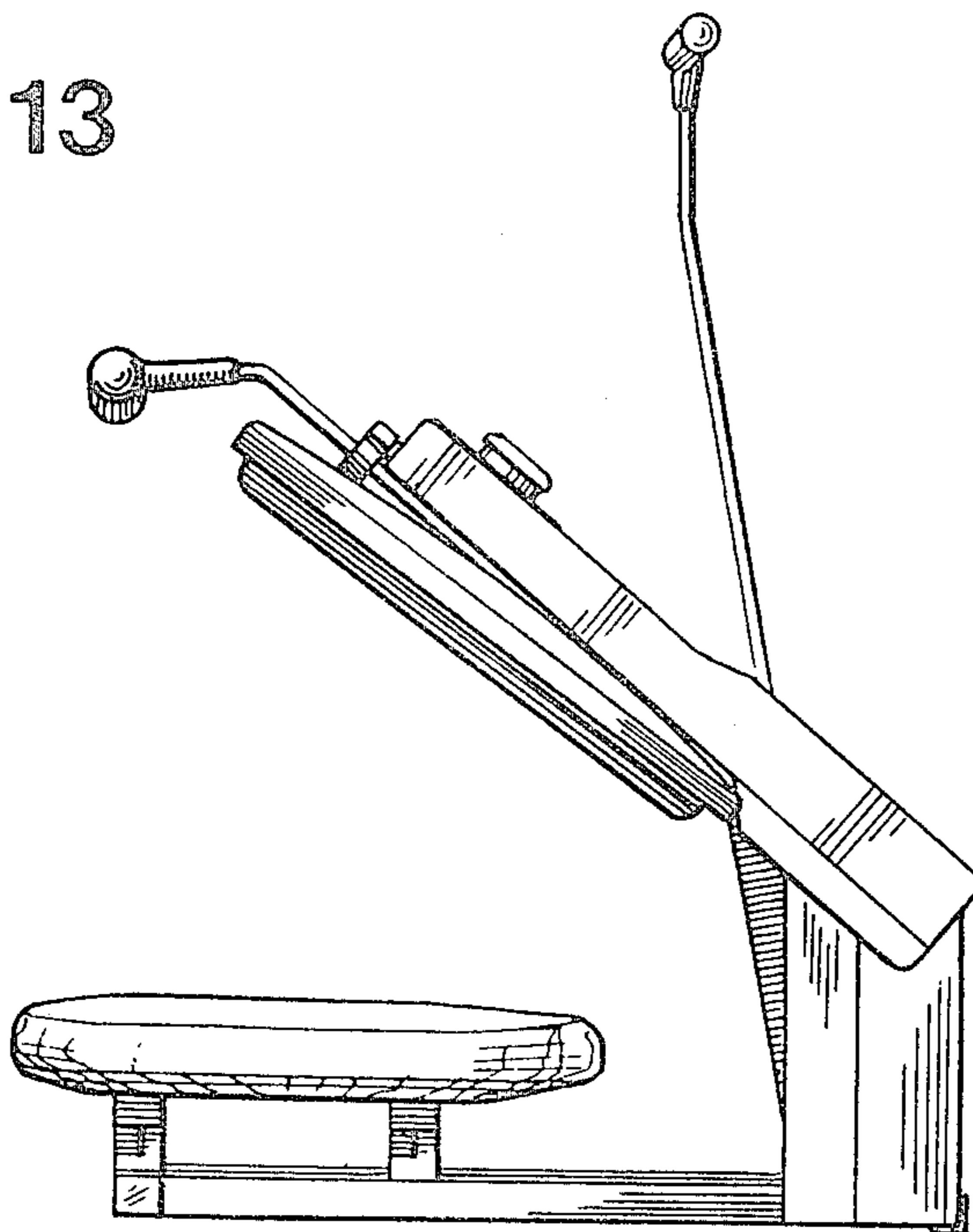
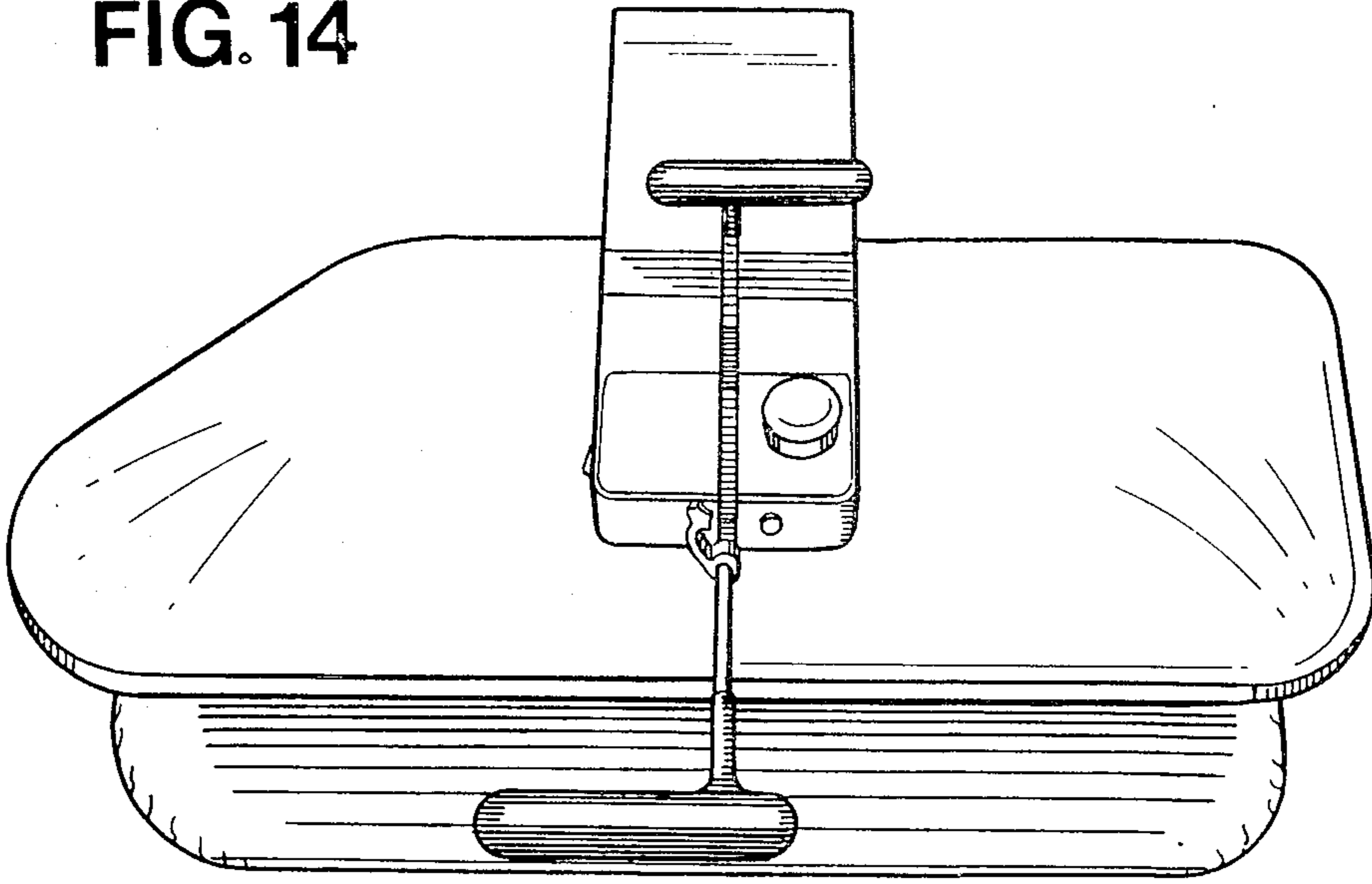


FIG. 13

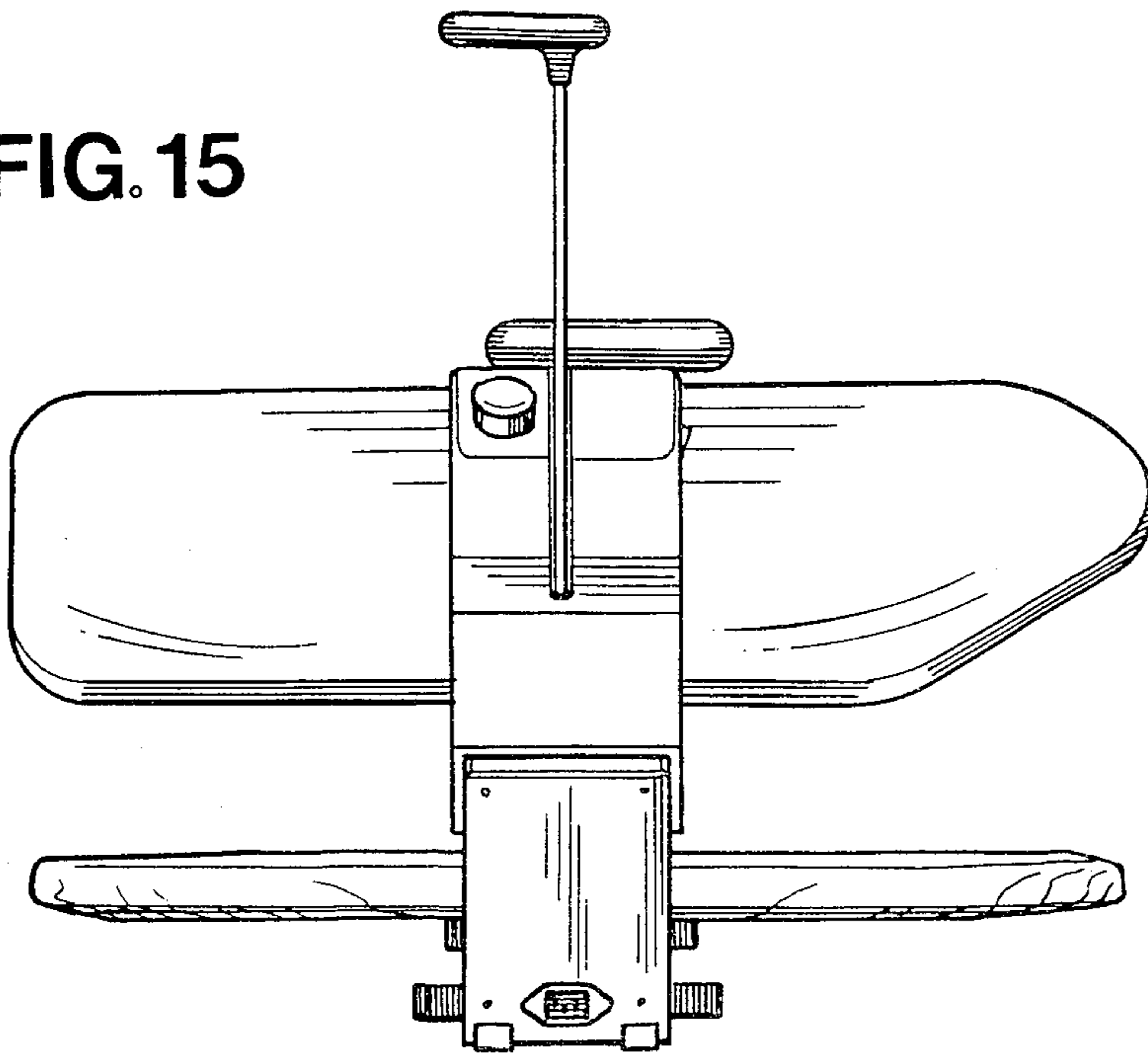




**FIG. 14**



**FIG. 15**



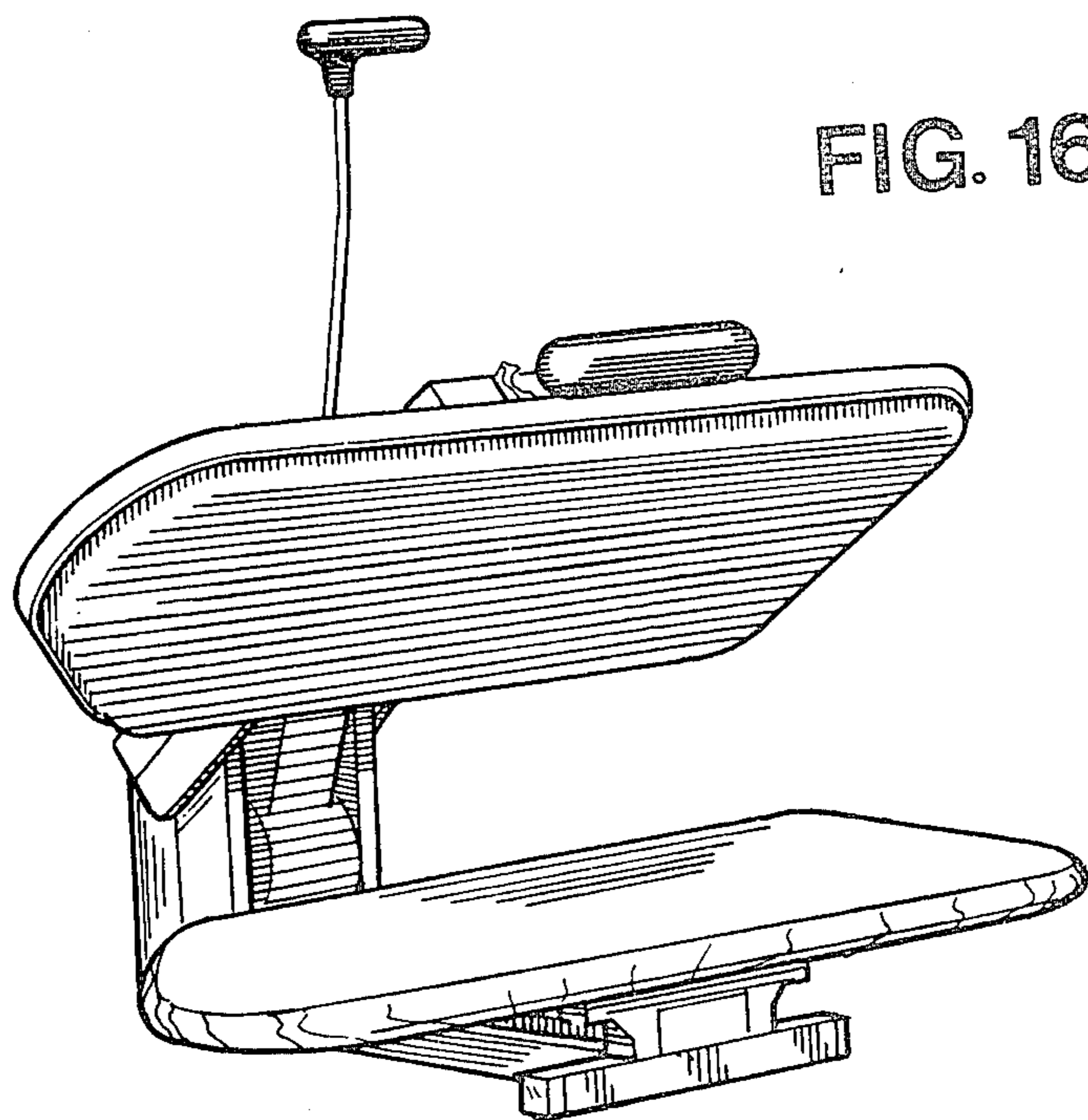


FIG. 16

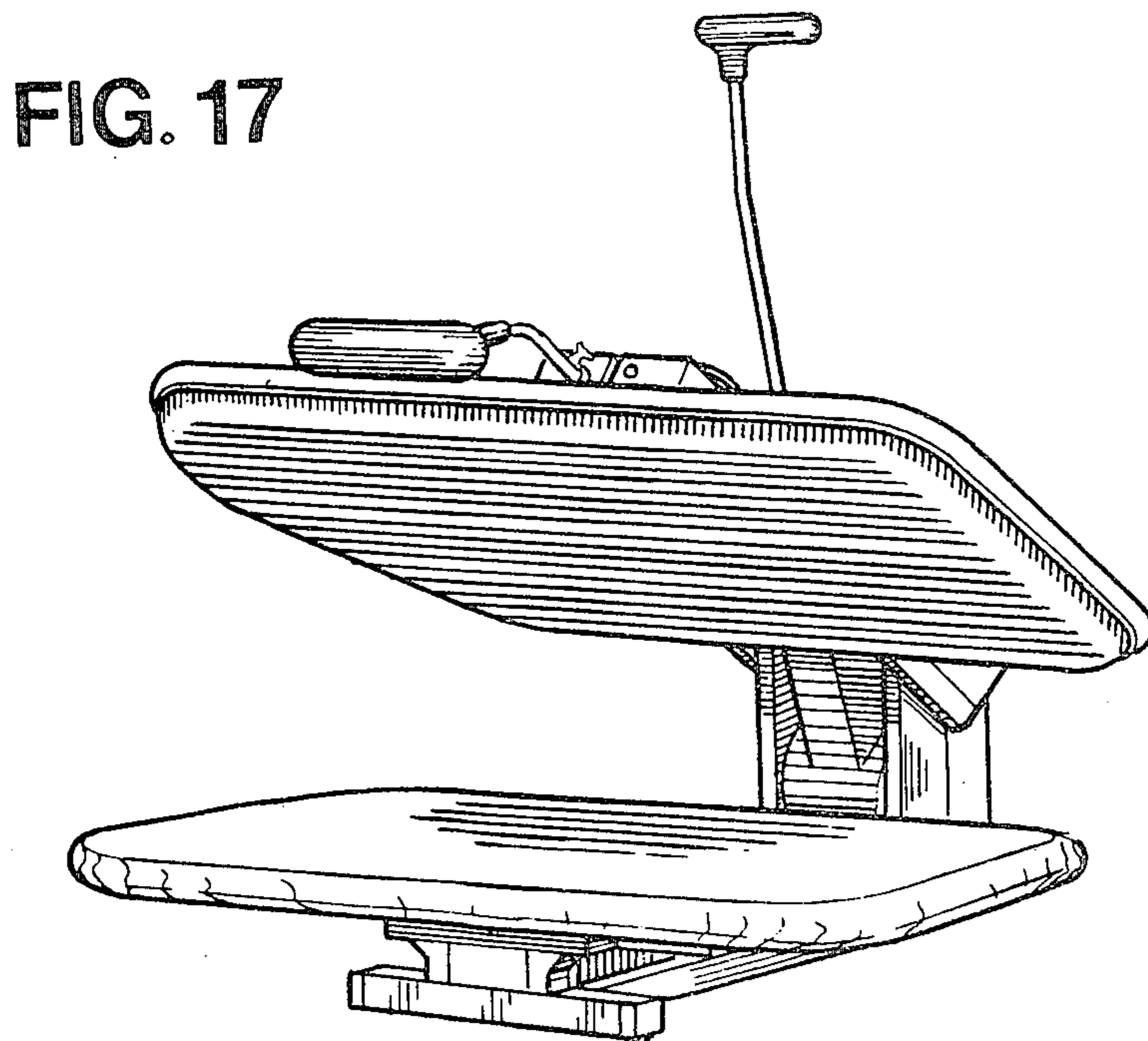
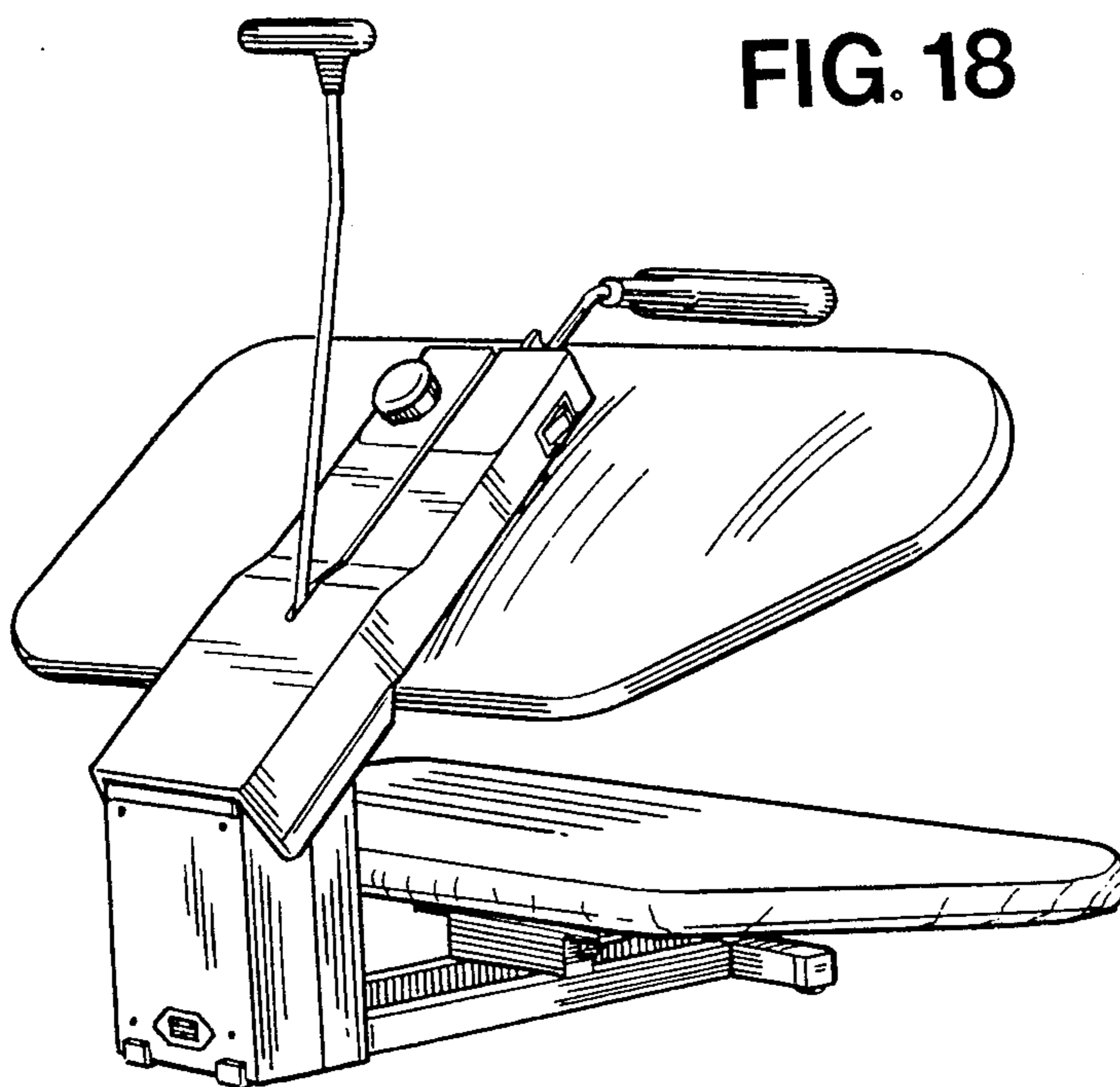


FIG. 17

**FIG. 18**



**FIG. 19**

