

# United States Patent [19]

Dietzen

[11] Patent Number: **Des. 275,895**

[45] Date of Patent: **\*\* Oct. 9, 1984**

[54] **MECHANICS ADJUSTABLE LIGHT**

[76] Inventor: **Richard C. Dietzen**, 214 N. Third St., Effingham, Ill. 62401

[\*\*] Term: **14 Years**

[21] Appl. No.: **396,412**

[22] Filed: **Jul. 8, 1982**

[52] U.S. Cl. .... **D26/61**

[58] Field of Search ..... **D26/24, 61-66, 362/227, 235, 249, 250, 269, 277, 284, 413, 418, 419, 427, 428, 431**

[56] **References Cited**

**U.S. PATENT DOCUMENTS**

- D. 135,837 6/1943 Vendope .
- D. 136,799 12/1943 Vendope .

2,670,428	2/1954	Olson	.....	D26/61
4,228,489	10/1980	Martin	.....	362/250
4,232,357	11/1980	Dietz	.	

*Primary Examiner*—Susan J. Lucas  
*Attorney, Agent, or Firm*—Kalish & Gilster

[57] **CLAIM**

The ornamental design for a mechanics adjustable light, as shown and described.

**DESCRIPTION**

FIG. 1 is a left side elevation of a mechanics adjustable light showing my new design;  
FIG. 2 is a front elevation thereof;  
FIG. 3 is a right side elevation thereof;  
FIG. 4 is a rear elevation thereof;  
FIG. 5 is a top plan view thereof;  
FIG. 6 is a bottom plan view thereof.

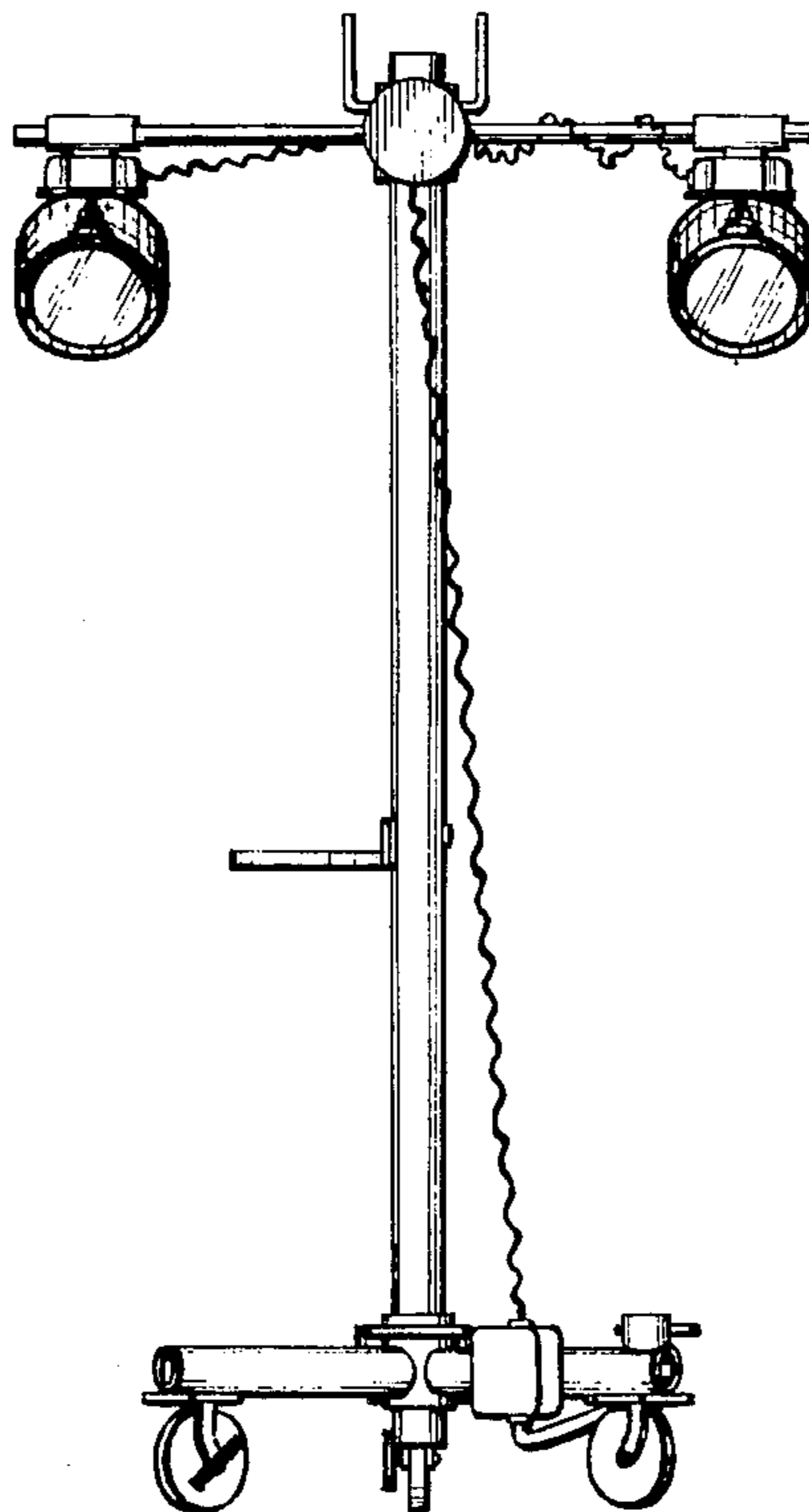


FIG. 1

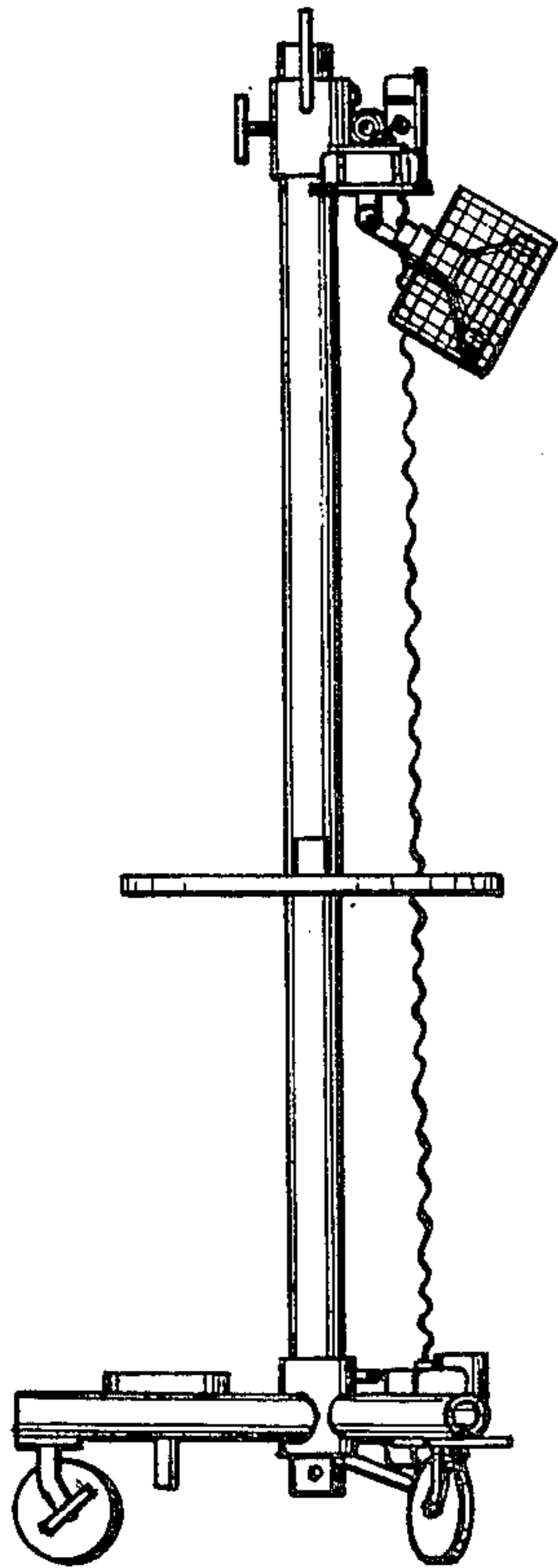


FIG. 2

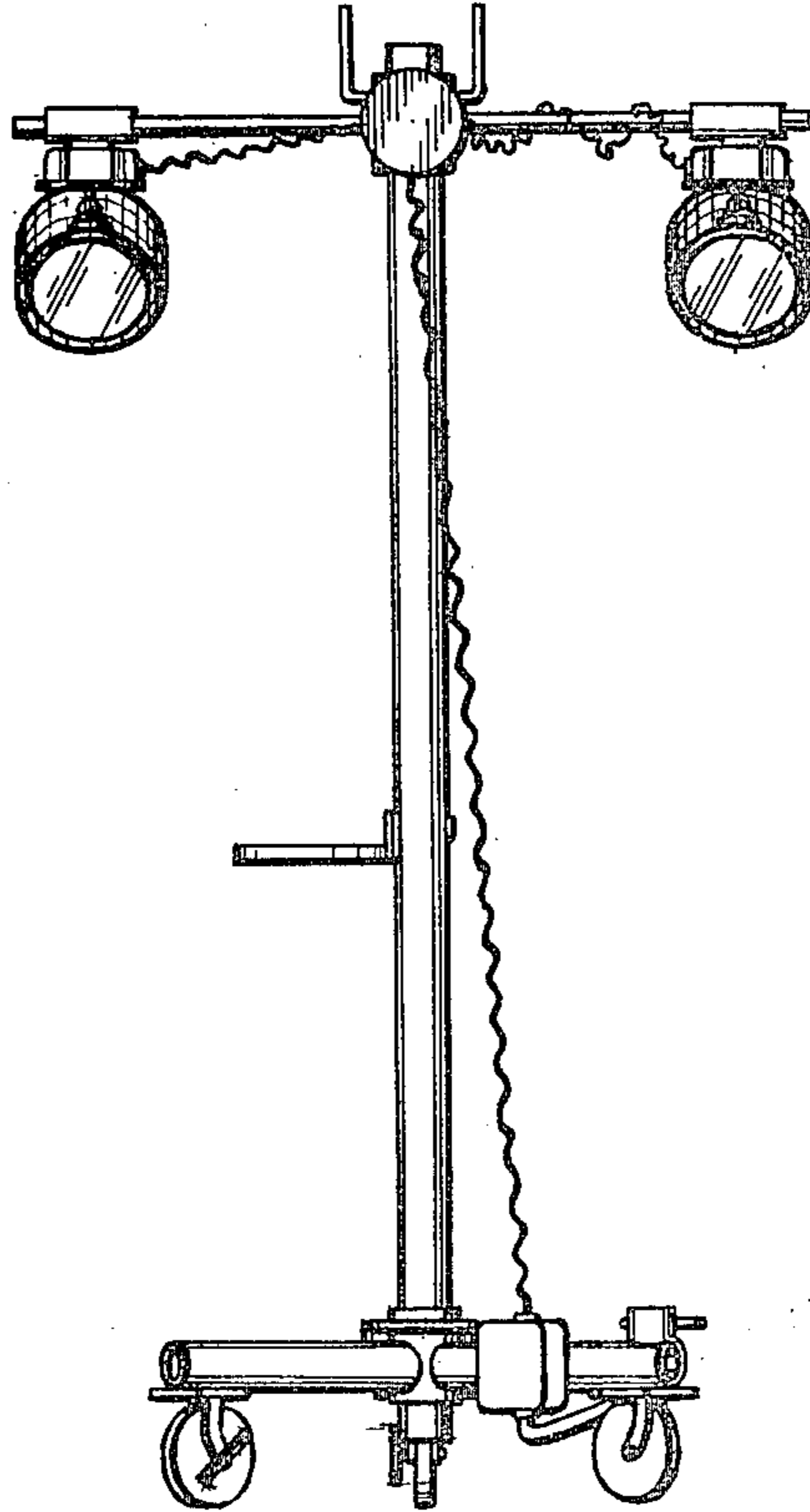


FIG. 3

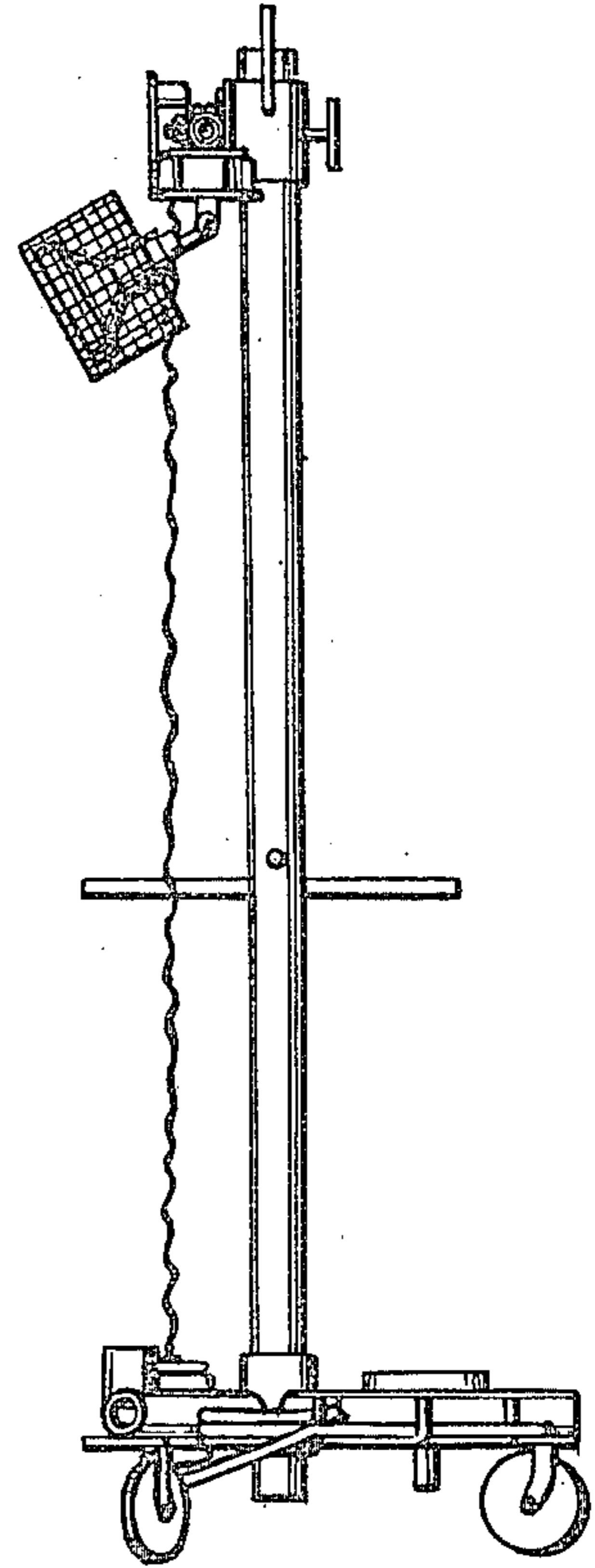


FIG. 4

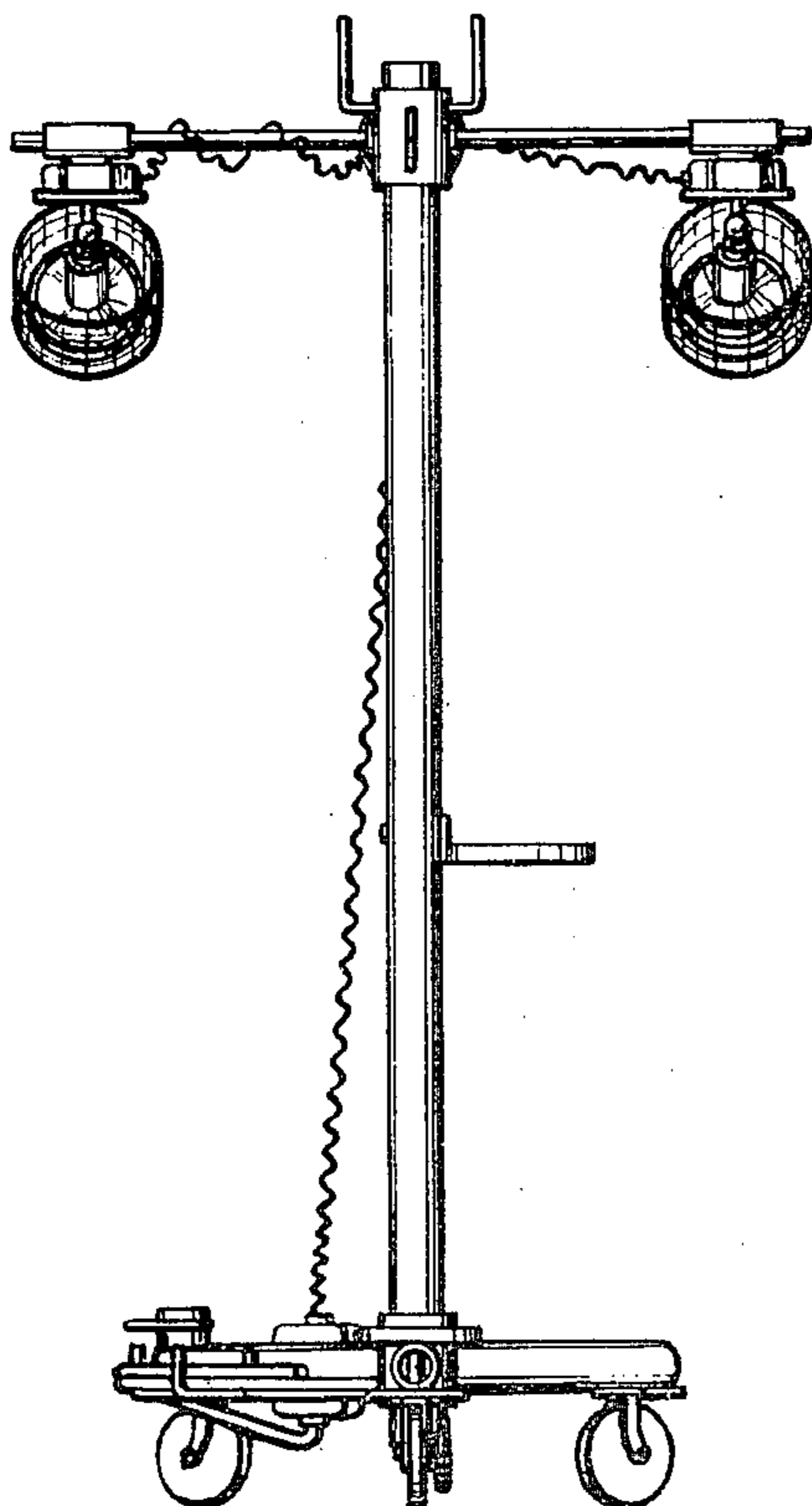


FIG. 5

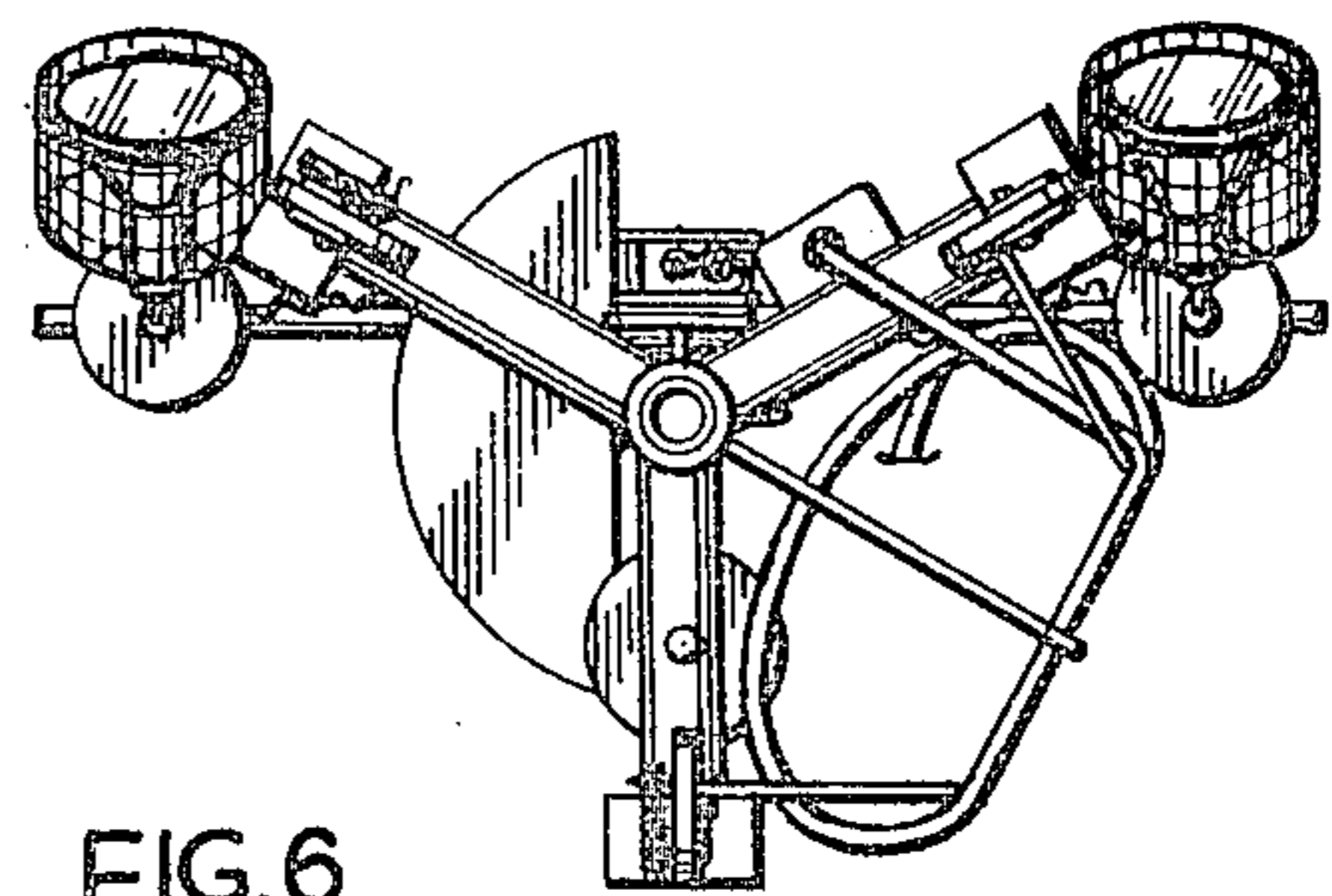
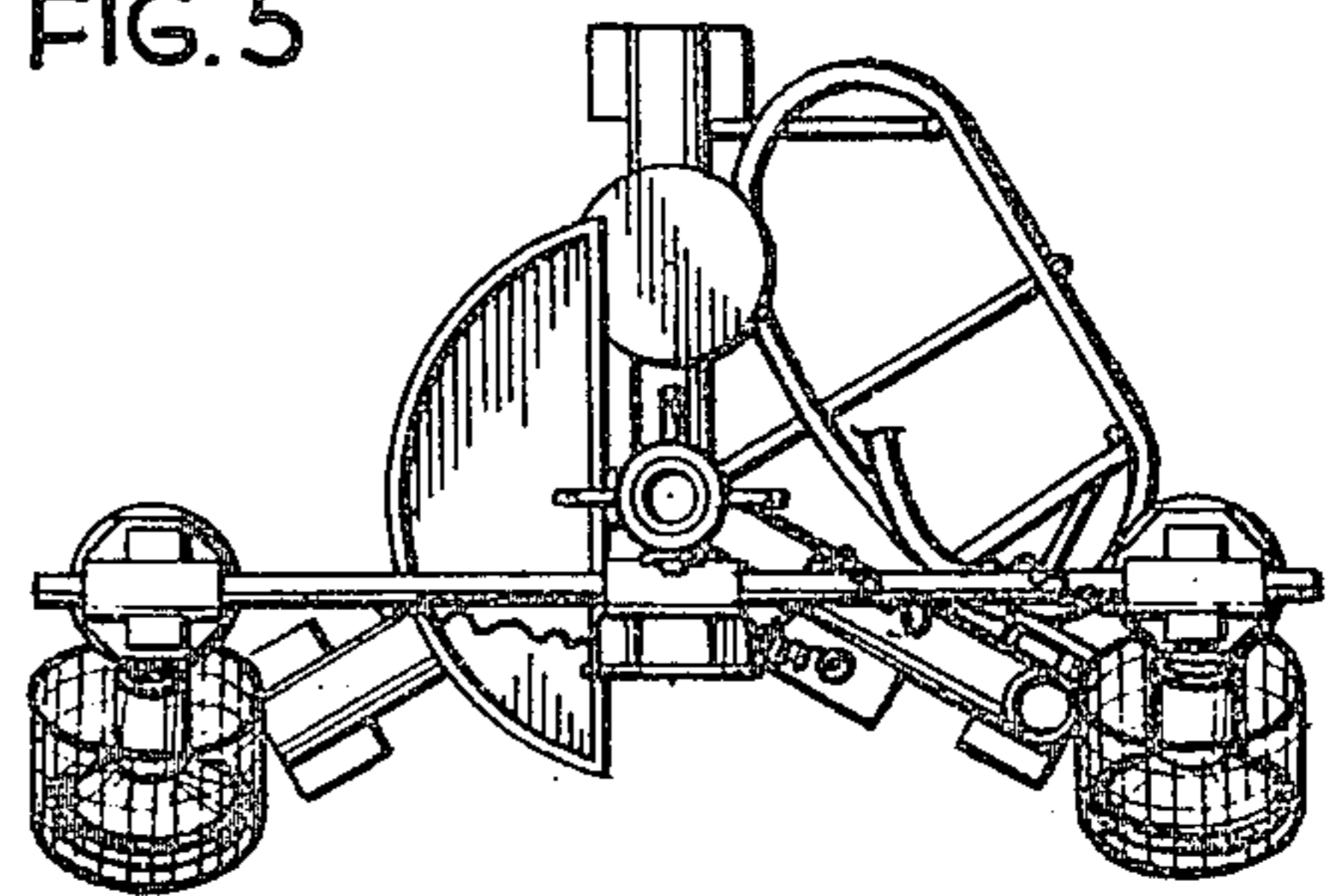


FIG. 6