

[54] WINDOW WELL PROTECTOR

[76] Inventor: Joseph A. Sikorski, 3200 W. Bull Valley Rd., McHenry, Ill. 60050

[**] Term: 14 Years

[21] Appl. No.: 128,853

[22] Filed: Mar. 10, 1980

[52] U.S. Cl. D25/54

[58] Field of Search D25/54; 52/107

[56] References Cited

U.S. PATENT DOCUMENTS

- 3,046,613 7/1962 Smith 52/107
- 3,232,014 2/1966 Frost 52/107 X

3,703,791 11/1972 Slade 52/107

Primary Examiner—A. Hugo Word
Attorney, Agent, or Firm—Terry R. Mohr

[57] CLAIM

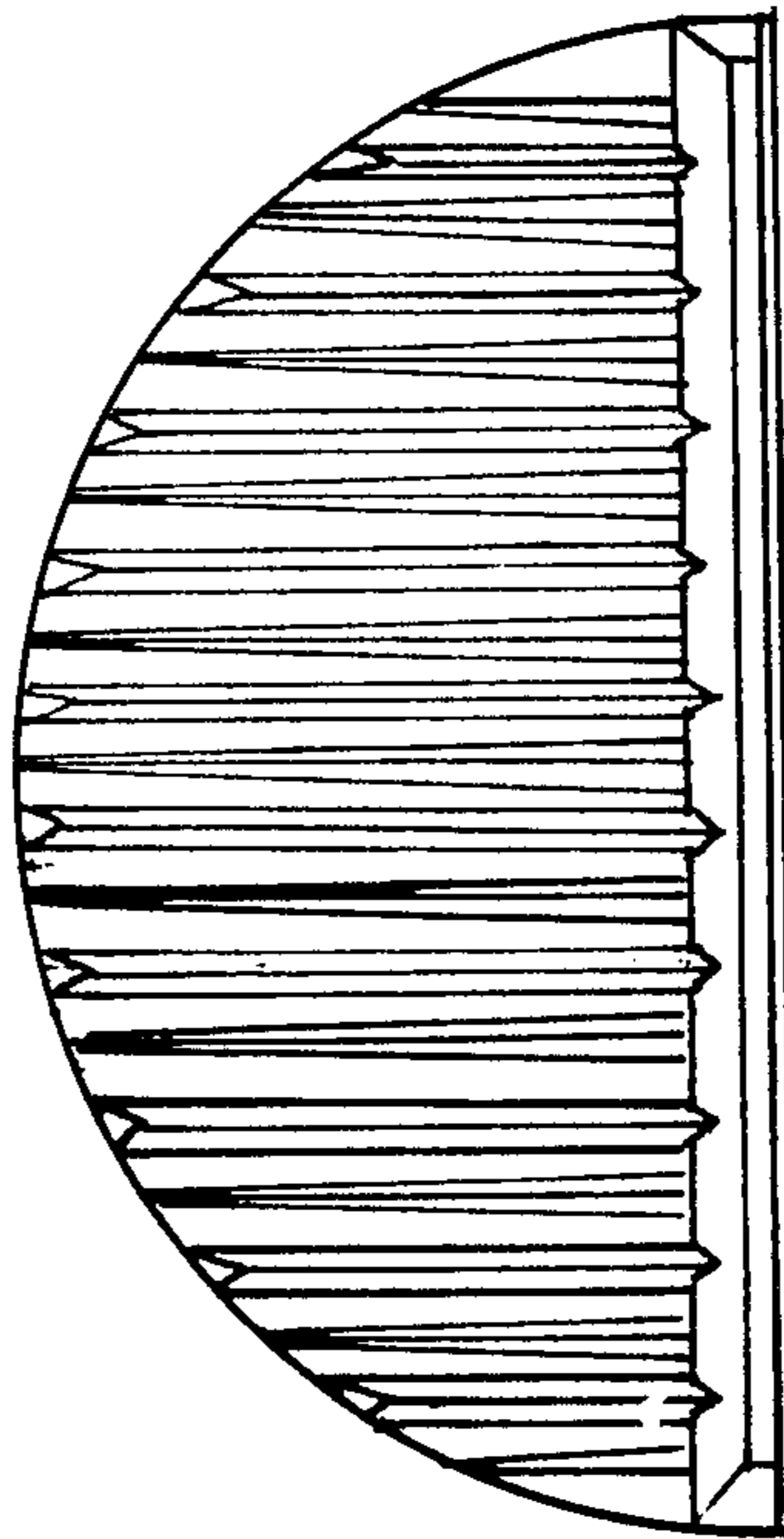
The ornamental design for a window well protector, as shown and described.

DESCRIPTION

FIG. 1 illustrated is a top view of a window well protector showing my new design.

FIG. 2 illustrated is a perspective view of the window well protector showing my new design illustrated in FIG. 1.

The other views of the window well protector are conventional.



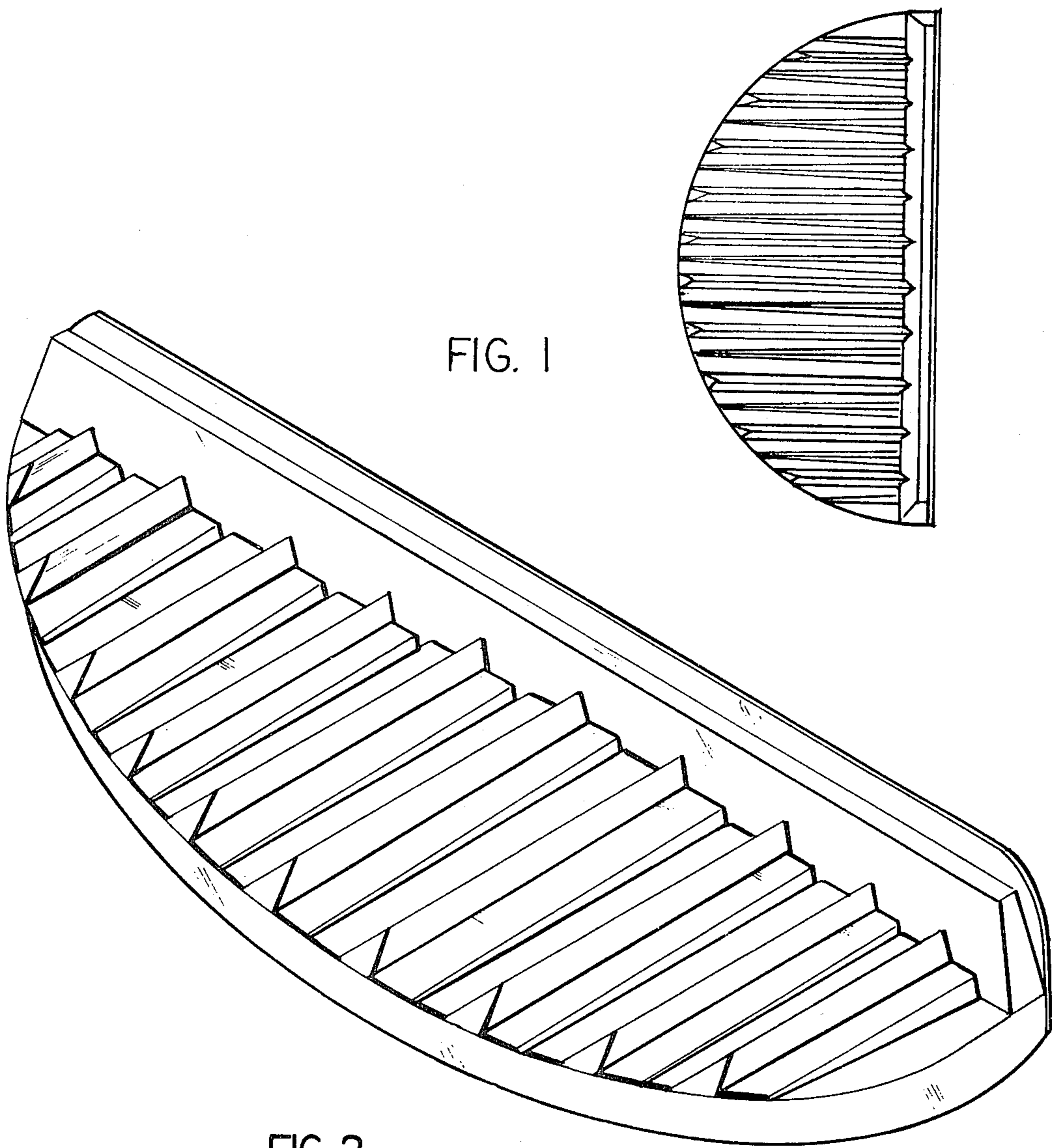


FIG. 1

FIG. 2