

[54] BUILDING FOR THE SELLING OF ICE CREAM

[76] Inventor: Michael B. Gaumer, 381 Getchell Ave., Grayslake, Ill. 60030

[**] Term: 14 Years

[21] Appl. No.: 385,938

[22] Filed: Jun. 7, 1982

[52] U.S. Cl. D25/18; D25/16

[58] Field of Search D25/1, 3, 7, 10, 16, D25/18, 19; D21/51, 52

D. 181,070 9/1957 Critchfield et al. .

D. 202,982 11/1965 Centrone .

D. 205,283 7/1966 Kohner .

D. 229,924 1/1974 Brown D25/18 X

D. 237,379 10/1975 Bondurant D25/10 X

D. 240,522 7/1976 Edwards D25/3 X

1,713,050 5/1929 Natzel et al. .

Primary Examiner—A. Hugo Word
 Attorney, Agent, or Firm—Trexler, Bushnell & Wolters, Ltd.

[56] References Cited
 U.S. PATENT DOCUMENTS

D. 75,511 6/1928 Natzel et al. .

D. 78,897 7/1929 Peterson .

D. 88,501 12/1932 Connery .

D. 151,559 10/1948 Sachs .

D. 168,828 2/1953 Carvel .

D. 169,055 3/1953 Carvel .

D. 170,707 10/1953 Lindgren D25/19

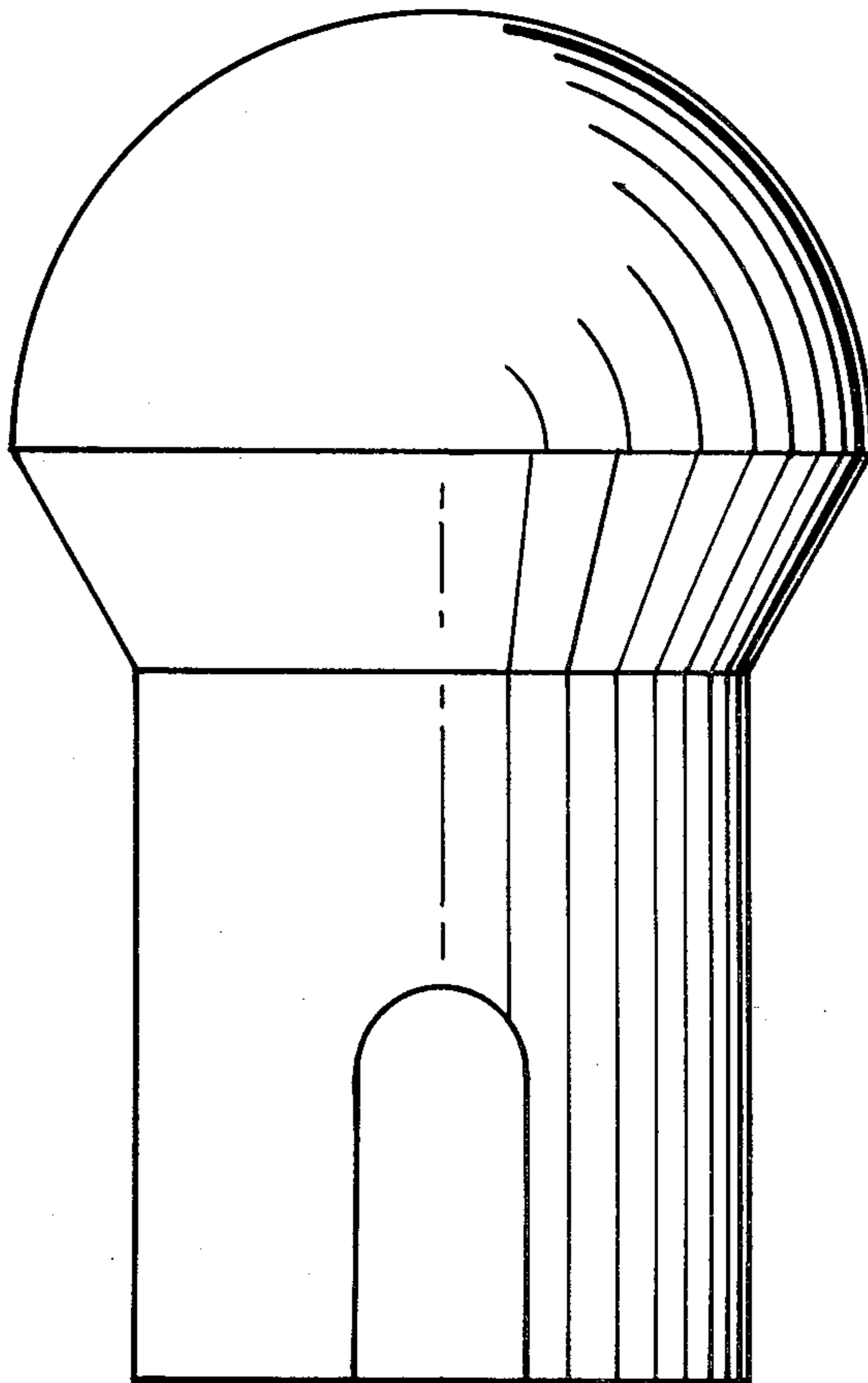
D. 180,243 5/1957 Perez .

[57] CLAIM

The ornamental design for a building for the selling of ice cream, as shown and described.

DESCRIPTION

FIG. 1 is a front view of a building for selling ice cream showing my new design;
 FIG. 2 is a rear view thereof; and
 FIG. 3 is a top view thereof.
 The building is symmetrical about a vertical axis except for the door, whereby side views would be identical with FIG. 2. The bottom is plain.



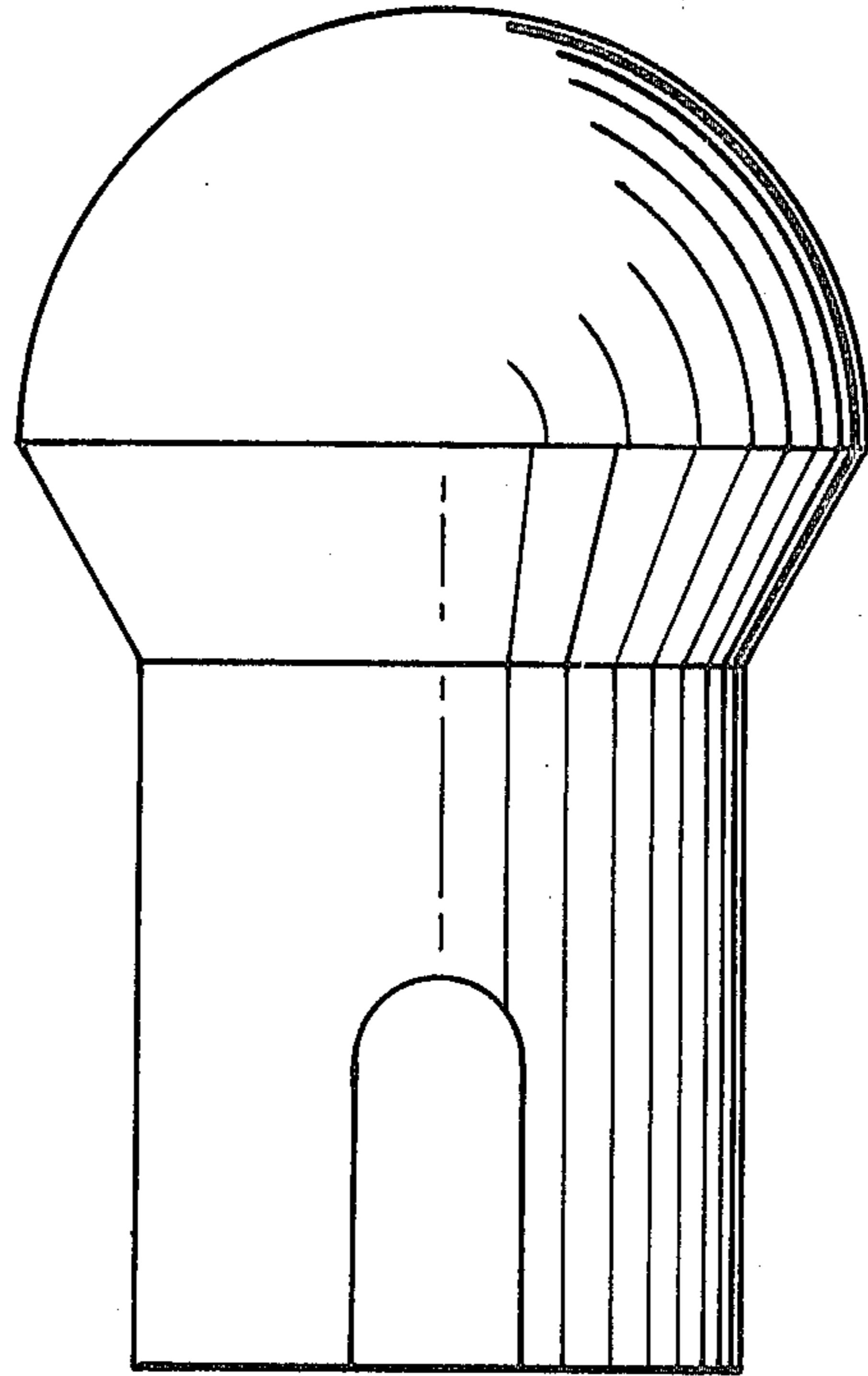


FIG. 1

FIG. 2

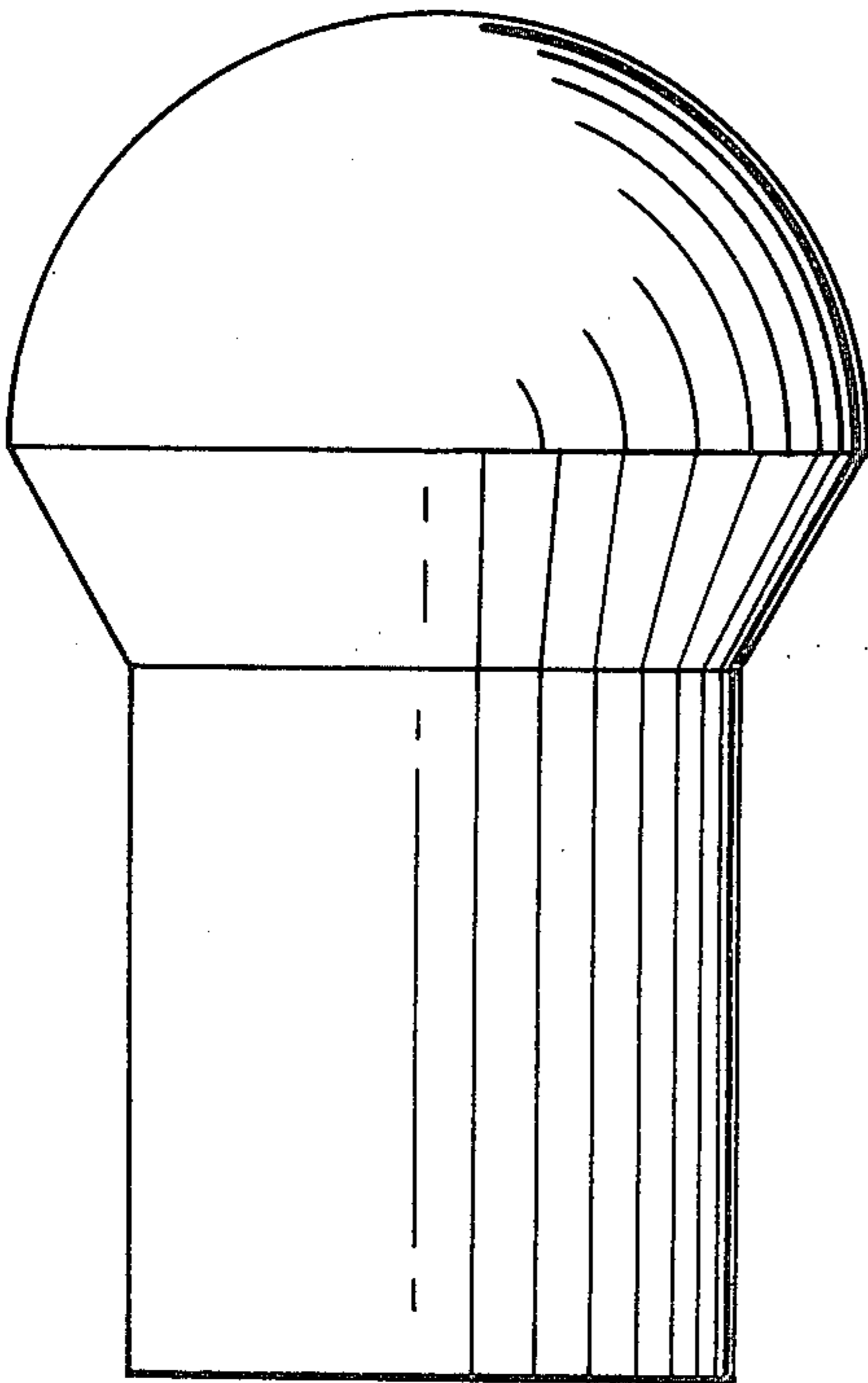


FIG. 3

