

[54] **SOLAR GREENHOUSE**

[76] **Inventor: Berta K. Nelson, 1083 Johnson Rd., Woodbridge, Conn. 06525**

[\*\*] **Term: 14 Years**

[21] **Appl. No.: 407,749**

[22] **Filed: Aug. 13, 1982**

[52] **U.S. Cl. .... D25/15; D25/26**

[58] **Field of Search ..... 135/109, 901; D25/26, D25/22, 15, 13, 19; 47/17; 52/81, 71**

[56] **References Cited**

**U.S. PATENT DOCUMENTS**

D. 263,255	3/1982	Zima	.....	D25/26
D. 267,588	1/1983	Goodell	.....	D25/26 X
1,744,692	1/1930	Wessel	.....	D25/22 X
3,759,277	9/1973	Glade	.....	D25/22 X

*Primary Examiner*—A. Hugo Word

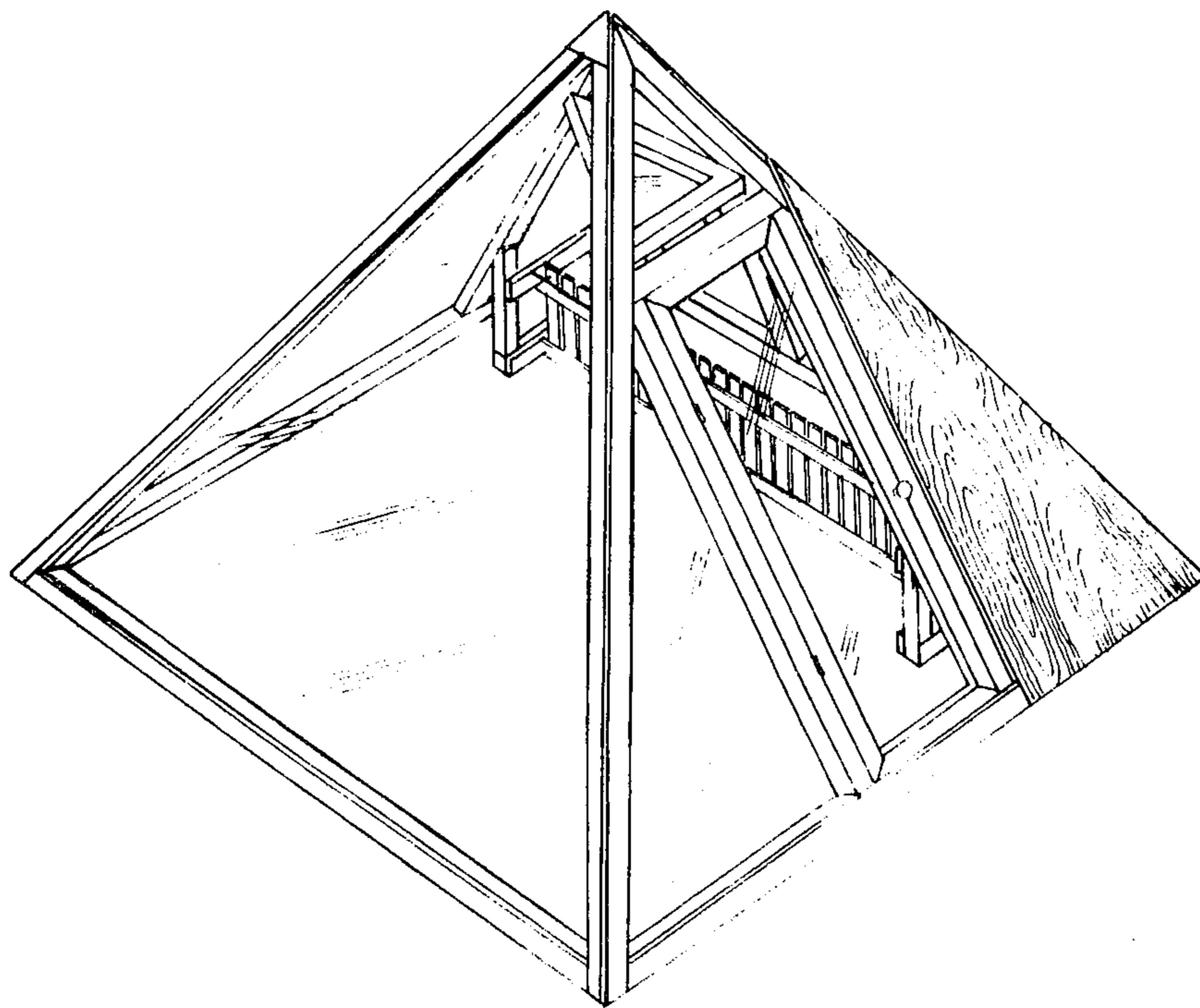
*Attorney, Agent, or Firm*—Mattern, Ware, Stoltz & Fressola

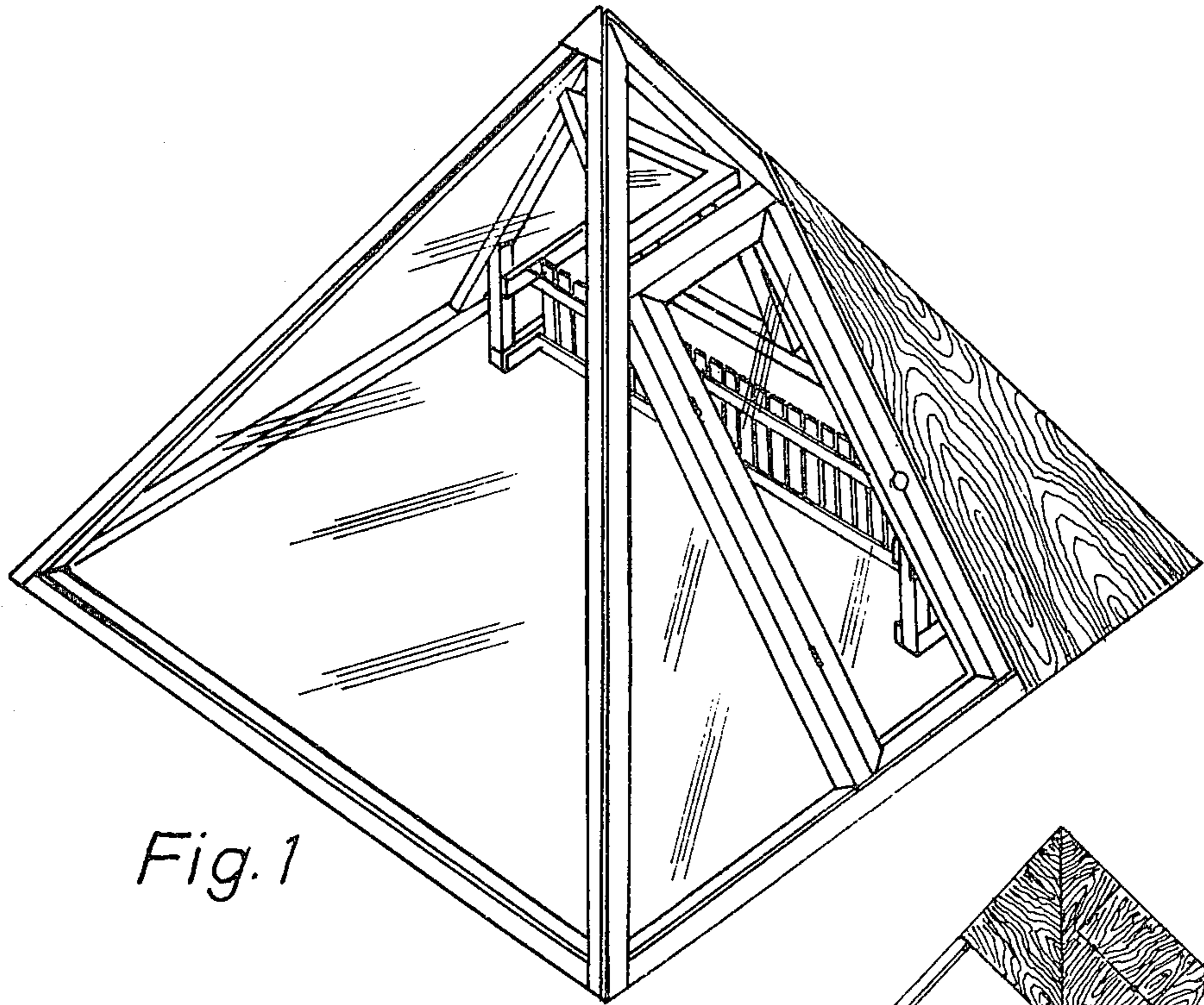
[57] **CLAIM**

The ornamental design for a solar greenhouse, substantially as shown and described.

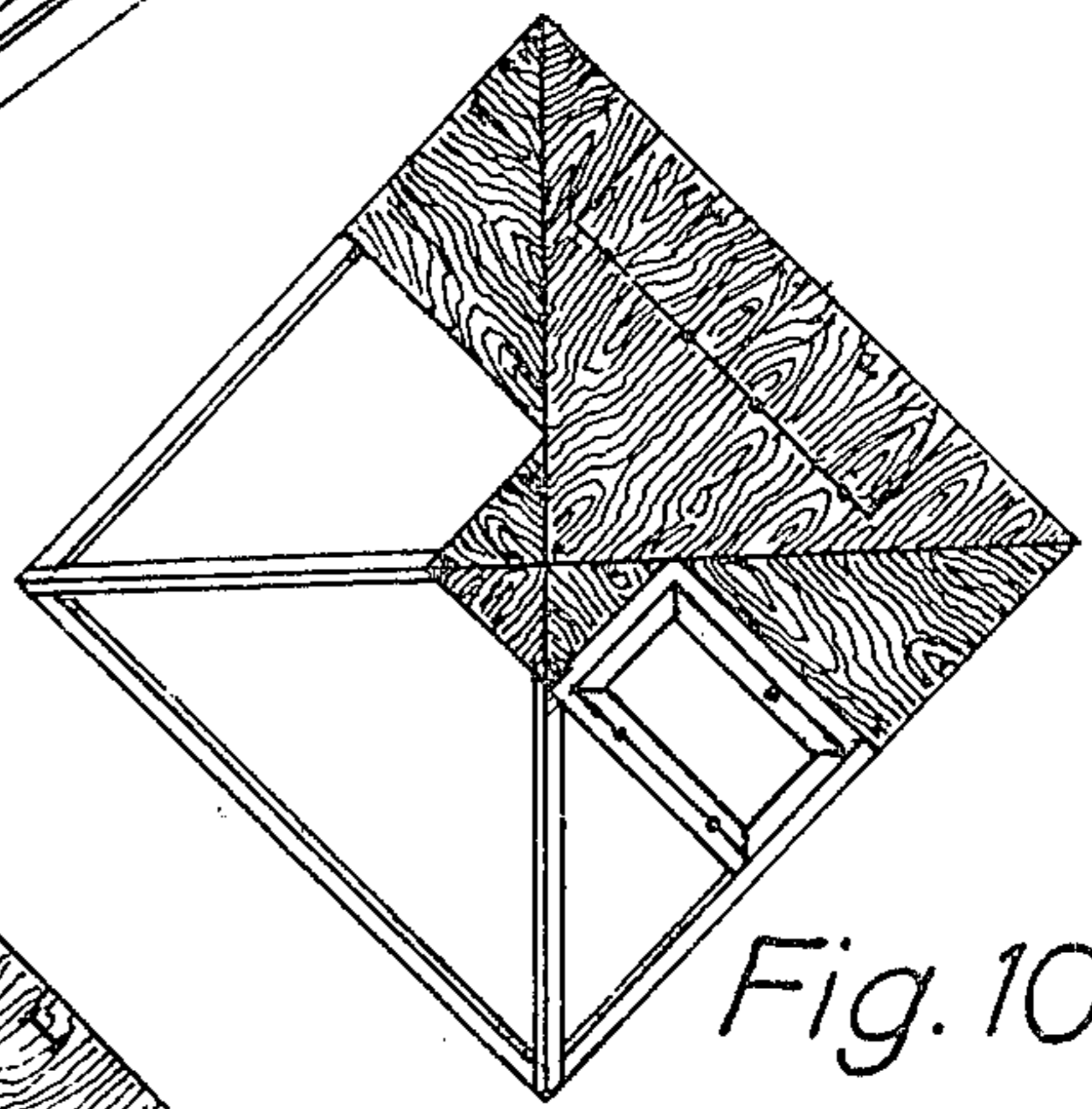
**DESCRIPTION**

FIG. 1 is a perspective view of my new design the solar greenhouse;  
FIG. 2 is a top plan view thereof, partially broken away, to show the visible interior portion;  
FIG. 3 is a top plan view thereof;  
FIG. 4 is a bottom plan view thereof;  
FIG. 5 is a right side elevation view thereof;  
FIG. 6 is a rear elevation view thereof;  
FIG. 7 is a left side elevational view thereof;  
FIG. 8 is a front elevational view thereof;  
FIG. 9 is a rear perspective view thereof, shown with the doors of the compost bin in an open position; and  
FIG. 10 is a top plan view of an alternate embodiment of a solar greenhouse embodying my new design.

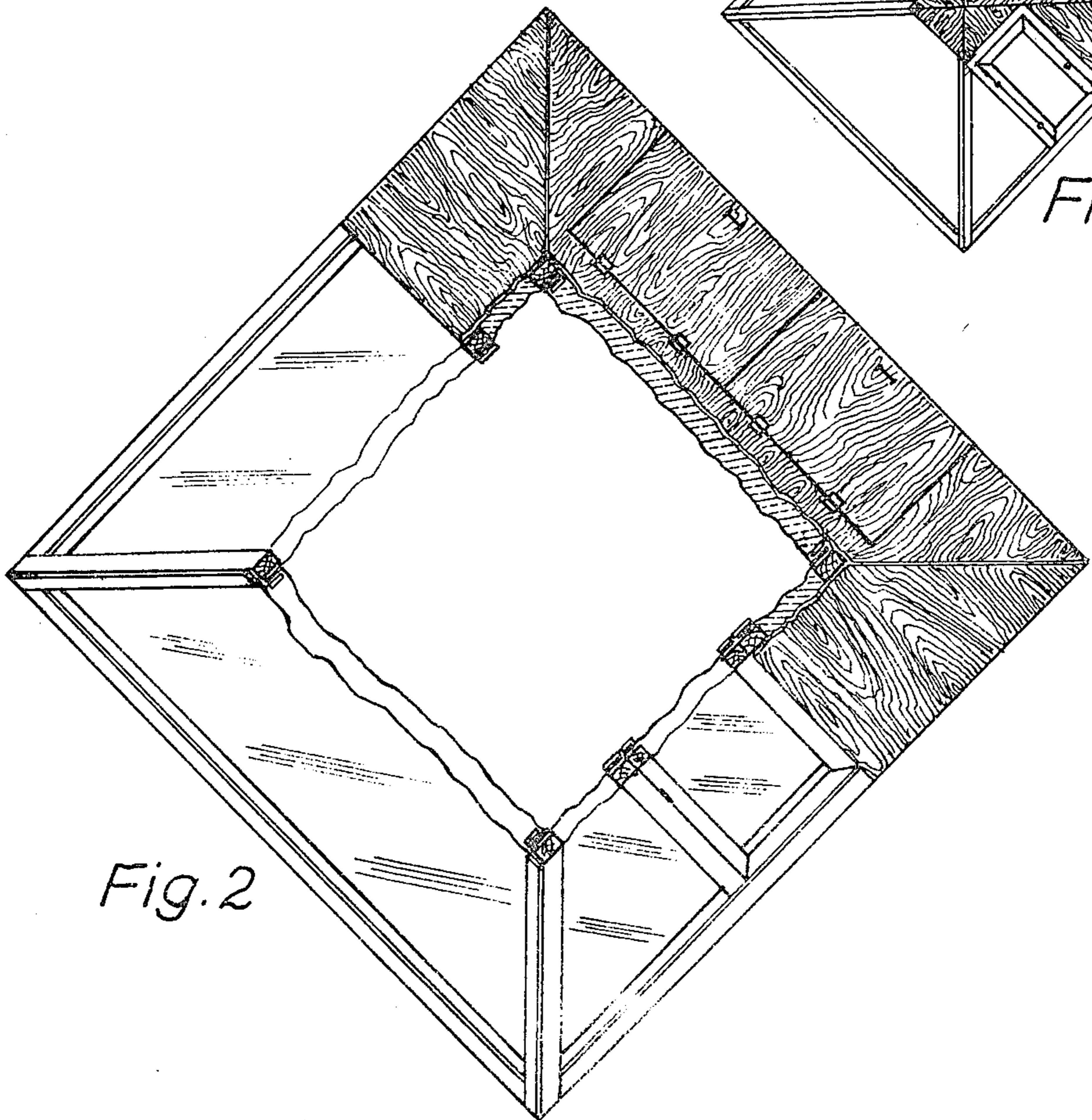




*Fig. 1*

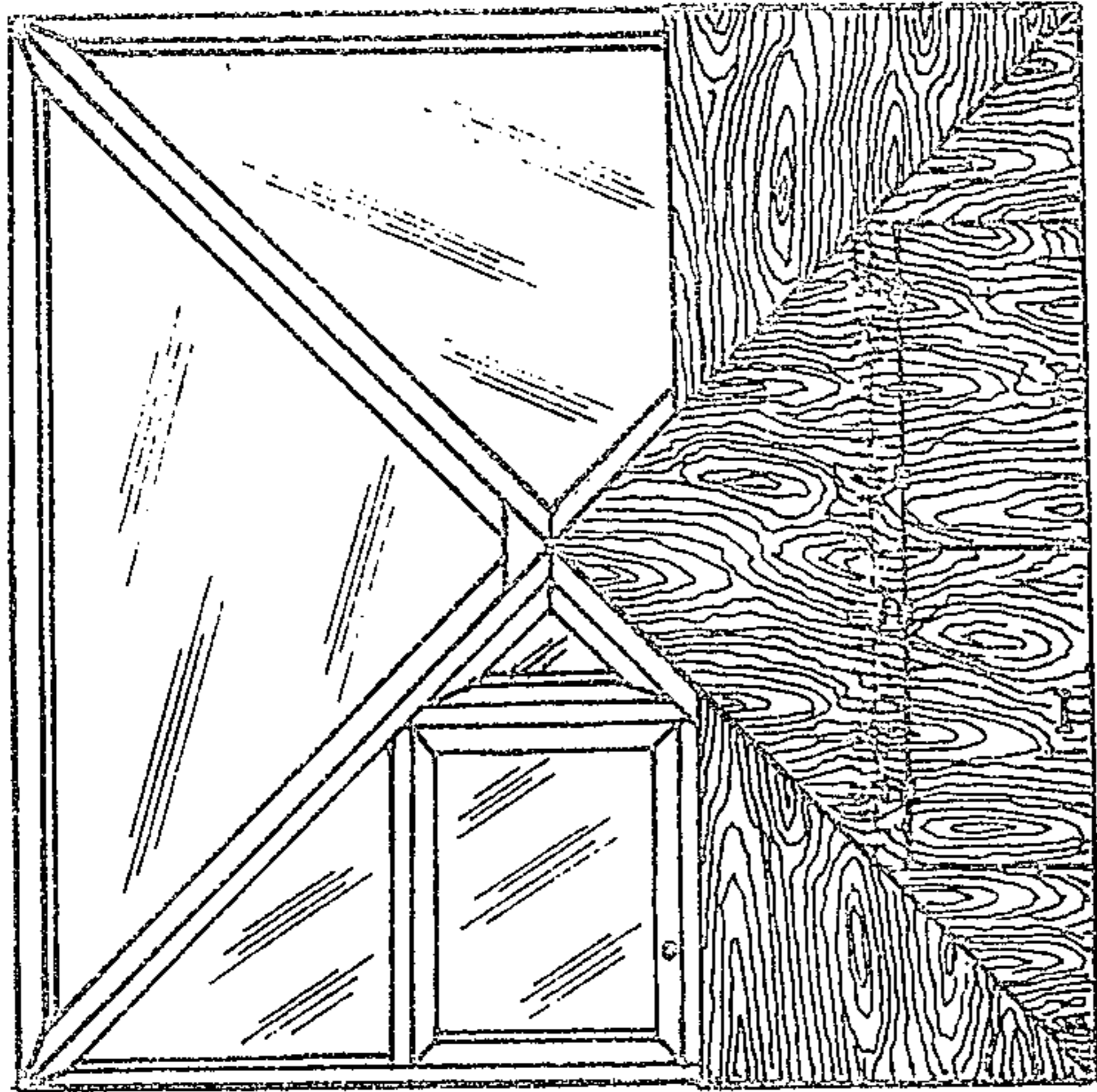


*Fig. 10*

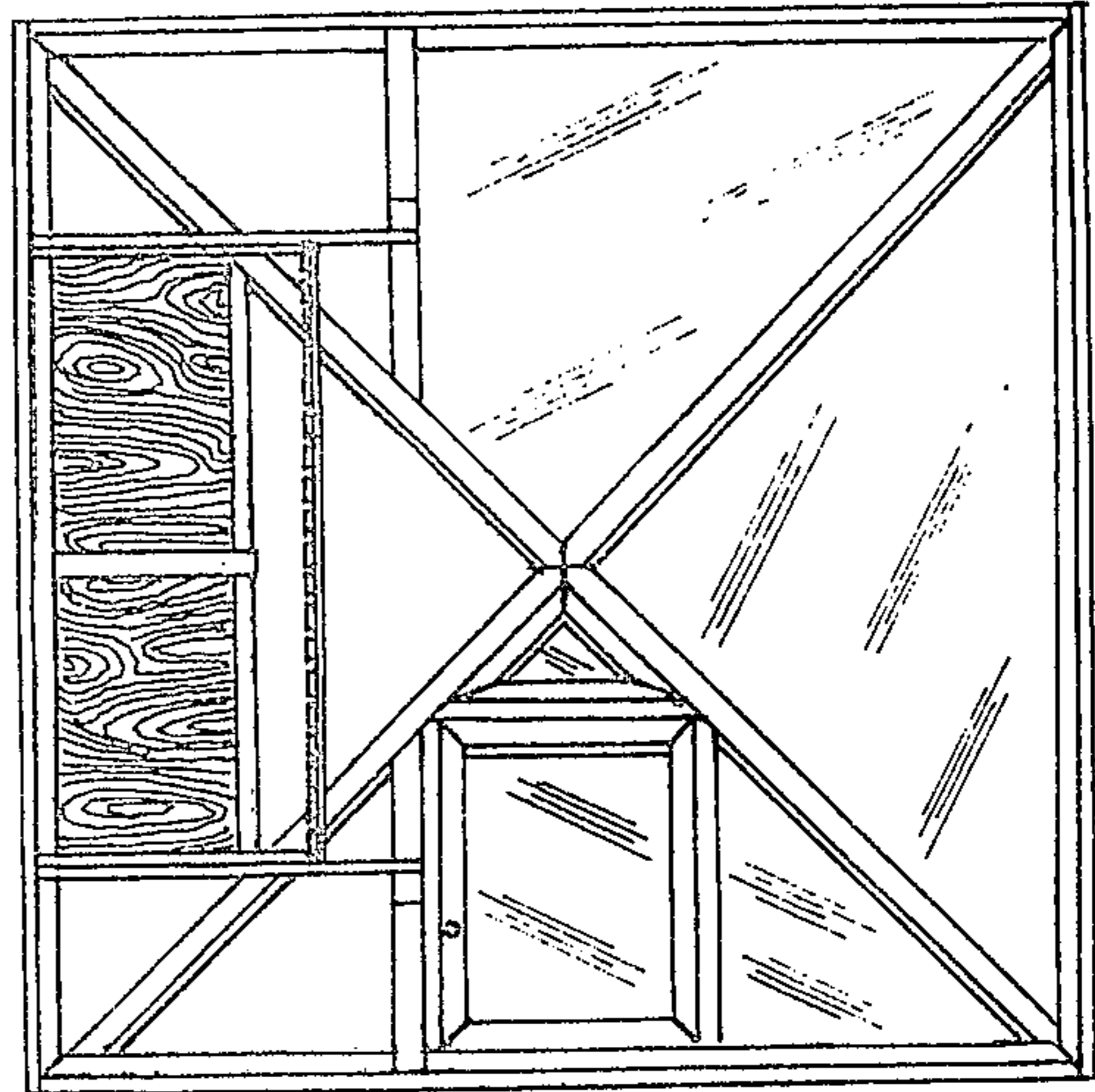


*Fig. 2*

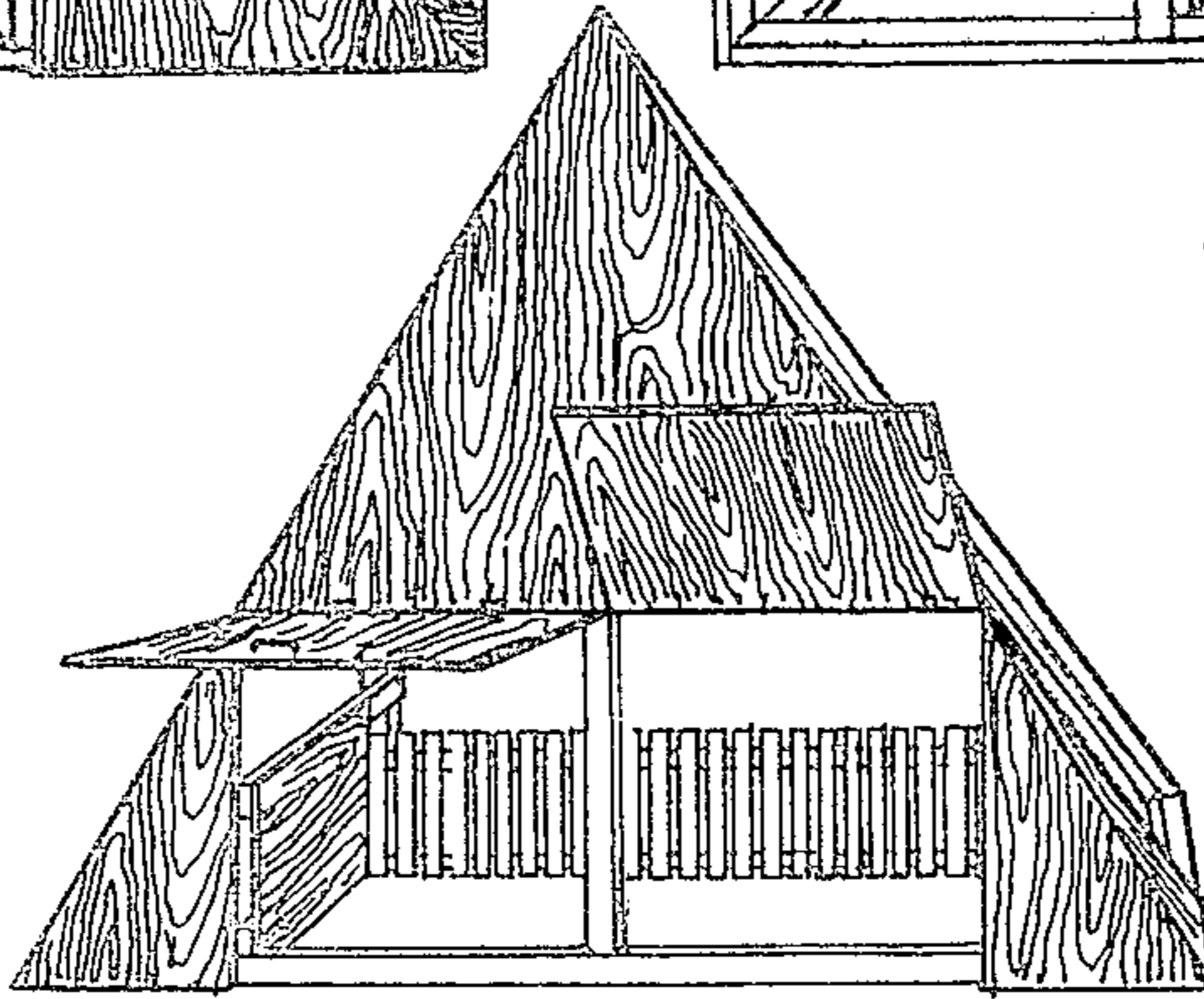




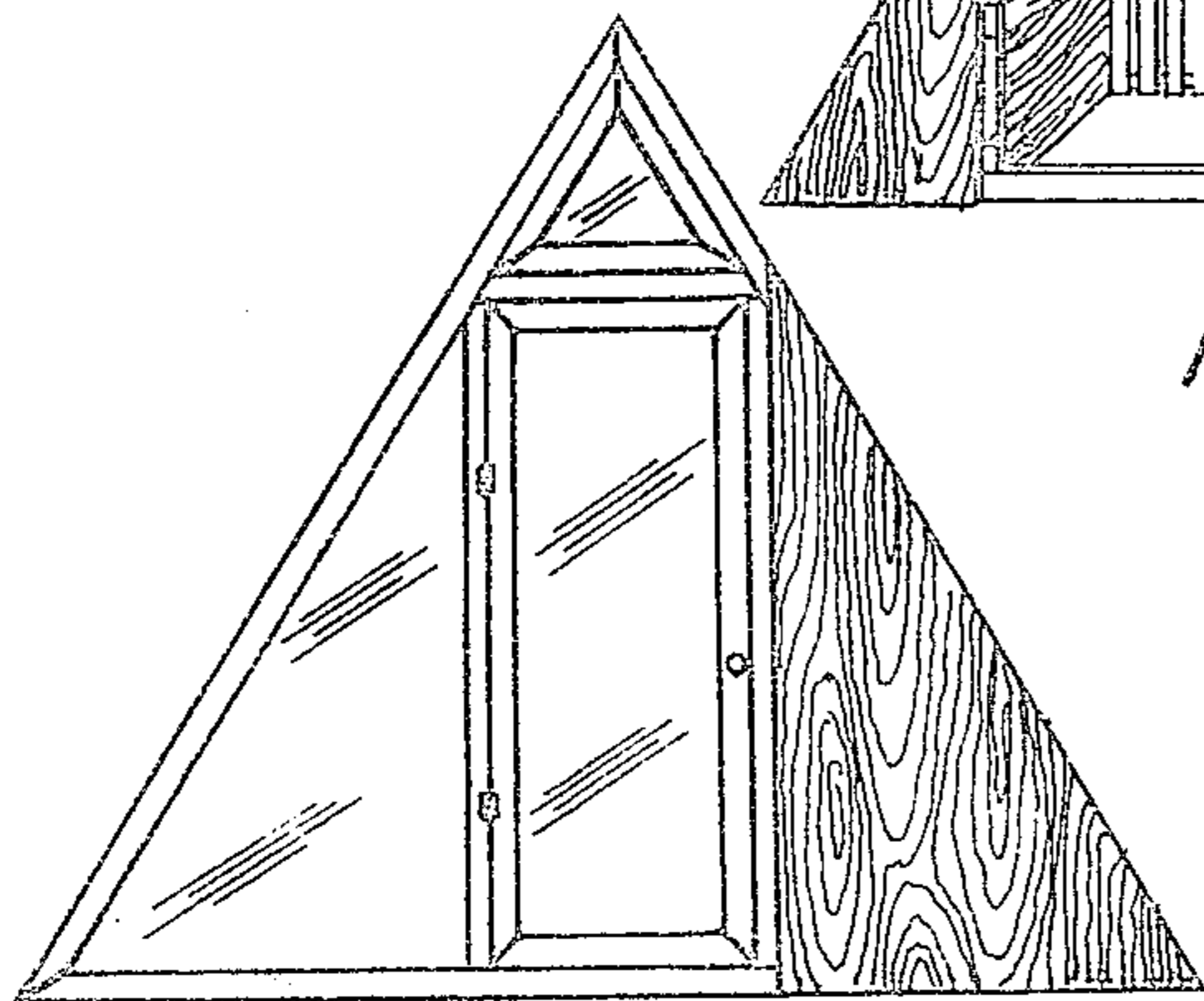
*Fig. 3*



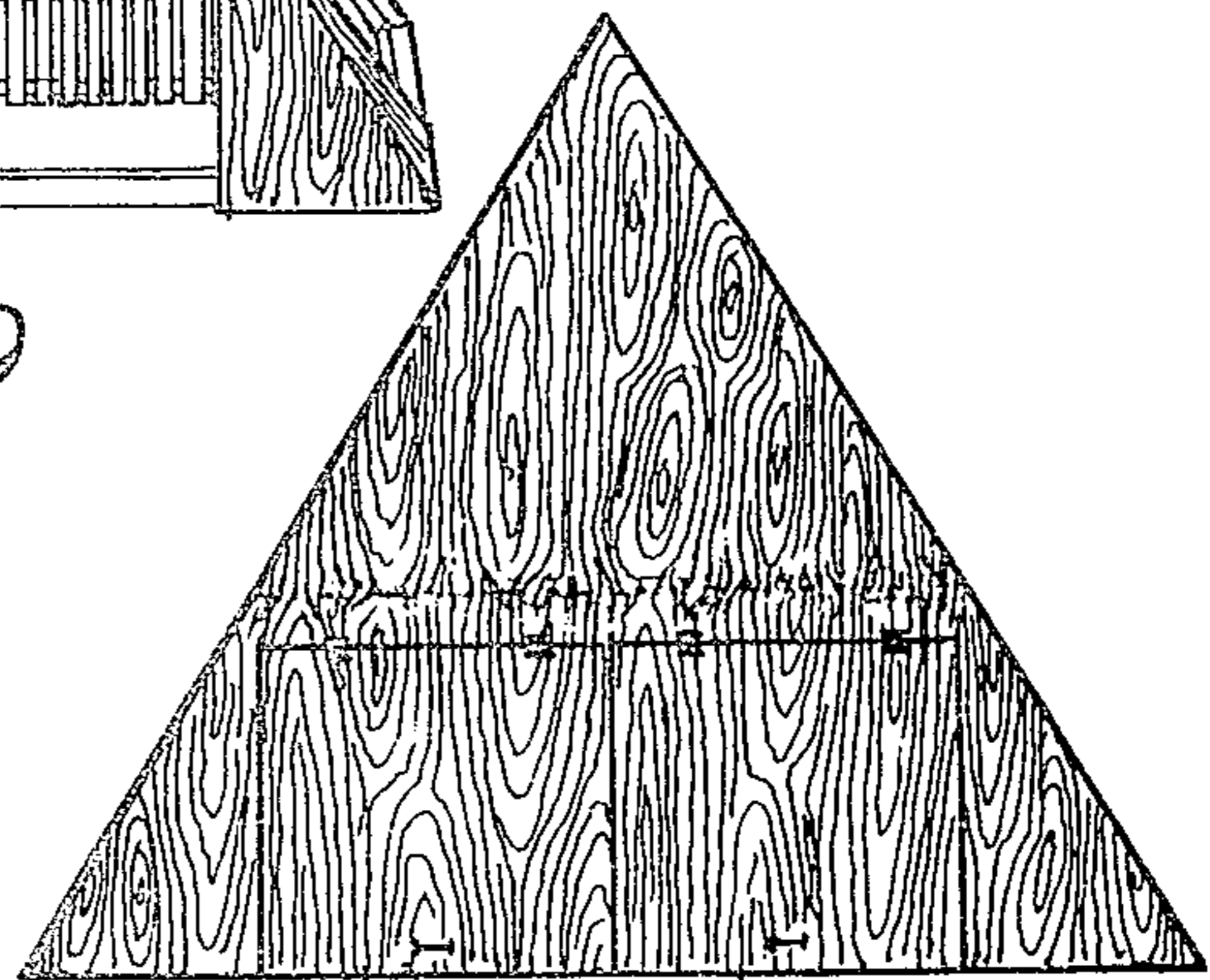
*Fig. 4*



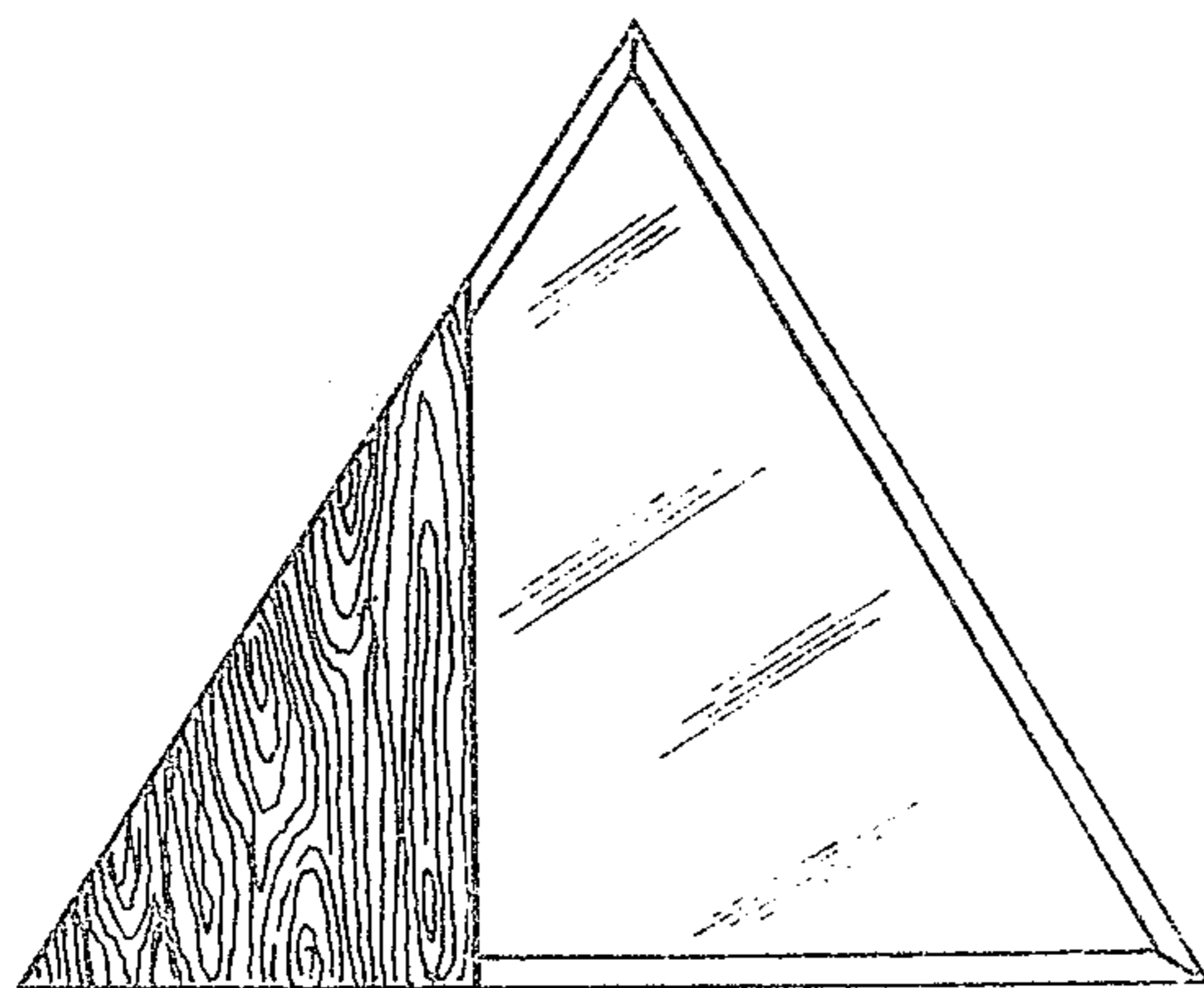
*Fig. 9*



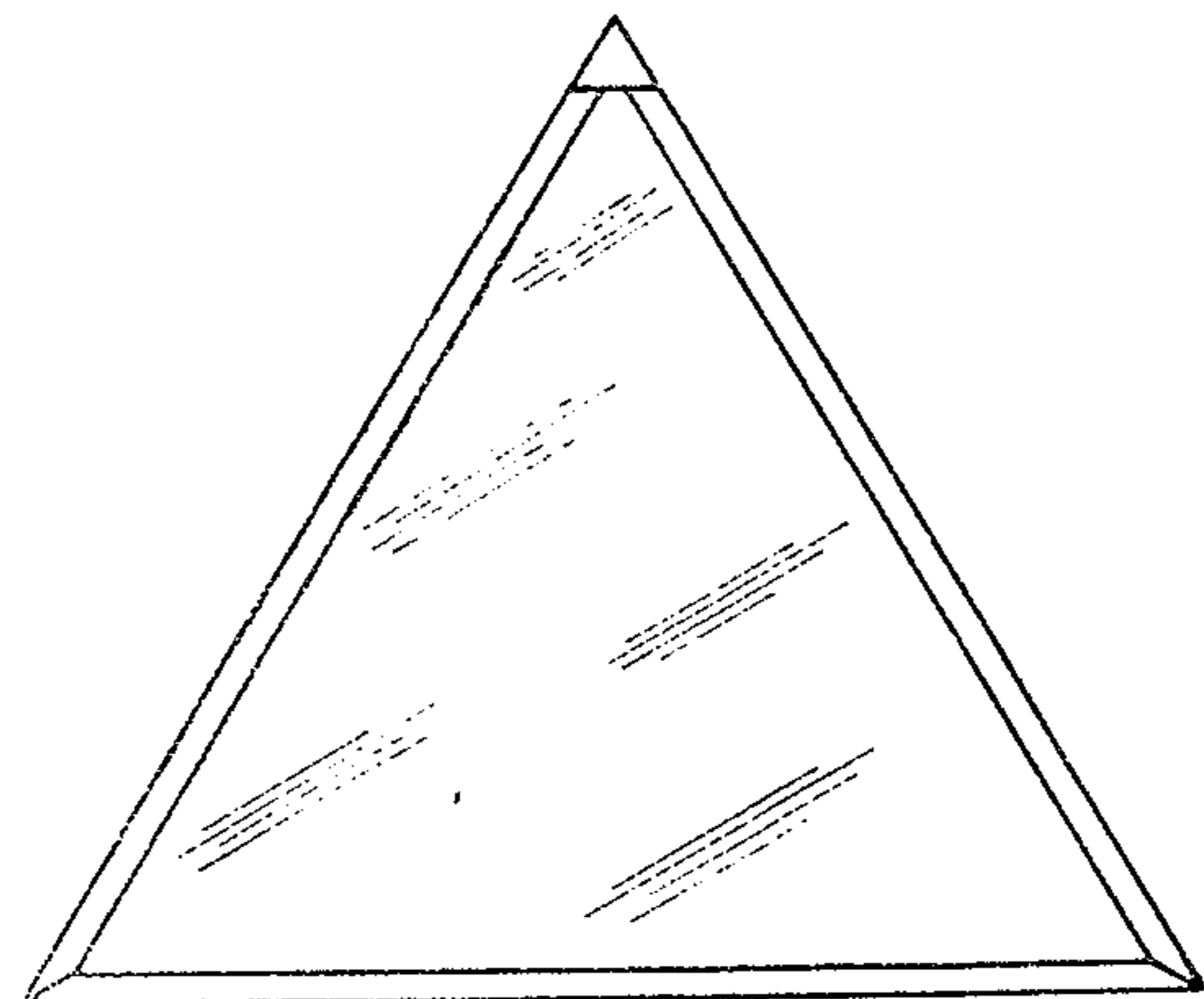
*Fig. 5*



*Fig. 6*



*Fig. 7*



*Fig. 8*