

[54] PRESCRIPTION DISPENSING TRAY

[75] Inventors: Marvin L. Sheward; Michael L. Sheward, both of Elwood, Ind.

[73] Assignee: EPCo., Inc., Elwood, Ind.

[**] Term: 14 Years

[21] Appl. No.: 347,908

[22] Filed: Feb. 11, 1982

[52] U.S. Cl. D24/31; D9/425

[58] Field of Search D9/425, 341; D24/31; 206/352, 557-567, 518

[56] References Cited

U.S. PATENT DOCUMENTS

D. 212,514	10/1968	Wolfe	D24/31
D. 222,791	12/1971	Costello	D24/31
D. 235,811	7/1975	Parsons	D24/31
D. 242,291	11/1976	Gerding et al.	D24/31
D. 249,637	9/1978	Iten	D9/341
D. 255,658	7/1980	Dugan et al.	D9/425
3,357,625	12/1967	Malmgren	D9/425 X

3,480,197 11/1969 Massey D9/425 X

Primary Examiner—Susan J. Lucas
Attorney, Agent, or Firm—Barnes, Kisselle, Raisch,
Choate, Whittemore & Hulbert

[57] CLAIM

The ornamental design for a prescription dispensing tray, as shown and described.

DESCRIPTION

FIG. 1 is a top view of the prescription dispensing tray. FIG. 2 is an elevational view of one side of the prescription dispensing tray; the other side is identical to that shown in FIG. 2.

FIG. 3 is a view of the bottom of the prescription dispensing tray.

FIG. 4 is an end view of the prescription dispensing tray; the other end is identical to that shown in FIG. 4. FIG. 5 is a perspective view of the tray as seen from the top and front of FIG. 1.

FIG. 6 is a perspective view of the tray as seen from the rear and bottom of FIG. 1.

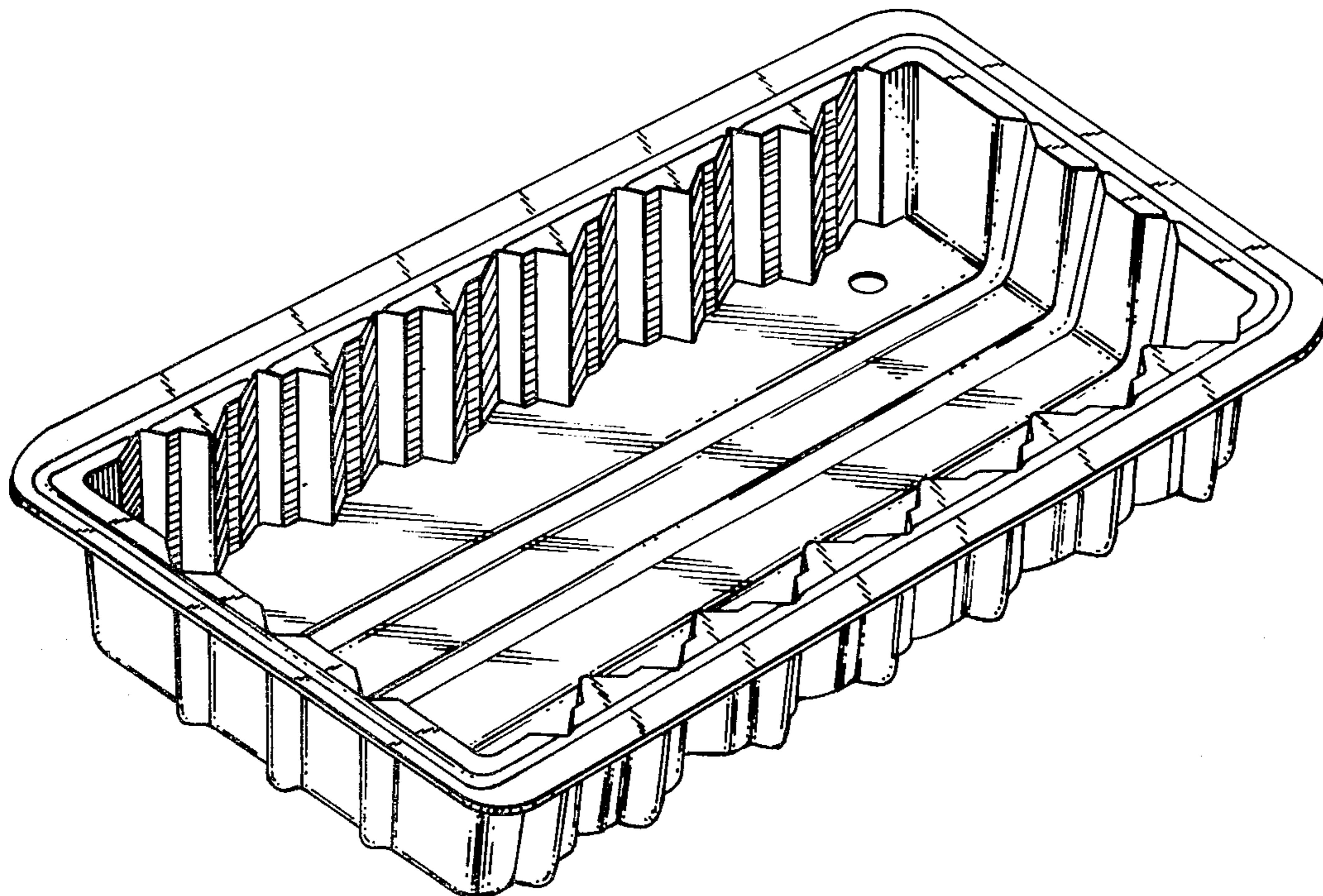


FIG. 1

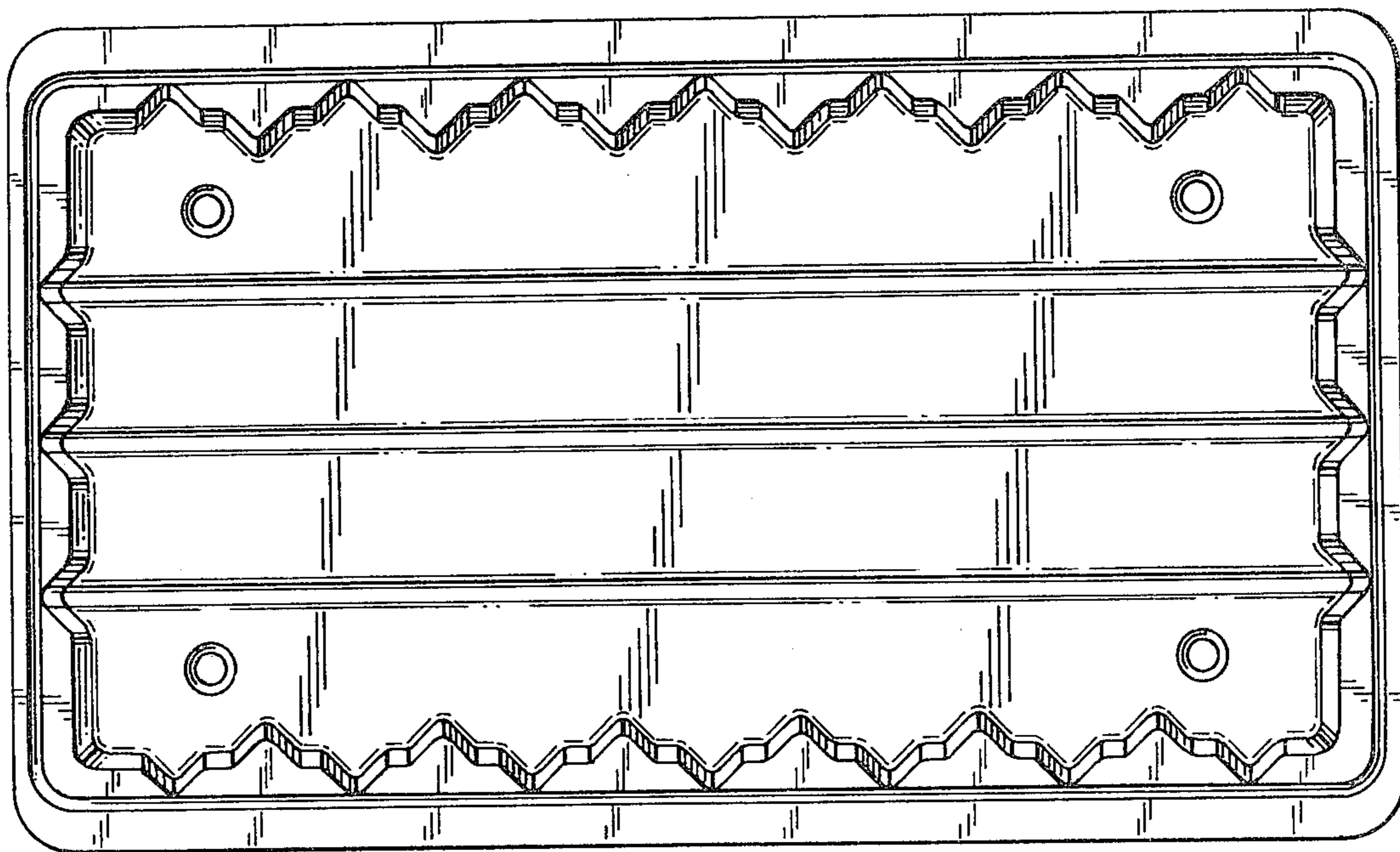


FIG. 2

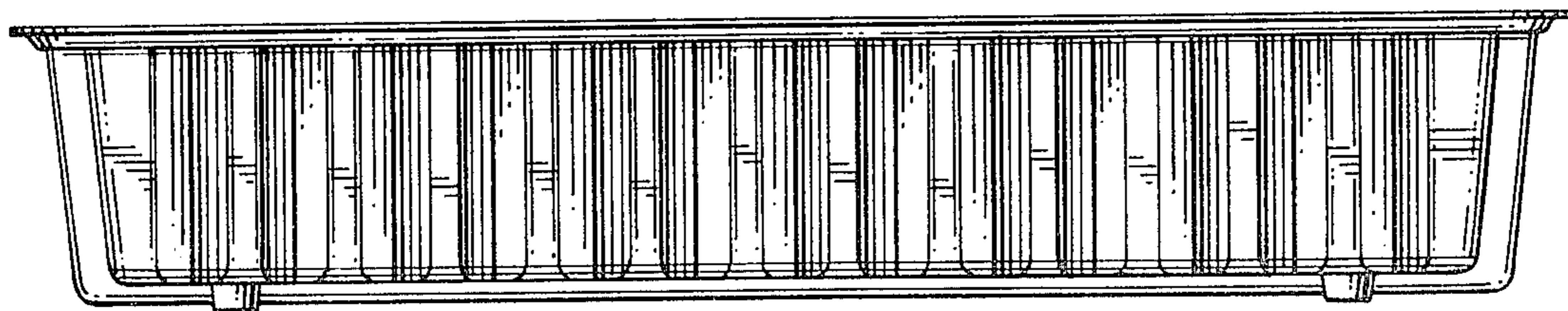


FIG. 3

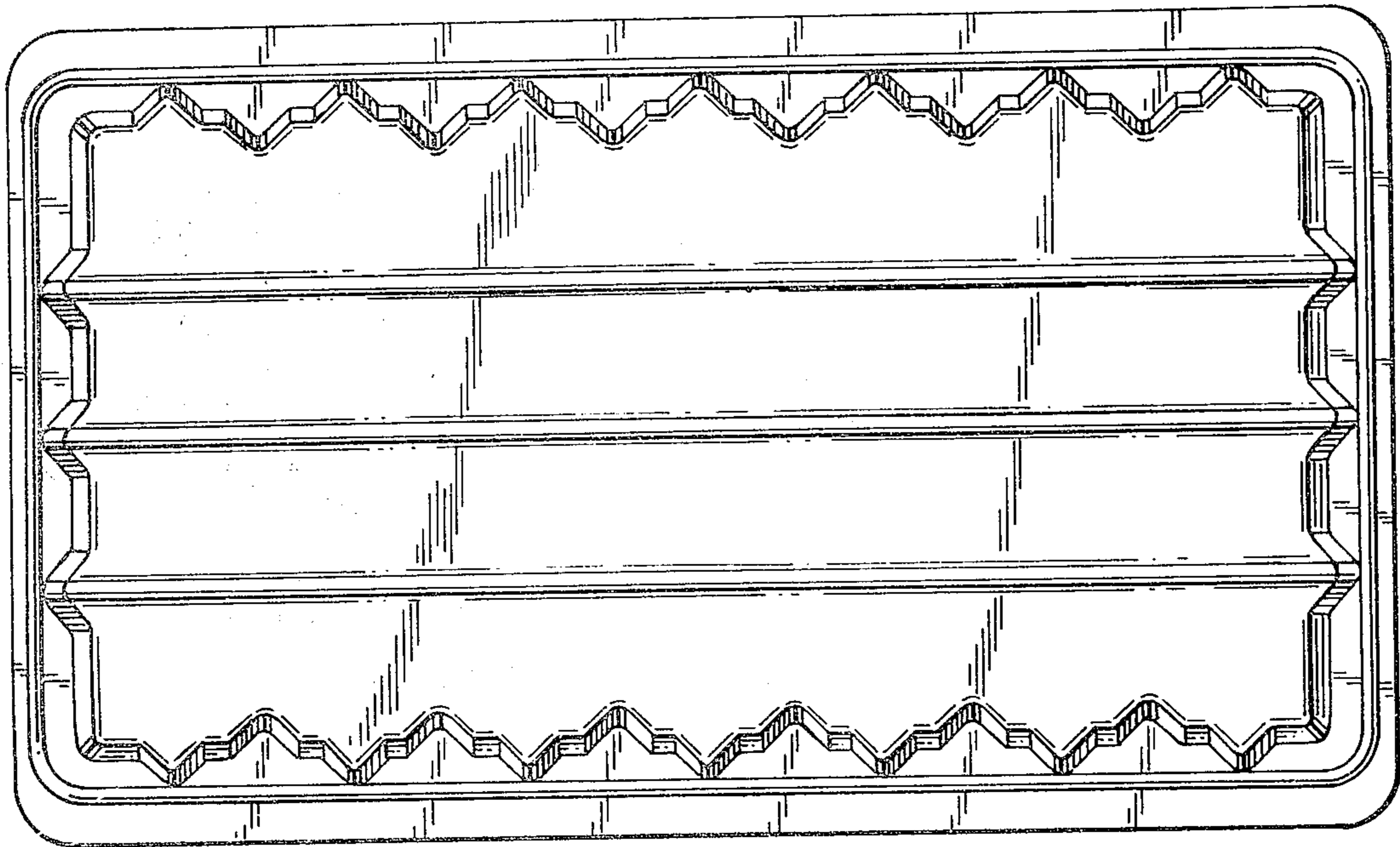


FIG. 4

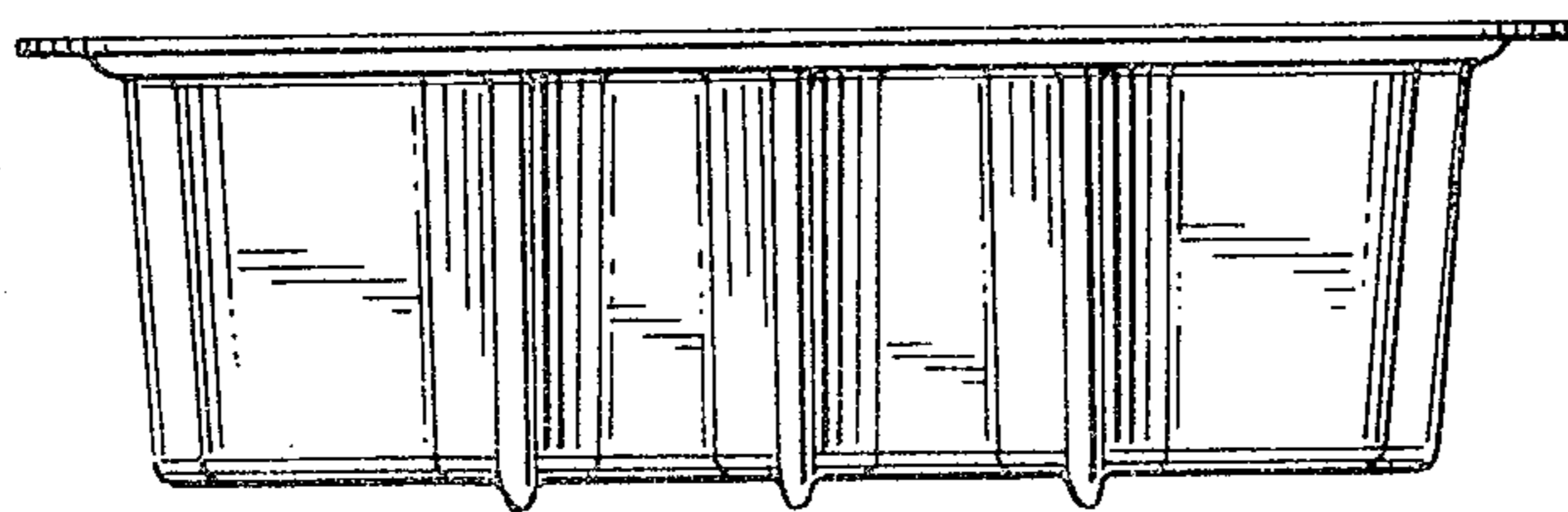


FIG. 5

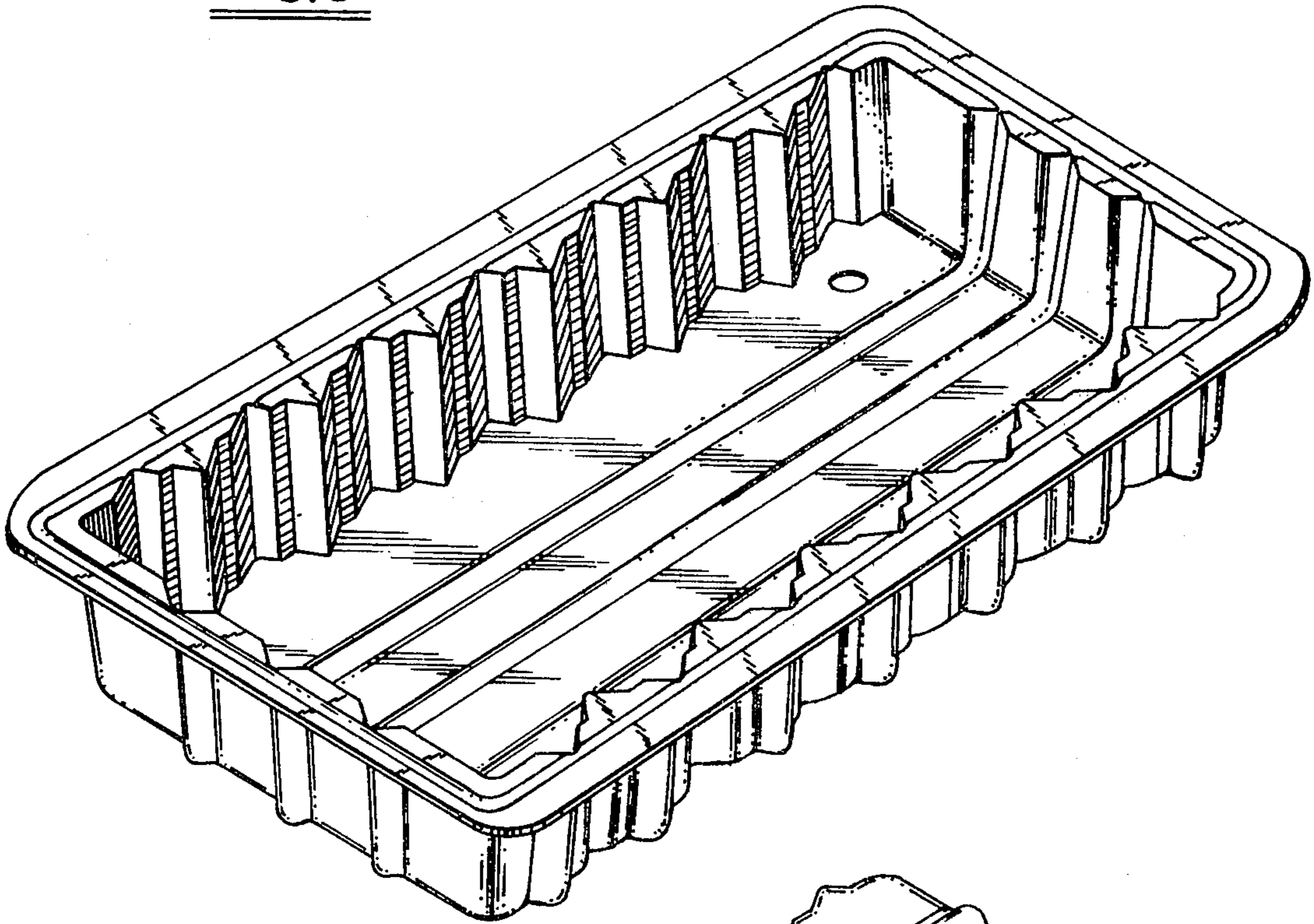


FIG. 6

