

[54] FAN BLADE

[75] Inventor: James R. C. Bushong, Riverside, Calif.

[73] Assignee: Hayden, Inc., Corona, Calif.

[**] Term: 14 Years

[21] Appl. No.: 344,213

[22] Filed: Jan. 29, 1982

[52] U.S. Cl. D23/165

[58] Field of Search D23/163, 165, 167; 416/189 R

D. 246,796	12/1977	Laymon et al.	D23/165
277,535	5/1883	Baker	416/189
1,056,226	3/1913	Sparks	416/189
1,072,189	9/1913	Sparks	416/189
2,091,677	8/1937	Fredericks	416/189
2,426,742	9/1947	Pawlowski	416/189
4,358,245	11/1982	Gray	416/189

Primary Examiner—James R. Largen
Attorney, Agent, or Firm—Harvey C. Nienow

[57] CLAIM

The ornamental design for a fan blade, shown and described.

DESCRIPTION

FIG. 1 is a front elevational view of a fan blade showing my new design;

FIG. 2 is an elevational view taken from one side thereof, the other side being the same as the side shown; and

FIG. 3 is a rear elevational view thereof.

[56] References Cited

U.S. PATENT DOCUMENTS

D. 43,510	2/1913	Sparks	D23/165
D. 136,162	8/1943	Leo	D23/165
D. 142,260	8/1945	Leo	D23/165
D. 142,959	11/1945	Leo	D23/165
D. 173,436	11/1954	Kline	D23/165

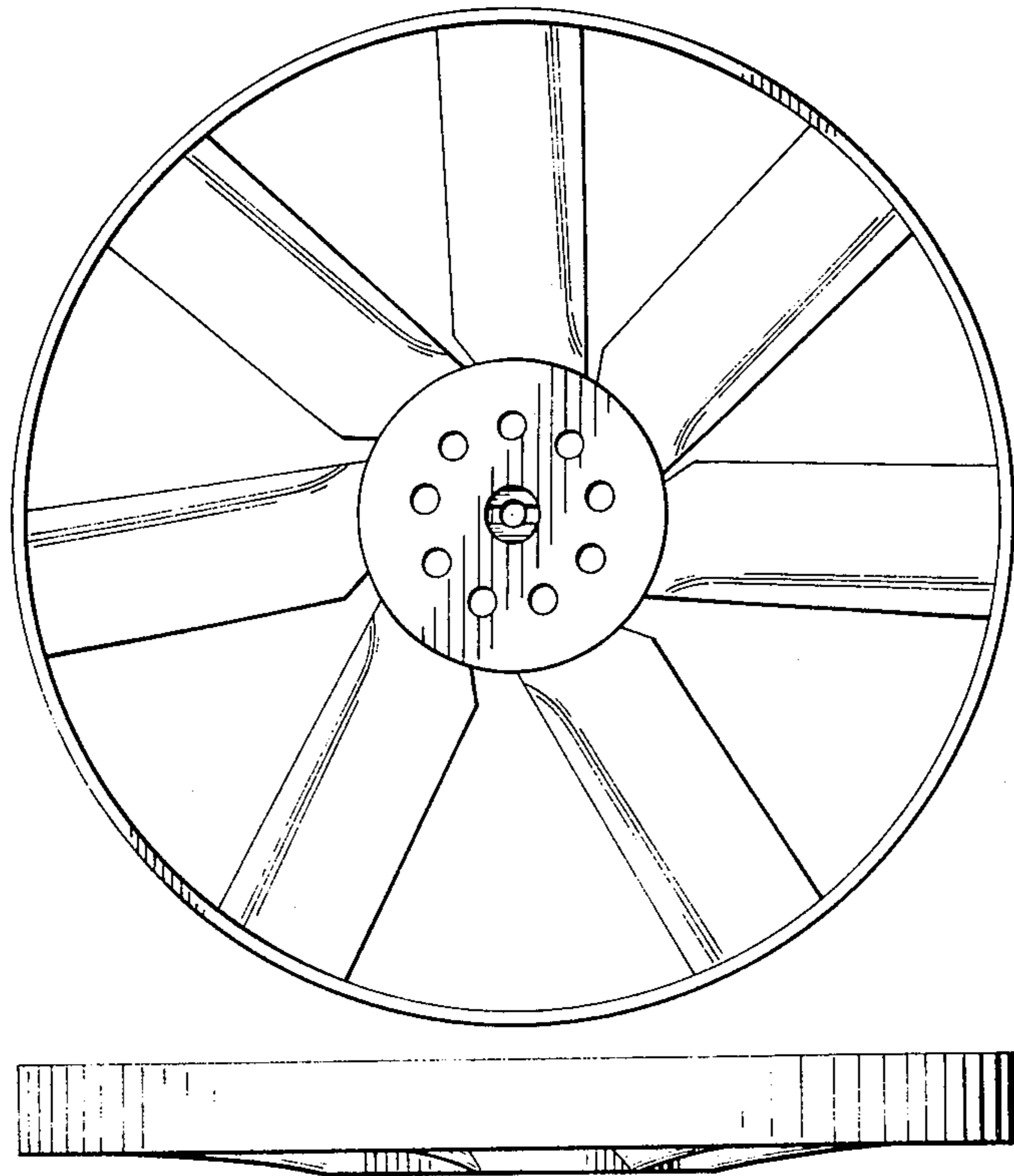


FIG. 1

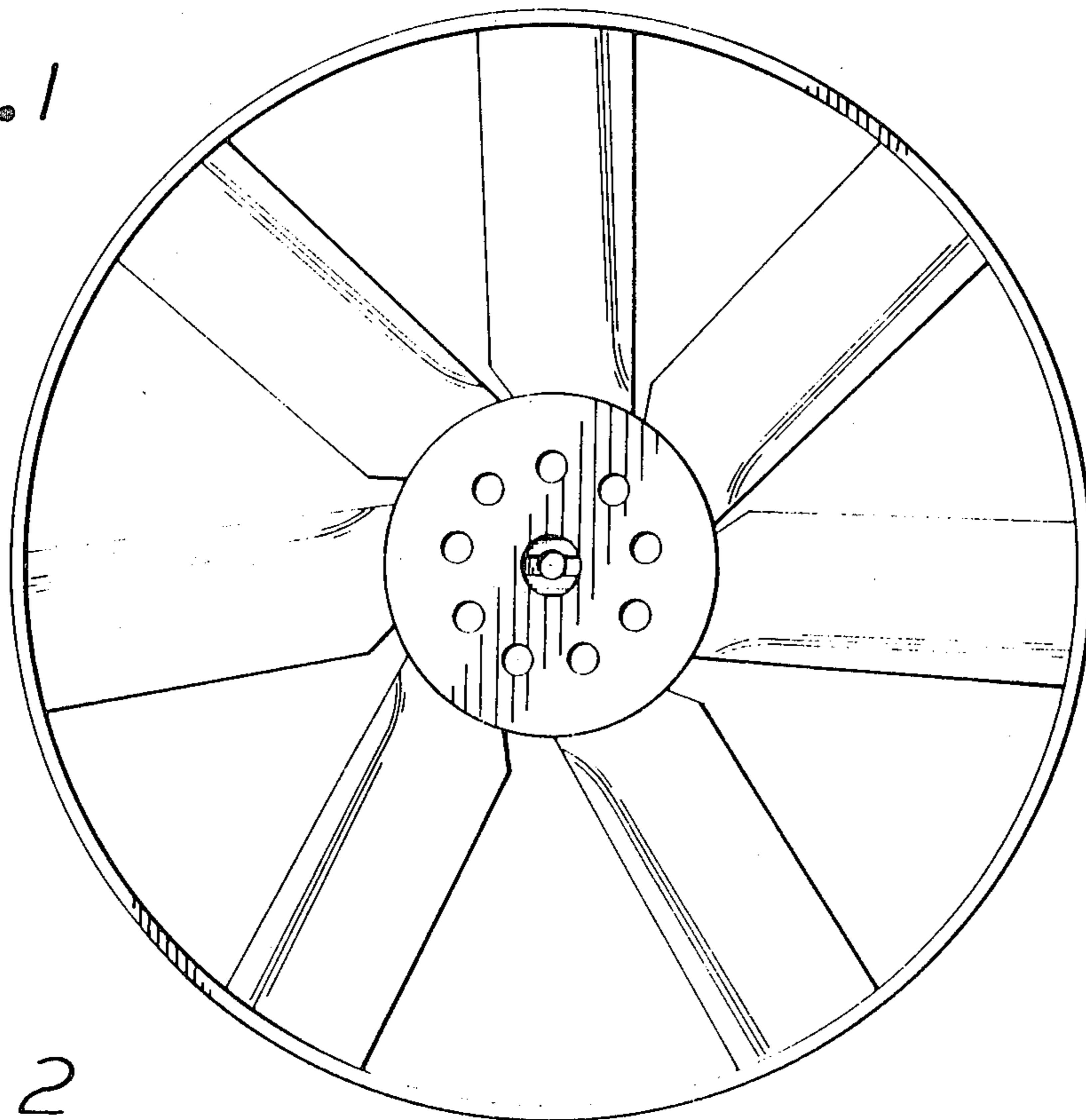


FIG. 2

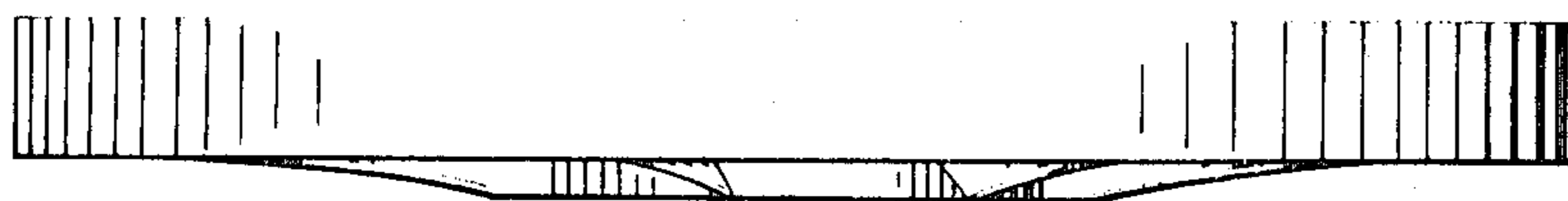


FIG. 3

