

[54] **OIL-FIRED SPACE HEATER**

496301 2/1979 Japan .

[75] **Inventor: Kazuharu Nakamura, Nagoya, Japan**

[73] **Assignee: Toyotomi Kogyo Co., Ltd., Aichi, Japan**

[\*\*] **Term: 14 Years**

[21] **Appl. No.: 439,491**

[22] **Filed: Nov. 5, 1982**

[30] **Foreign Application Priority Data**

May 7, 1982 [JP] Japan ..... 57-19798

[52] **U.S. Cl. .... D23/121**

[58] **Field of Search ..... D23/92, 93, 119-124; 126/92-97**

[56] **References Cited**

**FOREIGN PATENT DOCUMENTS**

- 290361 1/1969 Japan .
- 291004 2/1971 Japan .
- 378949 11/1975 Japan .

**OTHER PUBLICATIONS**

Hardware Age-Apr. 1981-p. 82-Yuasa heater J-50.  
Hardware Age-Sep. 1980-p. 75-Beacon heater.  
hardware Age-May 1980-p. 111-Corona heater.

*Primary Examiner*—Catherine E. Kemper  
*Attorney, Agent, or Firm*—Pollock, Vande Sande & Priddy

[57] **CLAIM**

The ornamental design for an oil-fired space heater, substantially as shown and described.

**DESCRIPTION**

FIG. 1 is a front elevational view of an oil-fired space heater, showing my new design;

FIG. 2 is a left side elevational view thereof;

FIG. 3 is a right side elevational view thereof;

FIG. 4 is a rear elevational view thereof; and

FIG. 5 is a top plan view thereof.

The bottom surface of the oil-fired space heater is substantially planar and unornamental.

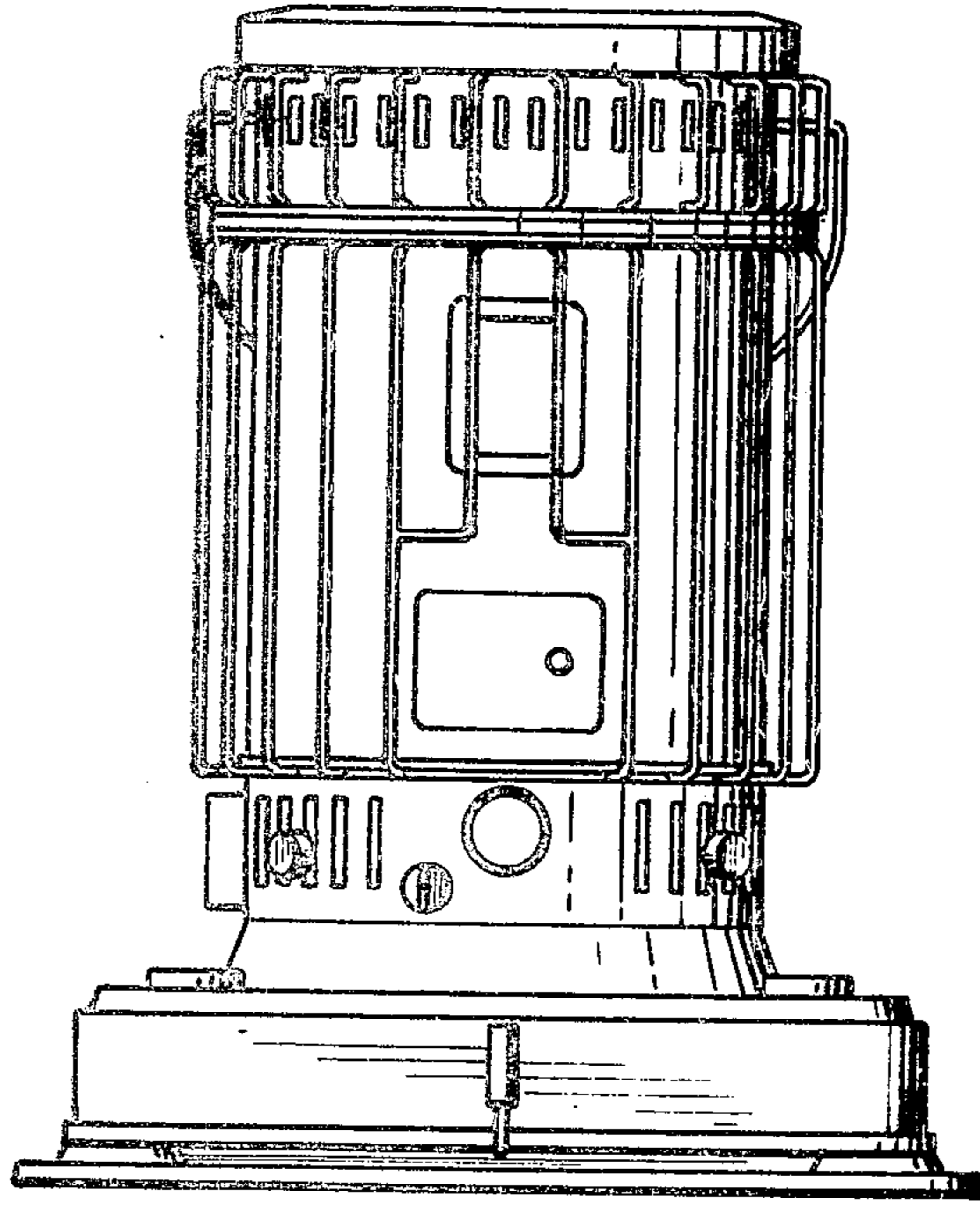


FIG. 1

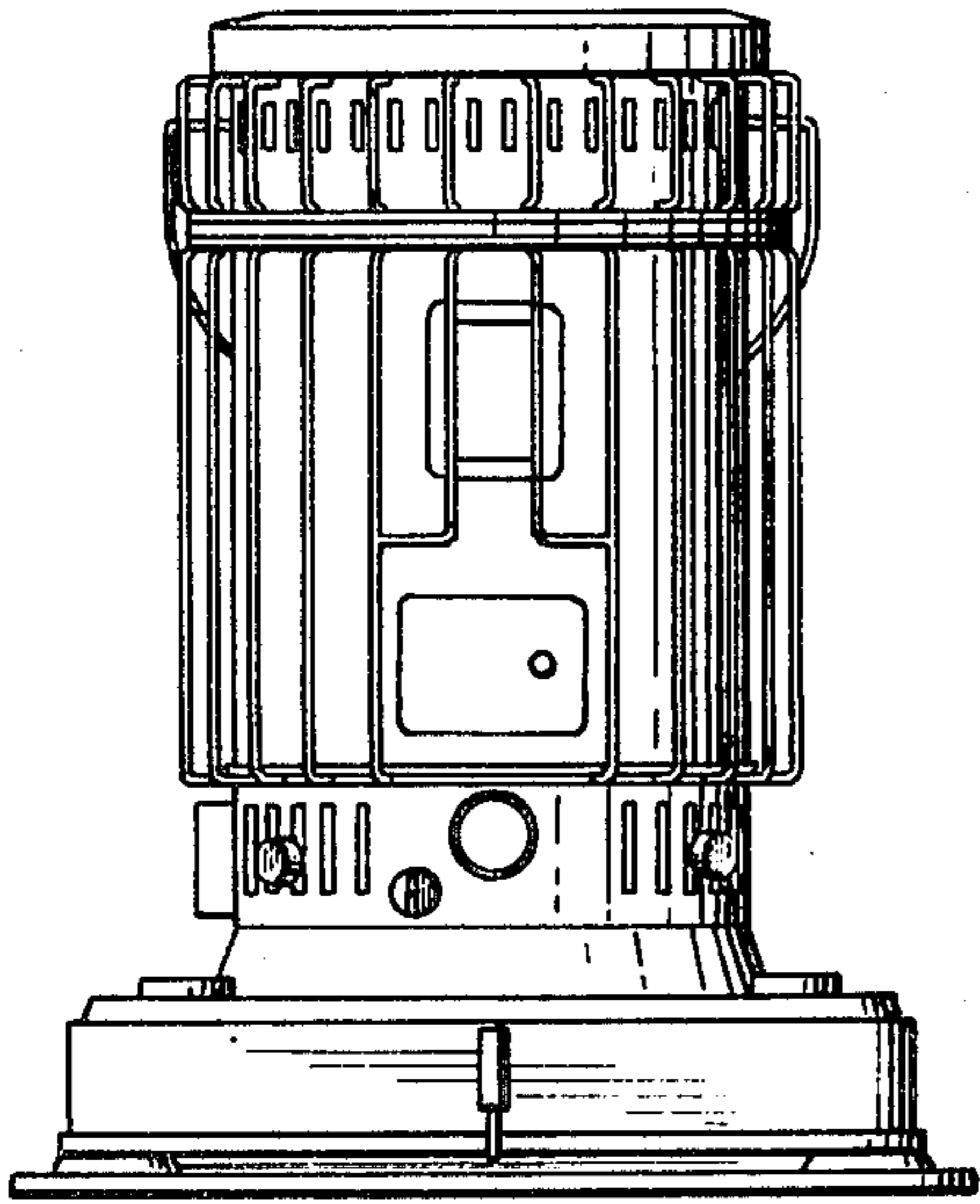


FIG. 2

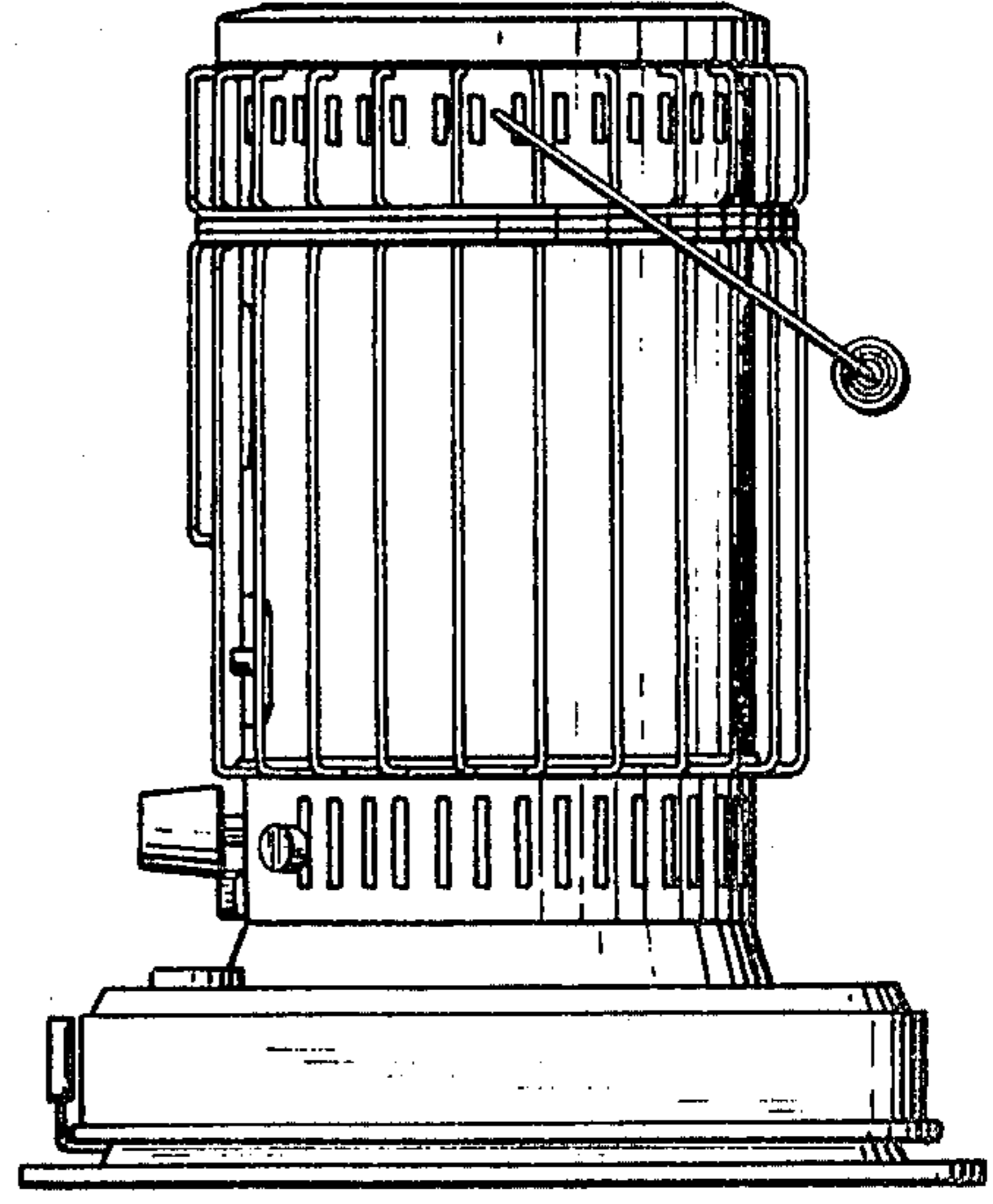


FIG. 3

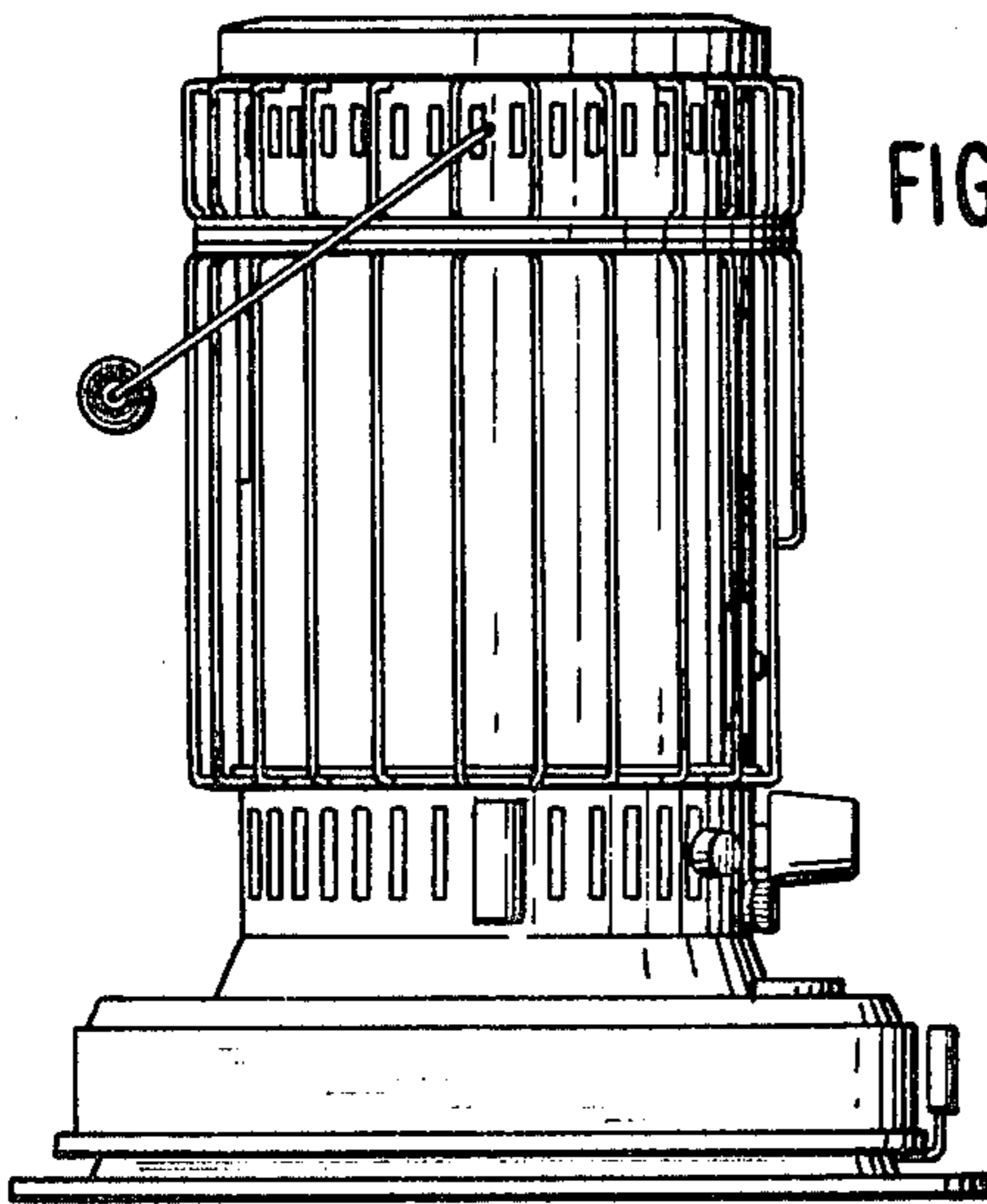


FIG. 4

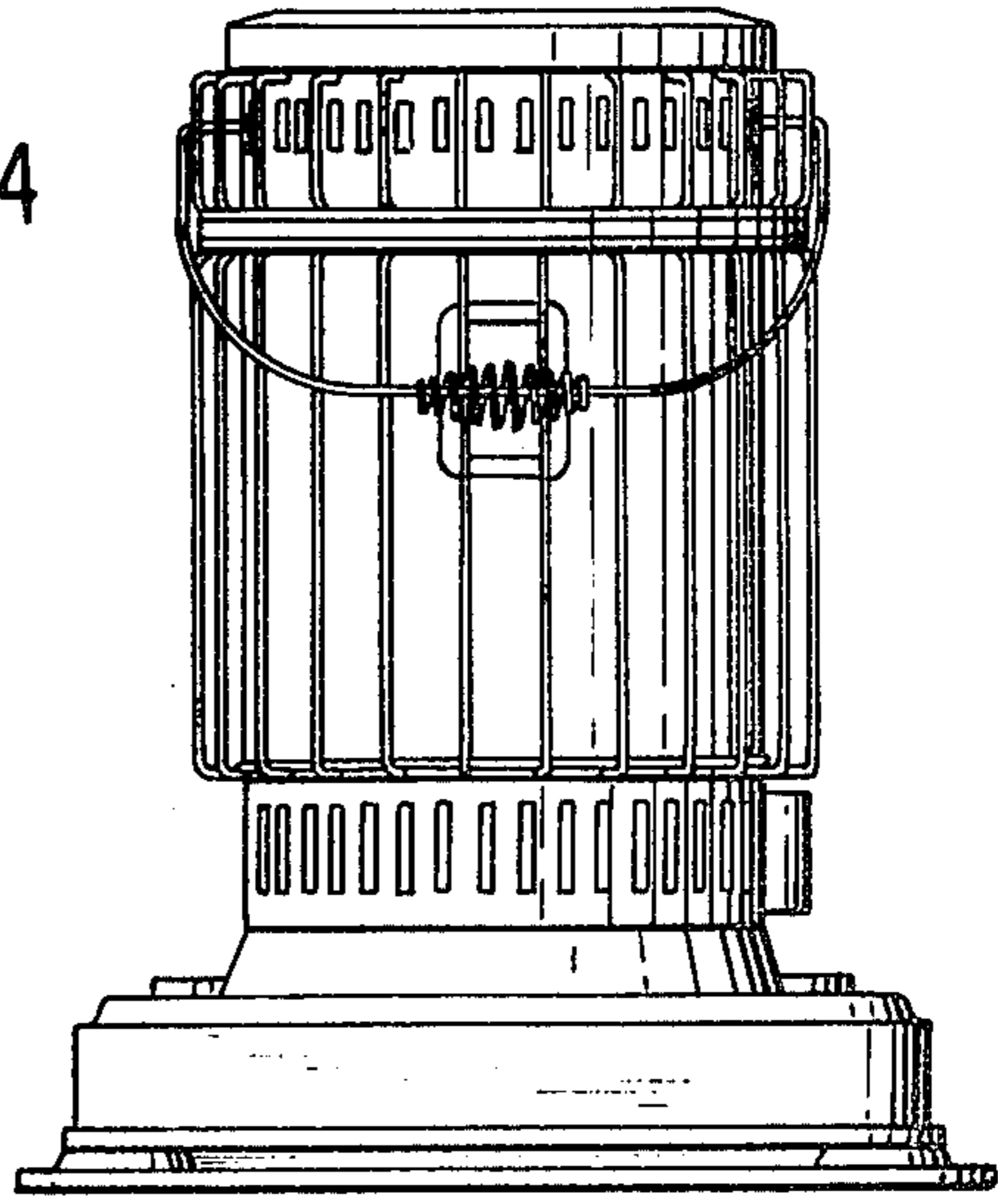


FIG. 5

