

[54] TOY VEHICLE

[75] Inventors: Peter Manning, Tiverton, England; Melvin Mednick, New City, N.Y.

[73] Assignee: LJN Toys, Ltd., New York, N.Y.

[**] Term: 14 Years

[21] Appl. No.: 411,839

[22] Filed: Aug. 26, 1982

[52] U.S. Cl. D21/140

[58] Field of Search D21/73, 76, 78, 79, D21/80, 128, 132, 134, 136, 137, 140, 139; 46/201, 210, 222, 223; D12/93, 99, 86

[56] References Cited

U.S. PATENT DOCUMENTS

- D. 220,837 6/1971 Mattson D12/86
- D. 253,193 10/1979 Pauly et al. D21/136
- D. 258,224 2/1981 Murasaki D21/137
- 4,173,095 11/1979 Pauly et al. 46/222

OTHER PUBLICATIONS

Chi Hang Toys Flier, Item #1062, "Combat Jeep". Sears Xmas Cat., 1981, p. 644, Toy vehicle at top of page.

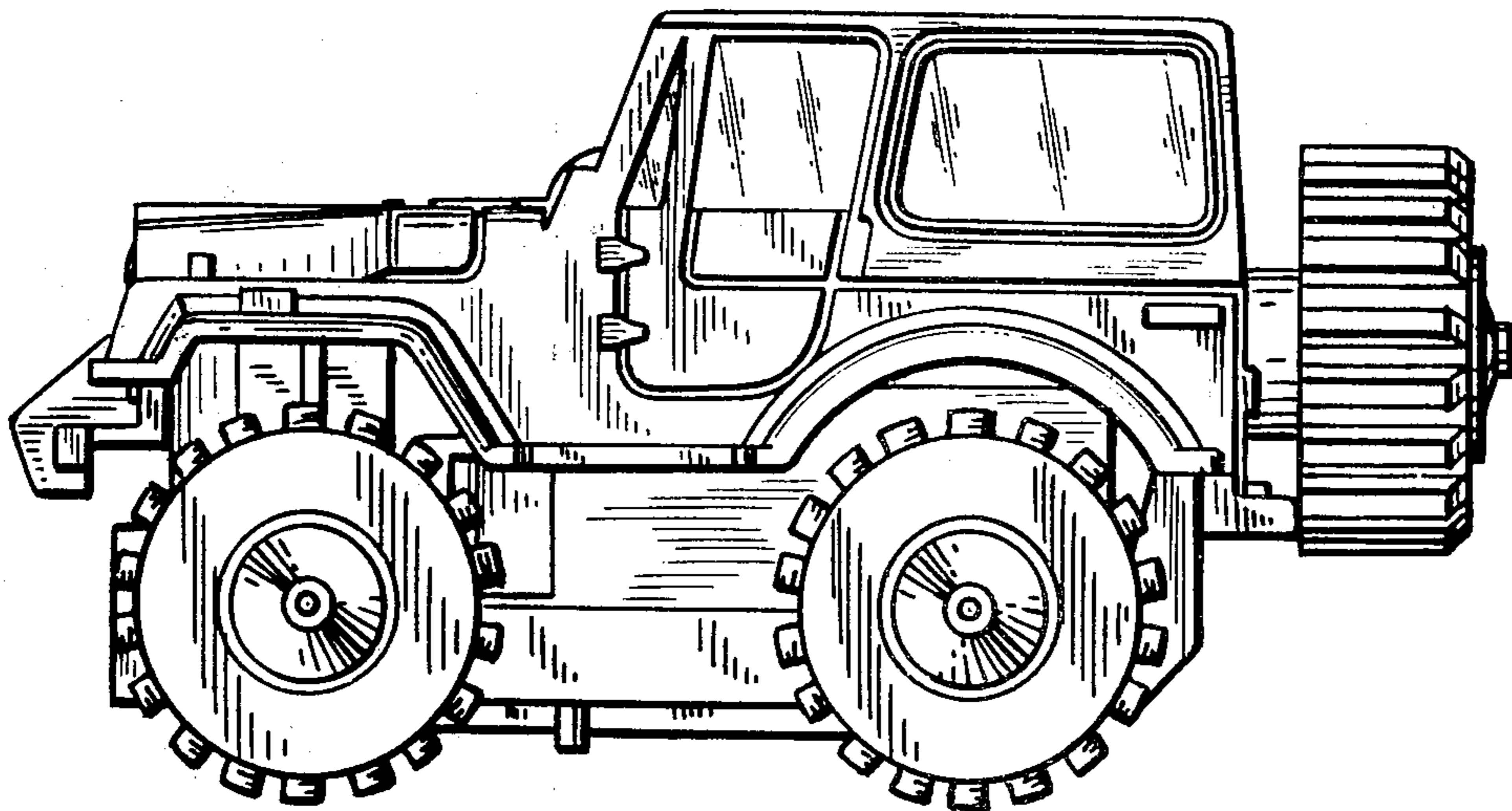
Primary Examiner—Charles A. Rademaker
Attorney, Agent, or Firm—Amster, Rothstein & Engelberg

[57] CLAIM

The ornamental design for a toy vehicle, substantially as shown and described.

DESCRIPTION

FIG. 1 is a top plan view of a toy vehicle showing our new design;
FIG. 2 is a front elevational view thereof;
FIG. 3 is a side elevational view thereof the side opposite being a mirror image;
FIG. 4 is a rear elevational view thereof; and
FIG. 5 is a bottom plan view thereof.



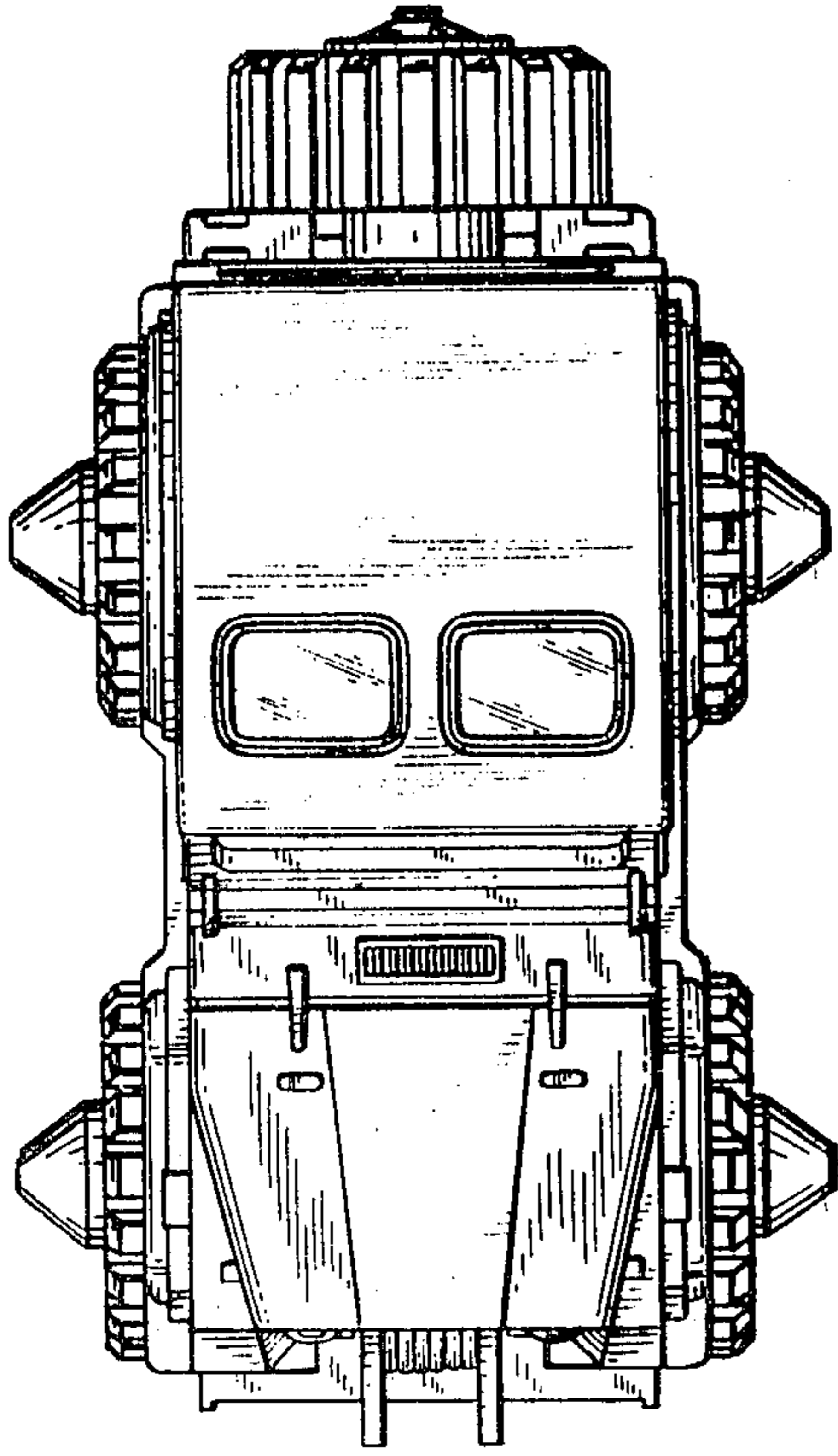


FIG. 1

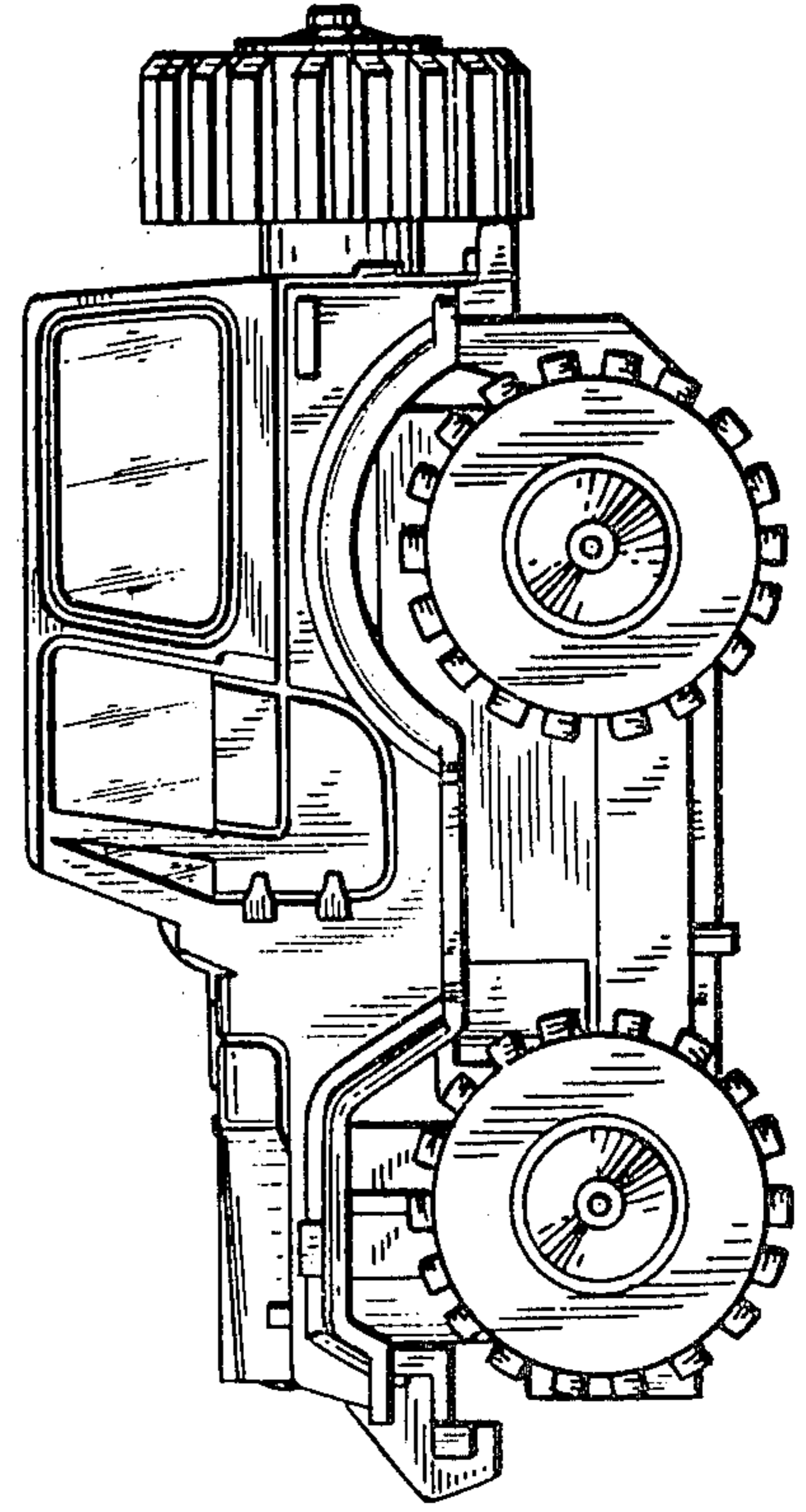


FIG. 3

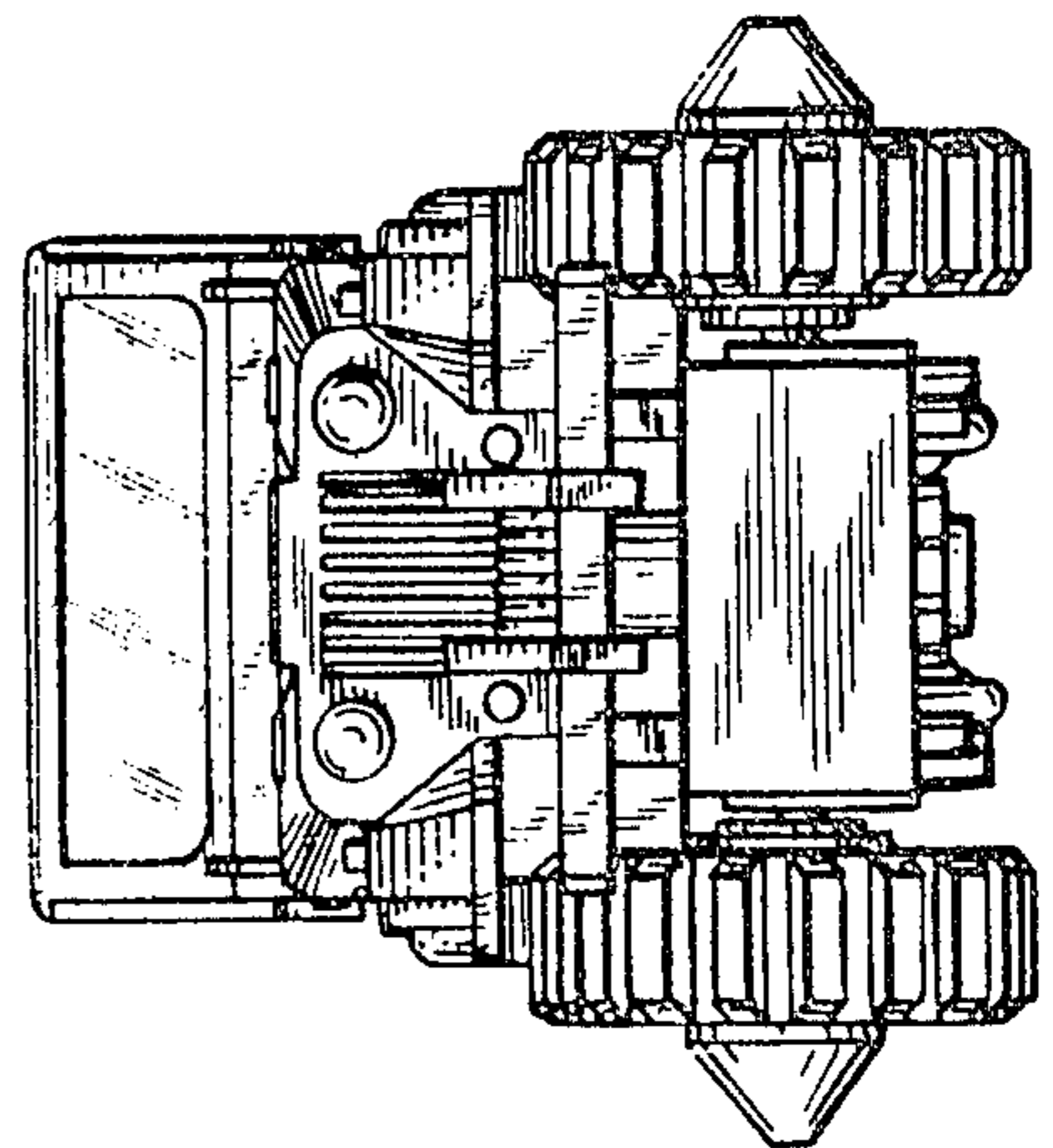


FIG. 2

FIG. 4

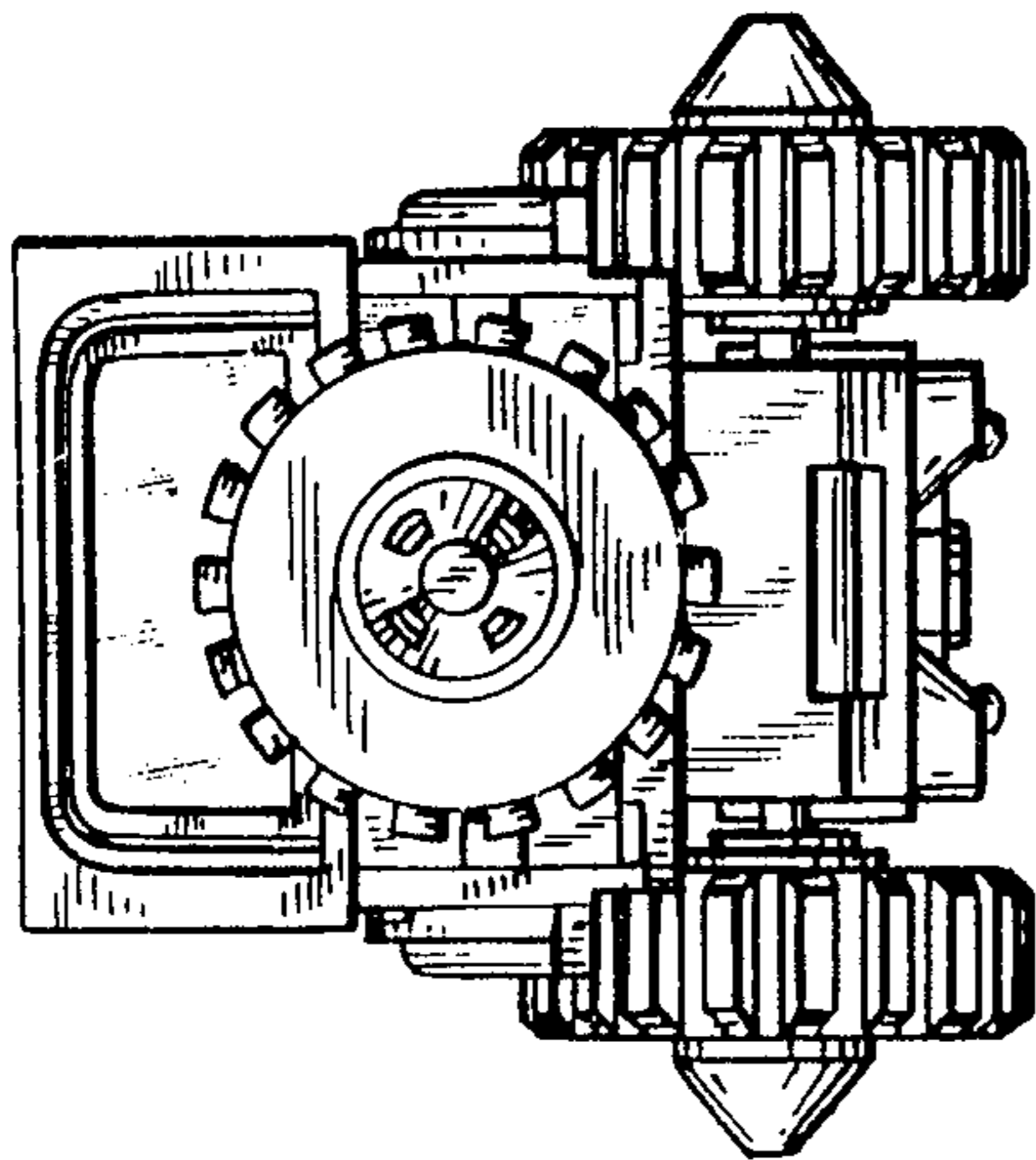


FIG. 5

