

# United States Patent [19]

Manning et al.

[11] Patent Number: **Des. 275,873**

[45] Date of Patent: **\*\* Oct. 9, 1984**

## [54] TOY VEHICLE

[75] Inventors: **Peter Manning**, Tiverton, England;  
**Melvin Mednick**, New City, N.Y.

[73] Assignee: **LJN Toys, Ltd.**, New York, N.Y.

[\*\*] Term: **14 Years**

[21] Appl. No.: **411,837**

[22] Filed: **Aug. 26, 1982**

[52] U.S. Cl. .... **D21/140**

[58] Field of Search ..... **D21/73, 76, 78, 79,**  
**D21/80, 128, 132, 134, 135, 136, 137, 146;**  
**46/201, 210, 222, 223; D12/93, 99, 86**

## [56] References Cited

### U.S. PATENT DOCUMENTS

D. 253,193 10/1979 Pauly et al. .... **D21/136**

## OTHER PUBLICATIONS

Chi Hang Toys Flier, #1062 T.V. Combat Jeep.  
Sears Xmas Catalog, 1981, p. 626, Item #3, "Pick-Up"  
Vehicle.

Sears Wish Book, 1980, p. 640, Toy Vehicle.

*Primary Examiner*—Charles A. Rademaker  
*Attorney, Agent, or Firm*—Amster, Rothstein &  
Engelberg

## [57] CLAIM

The ornamental design for a toy vehicle, substantially as shown and described.

## DESCRIPTION

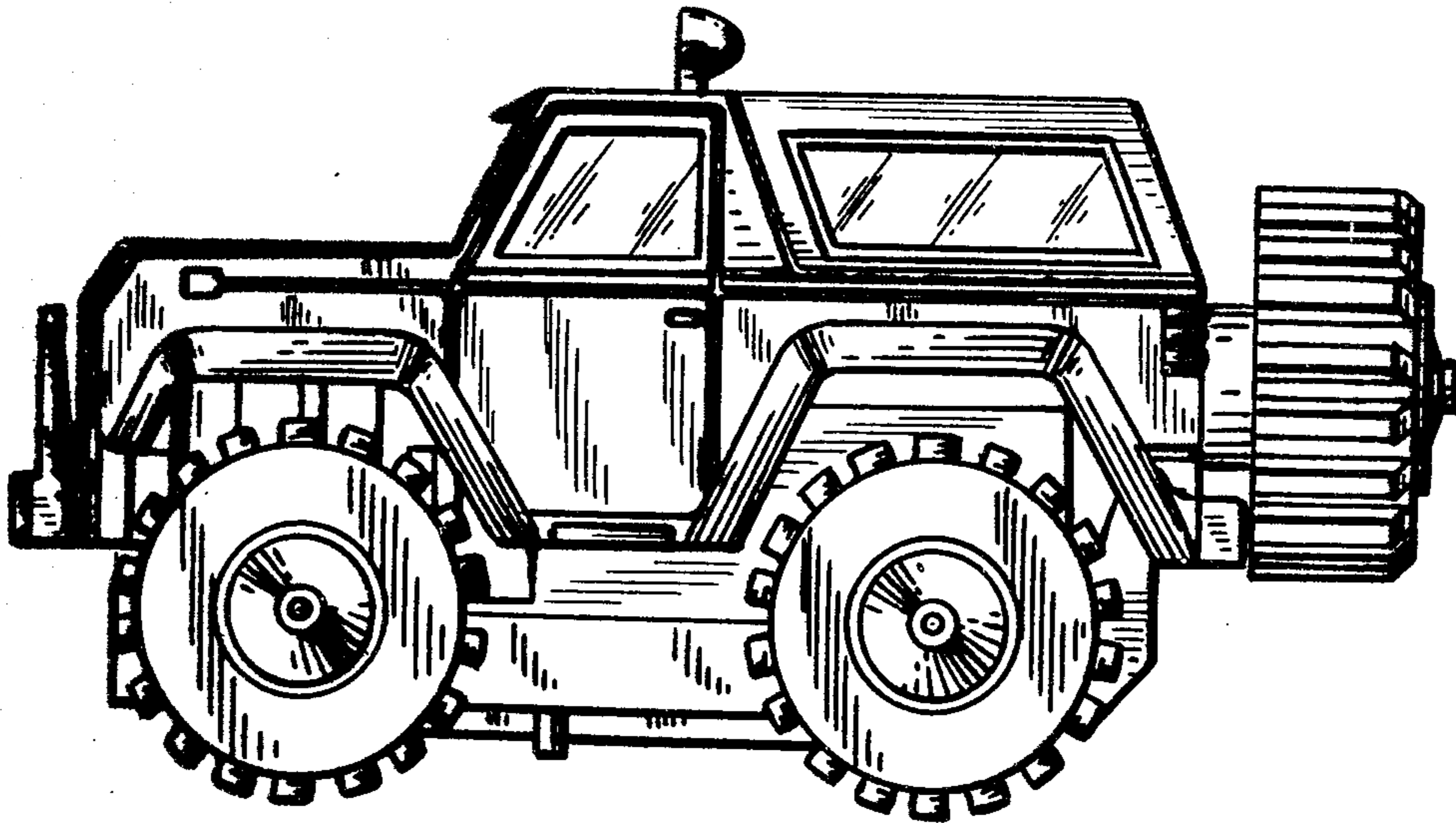
FIG. 1 is a top plan view of a toy vehicle showing our new design;

FIG. 2 is a front elevational view thereof;

FIG. 3 is a side elevational view thereof the side opposite being a mirror image;

FIG. 4 is a rear elevational view thereof; and

FIG. 5 is a bottom plan view thereof.



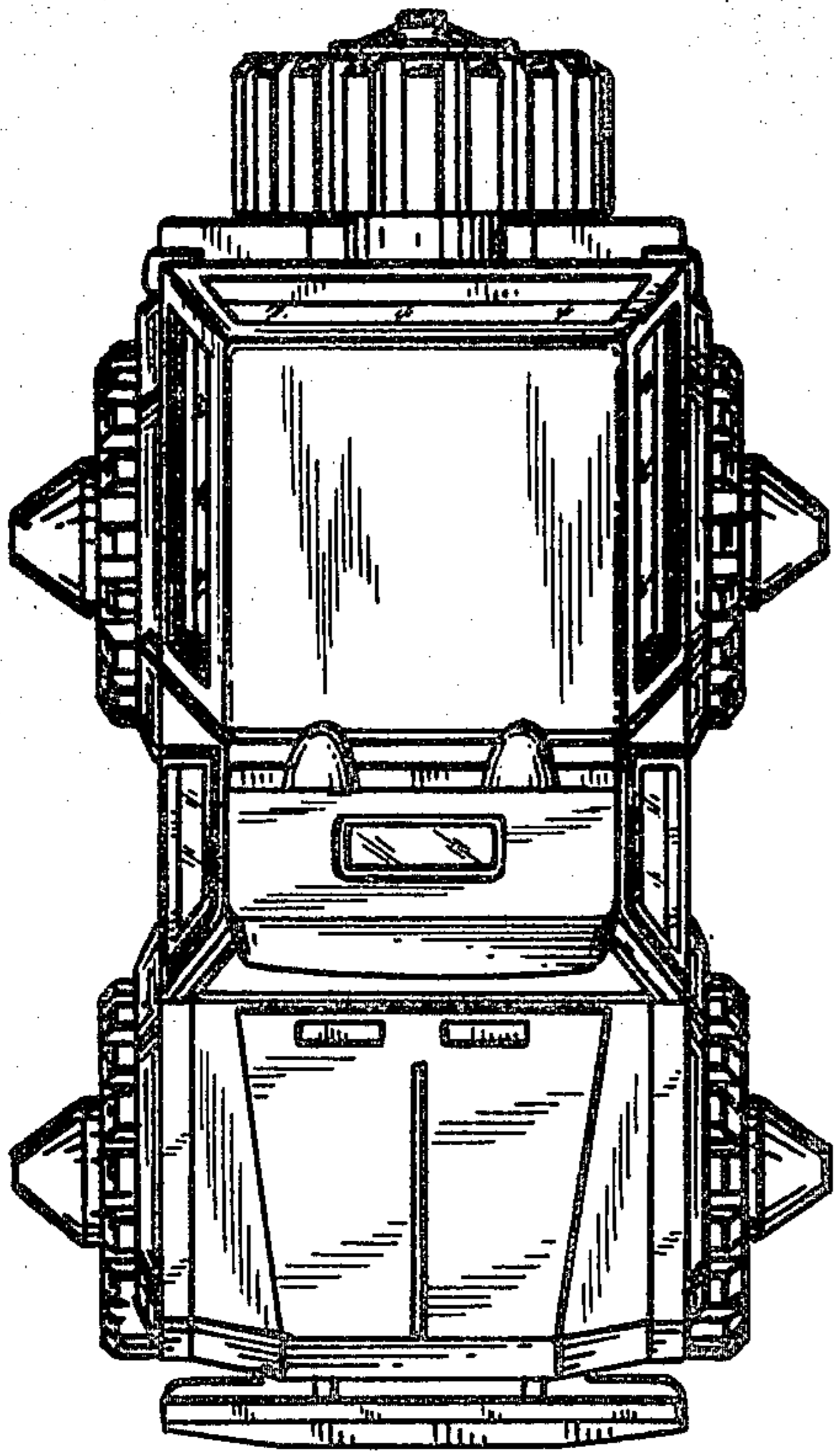


FIG. 1

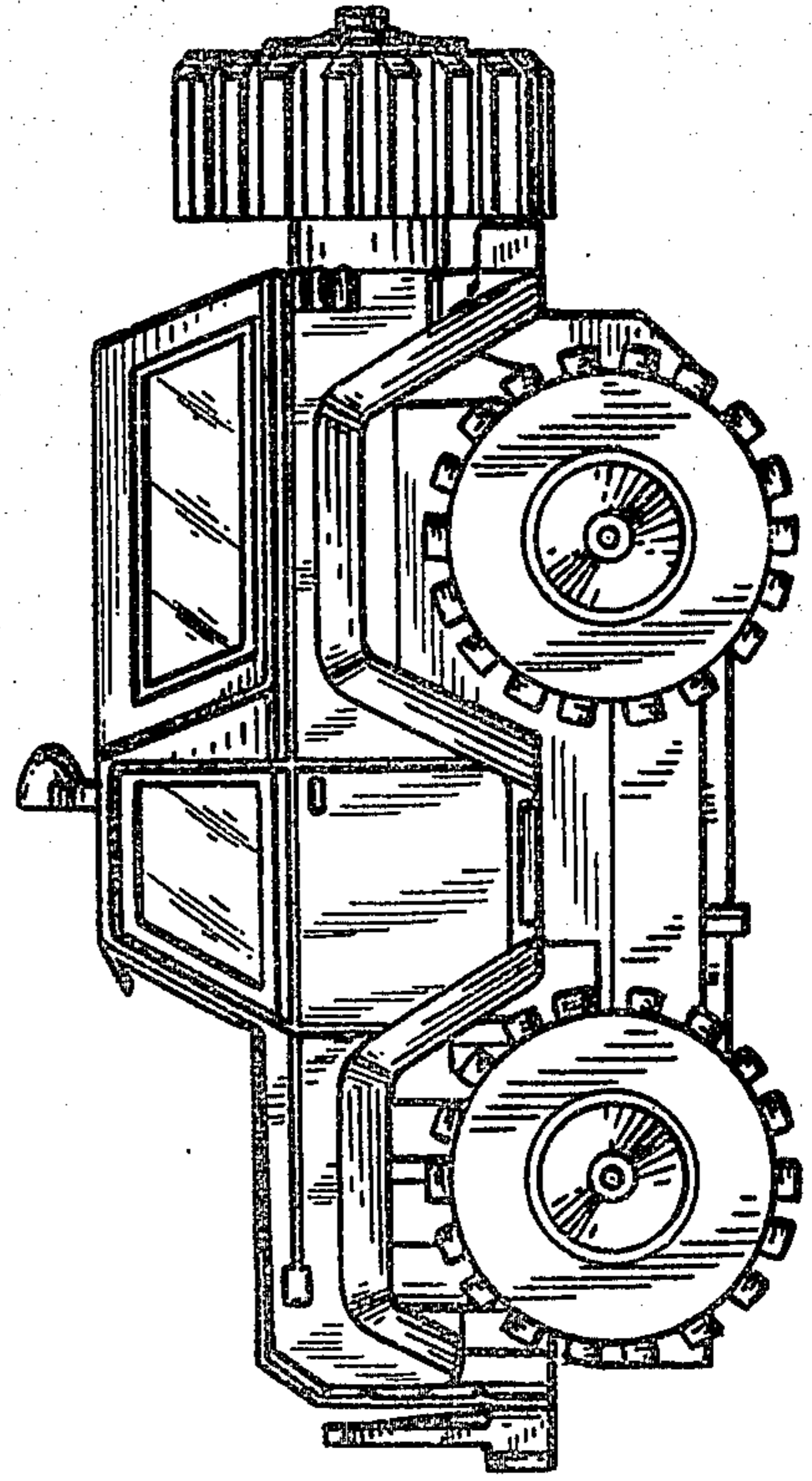


FIG. 3

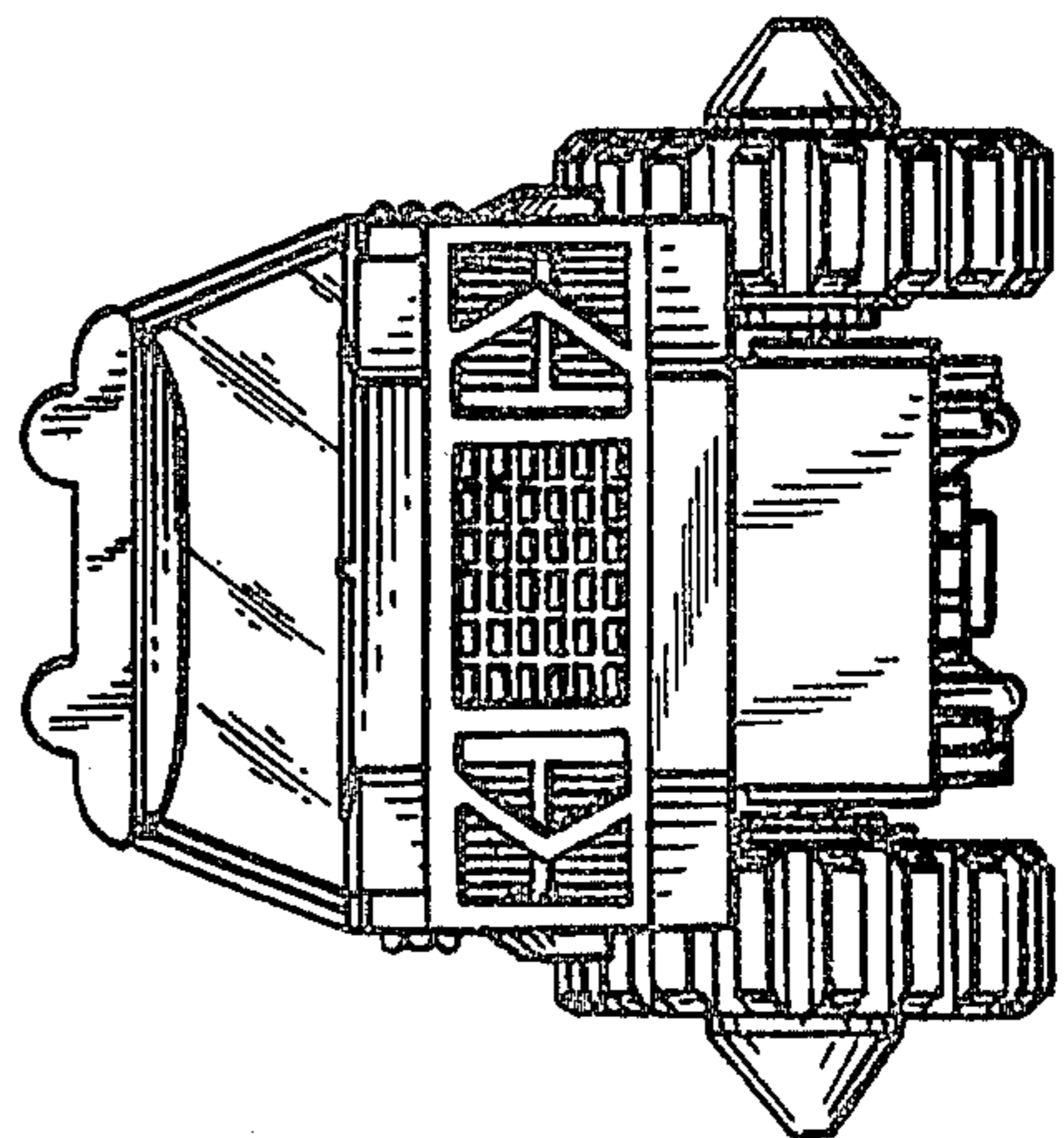


FIG. 2

FIG. 4

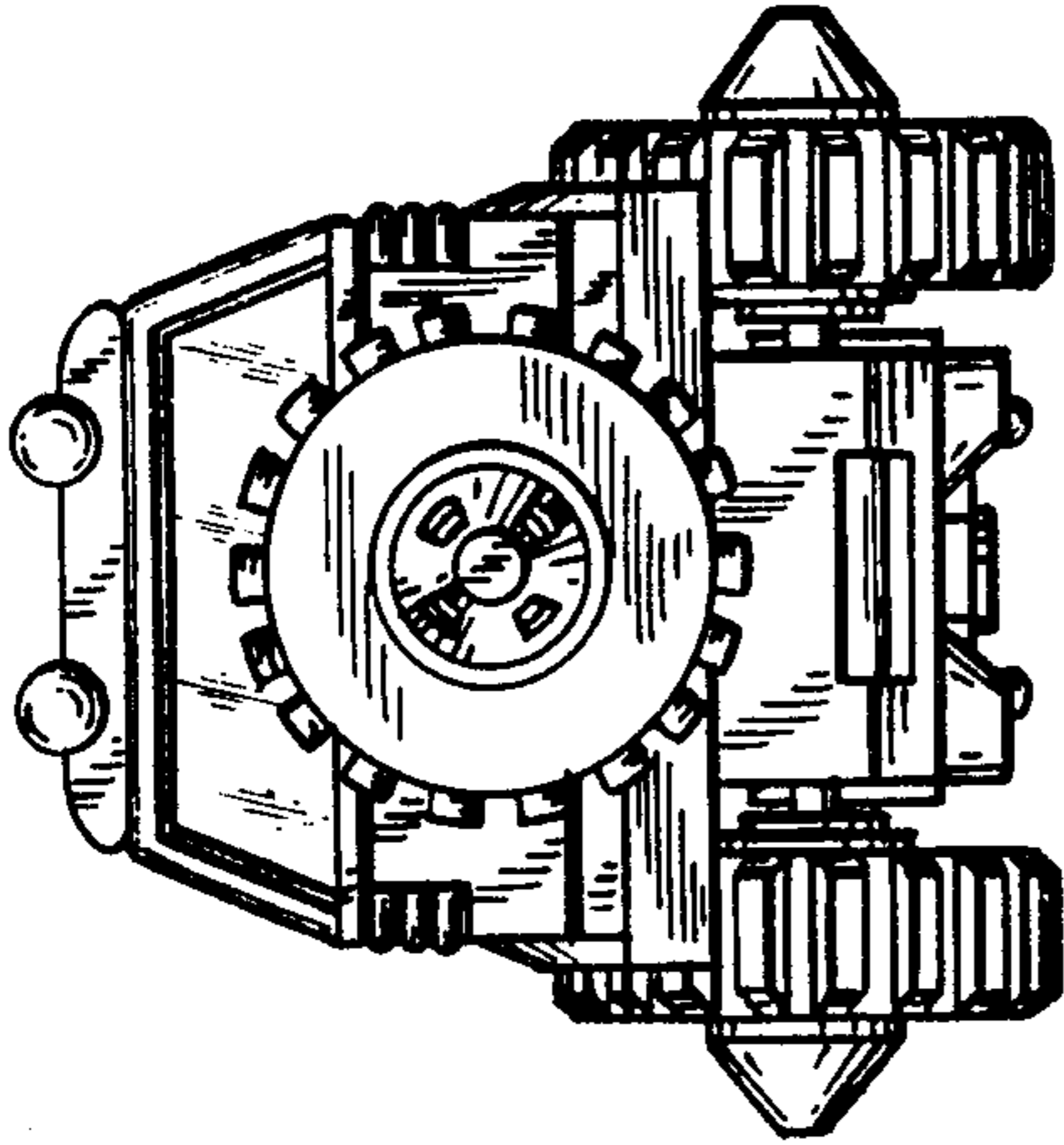


FIG. 5

