

[54] TOY VEHICLE

[75] Inventors: Manning Peter, Tiverton, England; Melvin Mednick, New City, N.Y.

[73] Assignee: LJM Toys, Ltd., New York, N.Y.

[\*\*] Term: 14 Years

[21] Appl. No.: 411,838

[22] Filed: Aug. 26, 1982

[52] U.S. Cl. .... D21/134

[58] Field of Search ..... D21/73, 76, 78, 79, D21/80, 128, 132, 134, 135, 136, 137, 140; 46/201, 210, 222, 223; D12/93, 99, 86

[56] References Cited

U.S. PATENT DOCUMENTS

D. 253,193 10/1979 Pauly et al. .... D21/136

OTHER PUBLICATIONS

Sears Xmas Catalog, 1981, p. 626, Item #3 "Pick-Up" Vehicle.

Sears Xmas Catalog, 1981, p. 626, Item #1, "Off-Road Buggy".

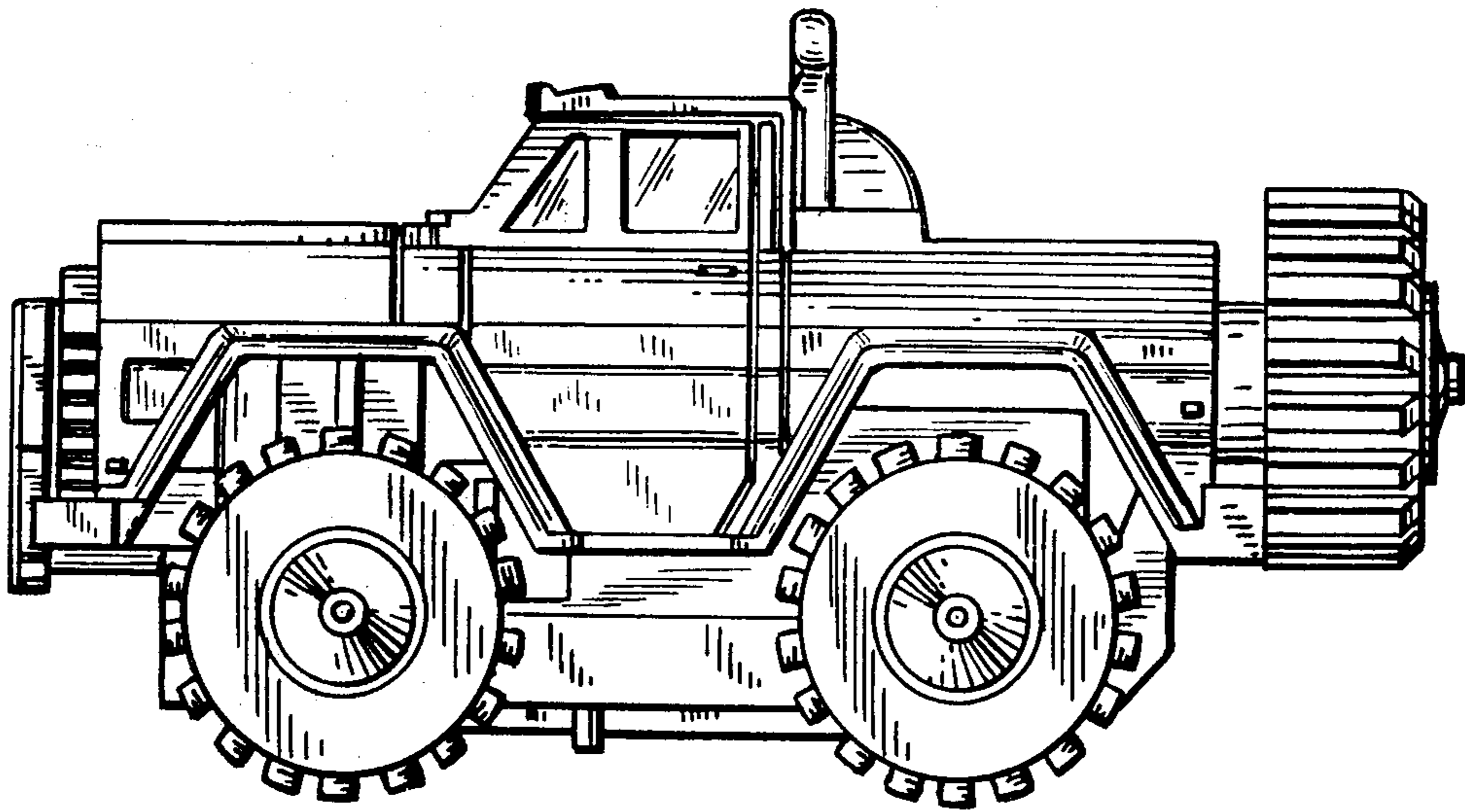
Primary Examiner—Charles A. Rademaker  
Attorney, Agent, or Firm—Amster, Rothstein & Engelberg

CLAIM

The ornamental design for a toy vehicle, substantially as shown and described.

DESCRIPTION

FIG. 1 is a top plan view of a toy vehicle showing our new design;  
FIG. 2 is a front elevational view thereof;  
FIG. 3 is a side elevational view thereof the side opposite being a mirror image;  
FIG. 4 is a rear elevational view thereof; and  
FIG. 5 is a bottom plan view thereof.



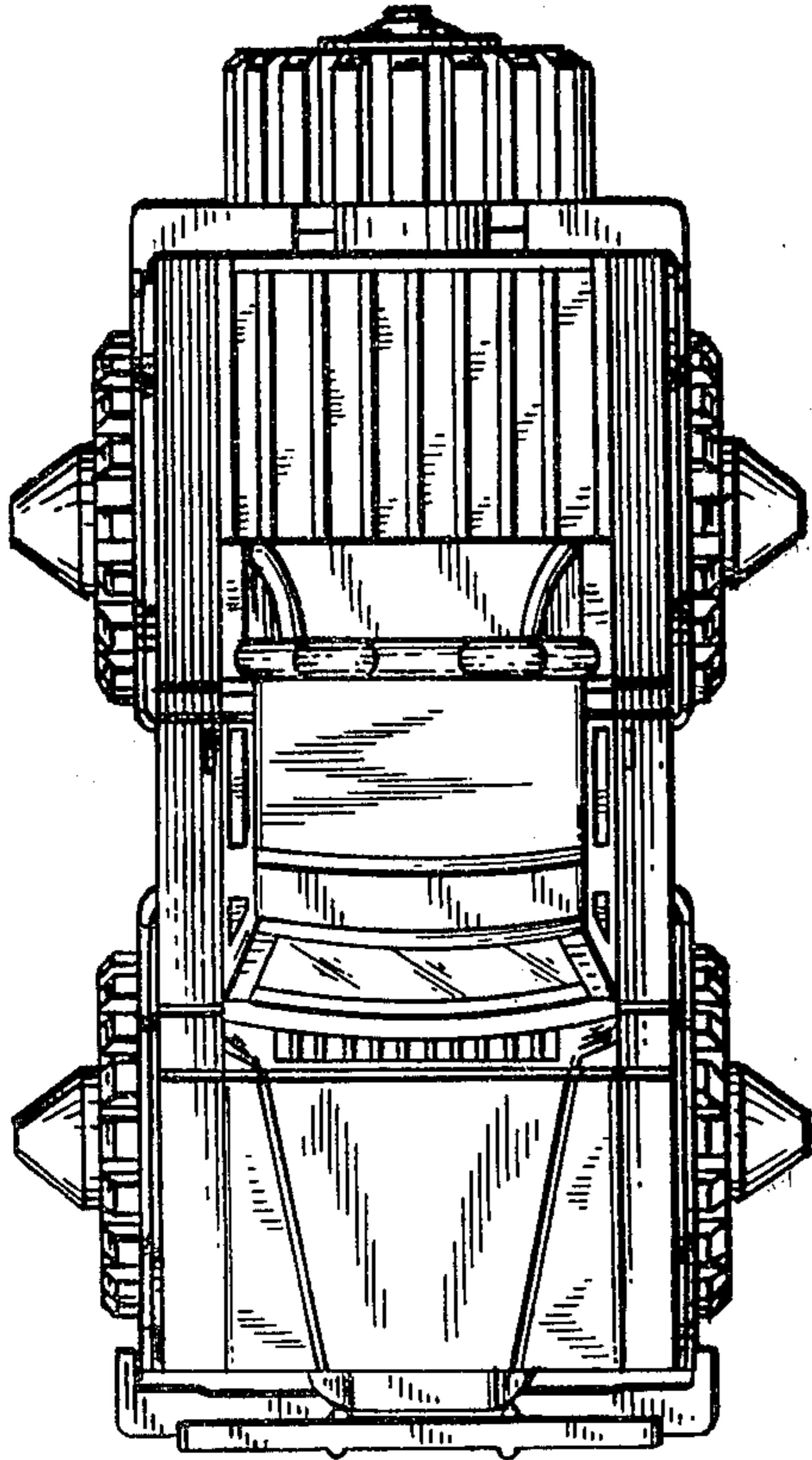


FIG. 1

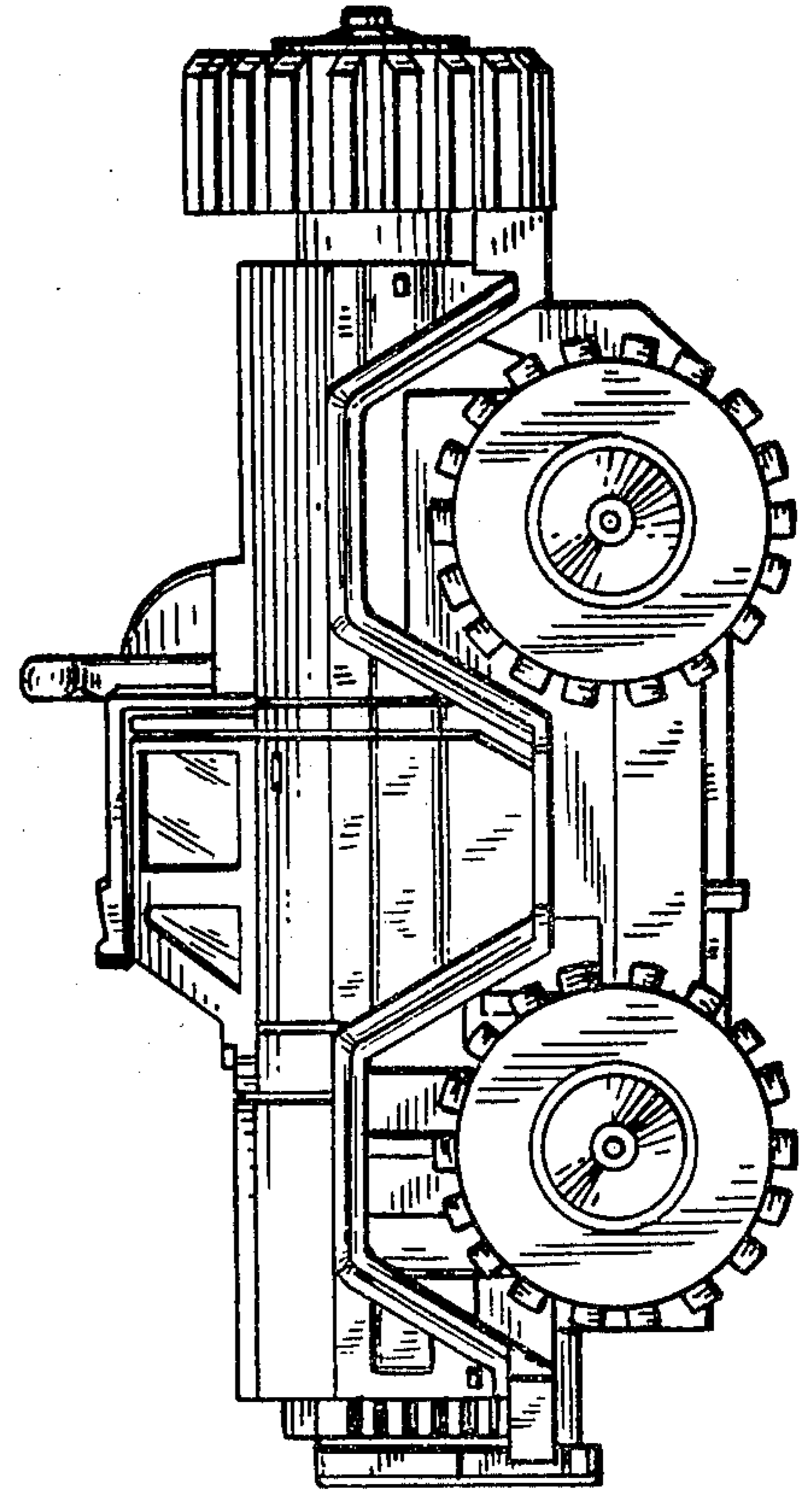


FIG. 3

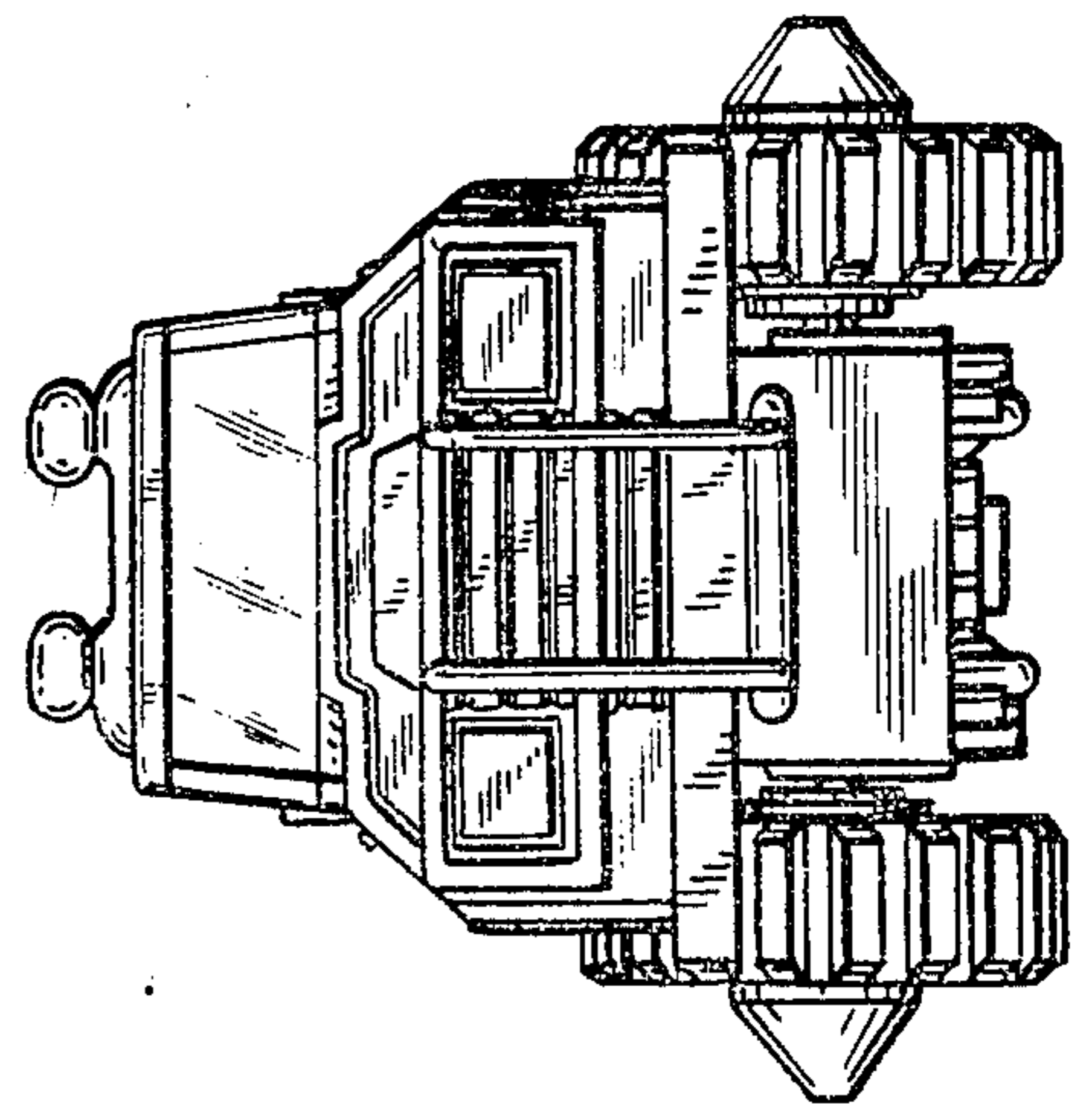


FIG. 2

FIG. 4

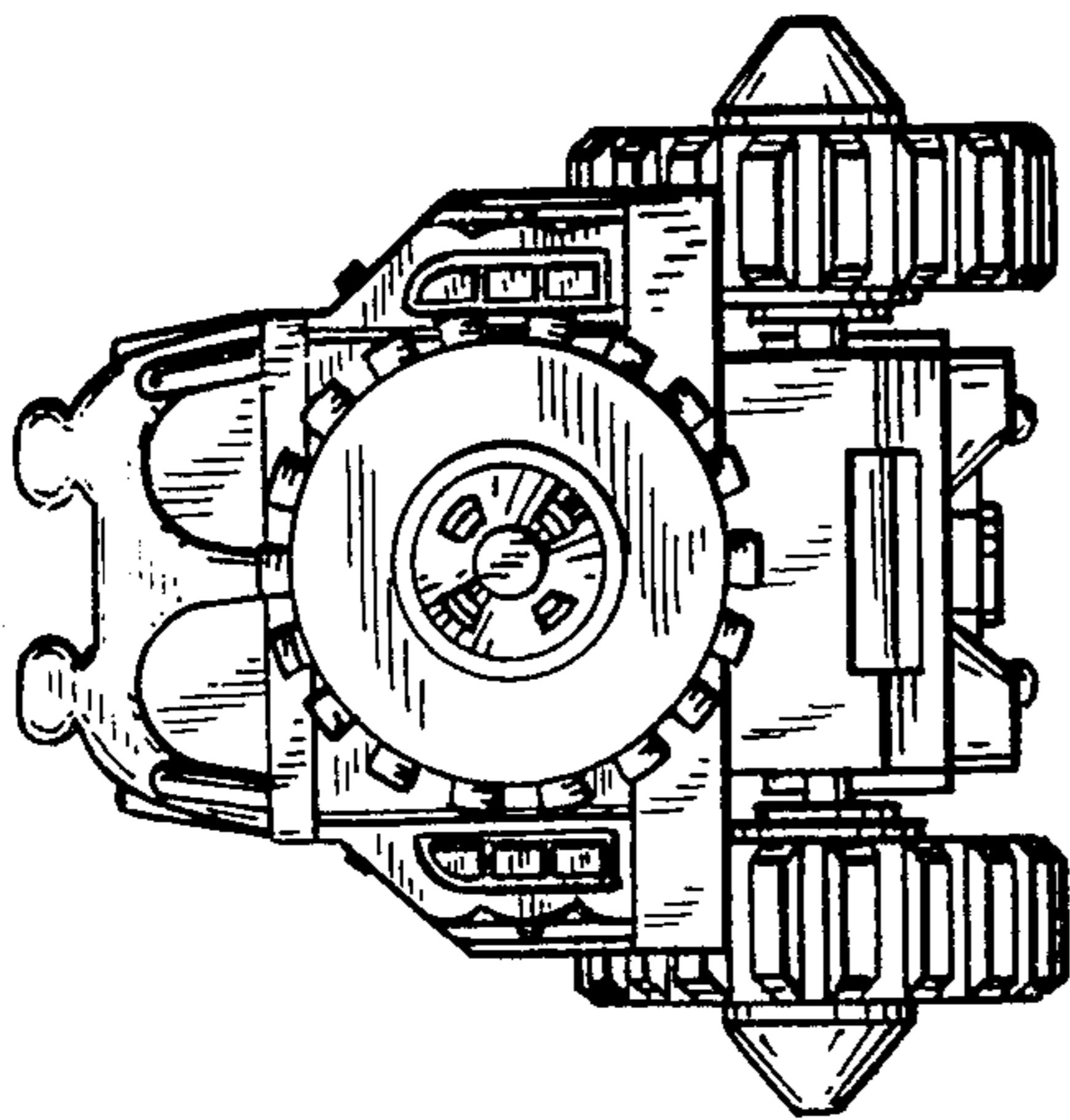


FIG. 5

