

[54] **MOUNTING DEVICE**

[76] **Inventor: John C. Ake, Mountainside,
Helmdon Rd., Greatworth, Banbury,
Oxfordshire, England**

[**] **Term: 14 Years**

[21] **Appl. No.: 266,163**

[22] **Filed: May 22, 1981**

[30] **Foreign Application Priority Data**

Nov. 25, 1980 [GB] United Kingdom 997742

[52] **U.S. Cl.** **D20/43; D8/367;
D8/373**

[58] **Field of Search** **D8/373, 367, 349, 354;
40/594, 617; 248/317, 339, 340, 341, 342, 343,
359, 304; D20/43**

[56] **References Cited**

U.S. PATENT DOCUMENTS

D42,198 2/1912 Eustis D8/367 X
860,762 7/1907 McGrady 248/339 X
3,708,897 1/1973 Adams et al. 40/617 X

FOREIGN PATENT DOCUMENTS

430331 8/1967 Switzerland 248/343

Primary Examiner—Catherine E. Kemper
Attorney, Agent, or Firm—Scrivener, Clarke, Scrivener
and Johnson

[57] **CLAIM**

The ornamental design for a mounting device, as shown.

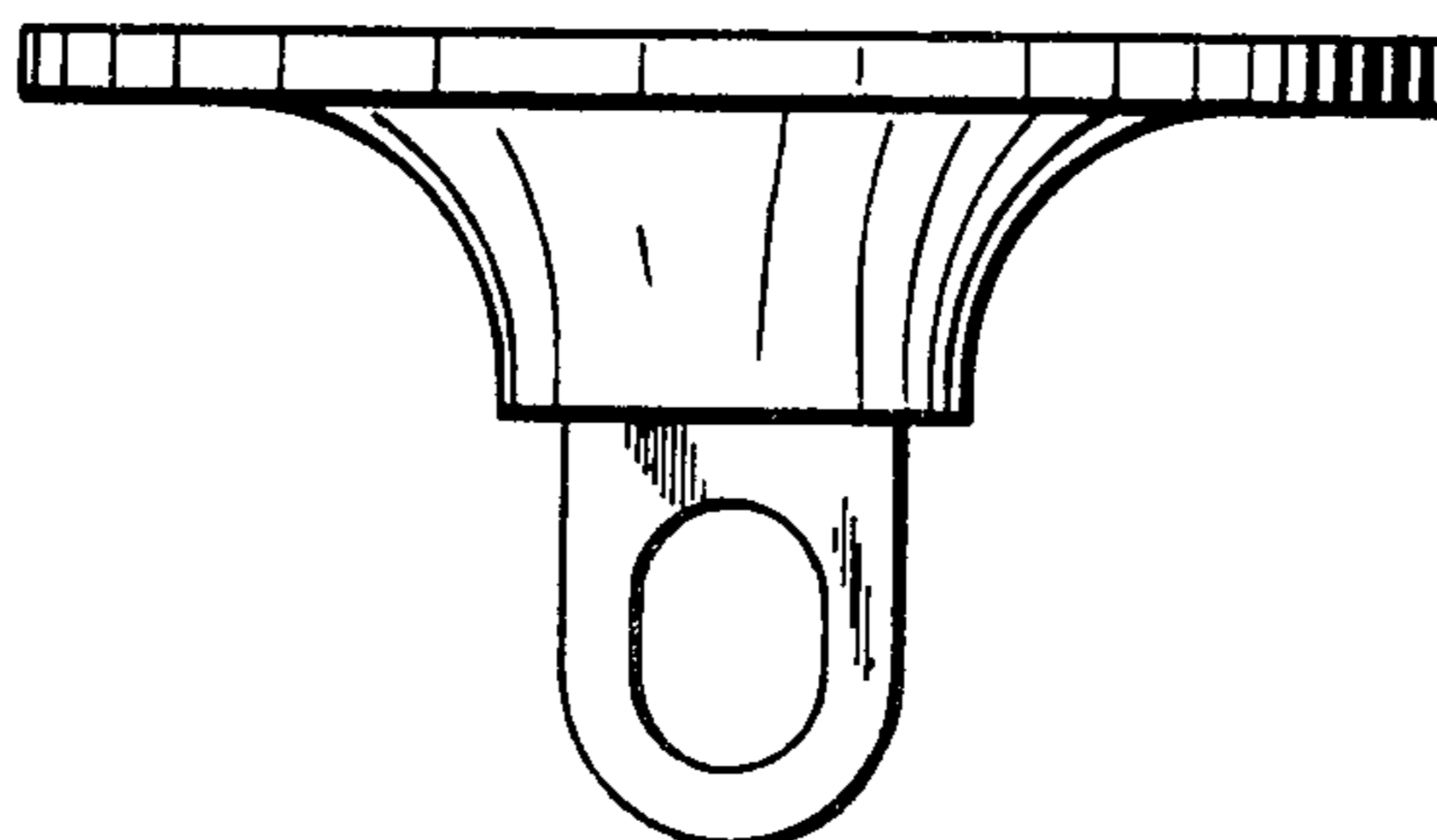
DESCRIPTION

FIG. 1 is a plan view of a mounting device showing my new design;

FIG. 2 is a bottom plan view thereof;

FIG. 3 is a side elevational view, the opposite side being identical thereto;

FIG. 4 is an elevational view looking in a direction at right angles to the view of FIG. 3.



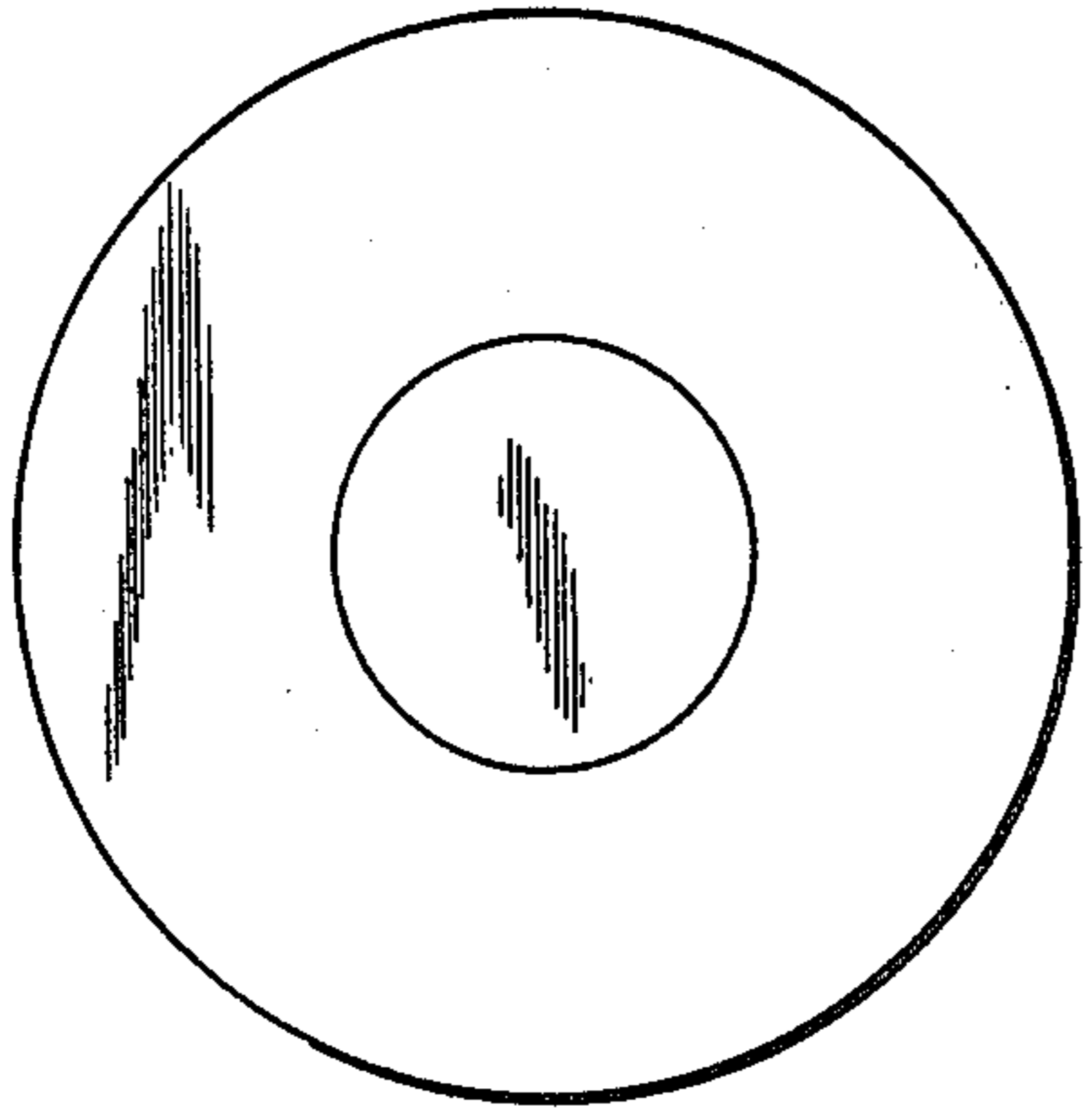


FIG. 1.

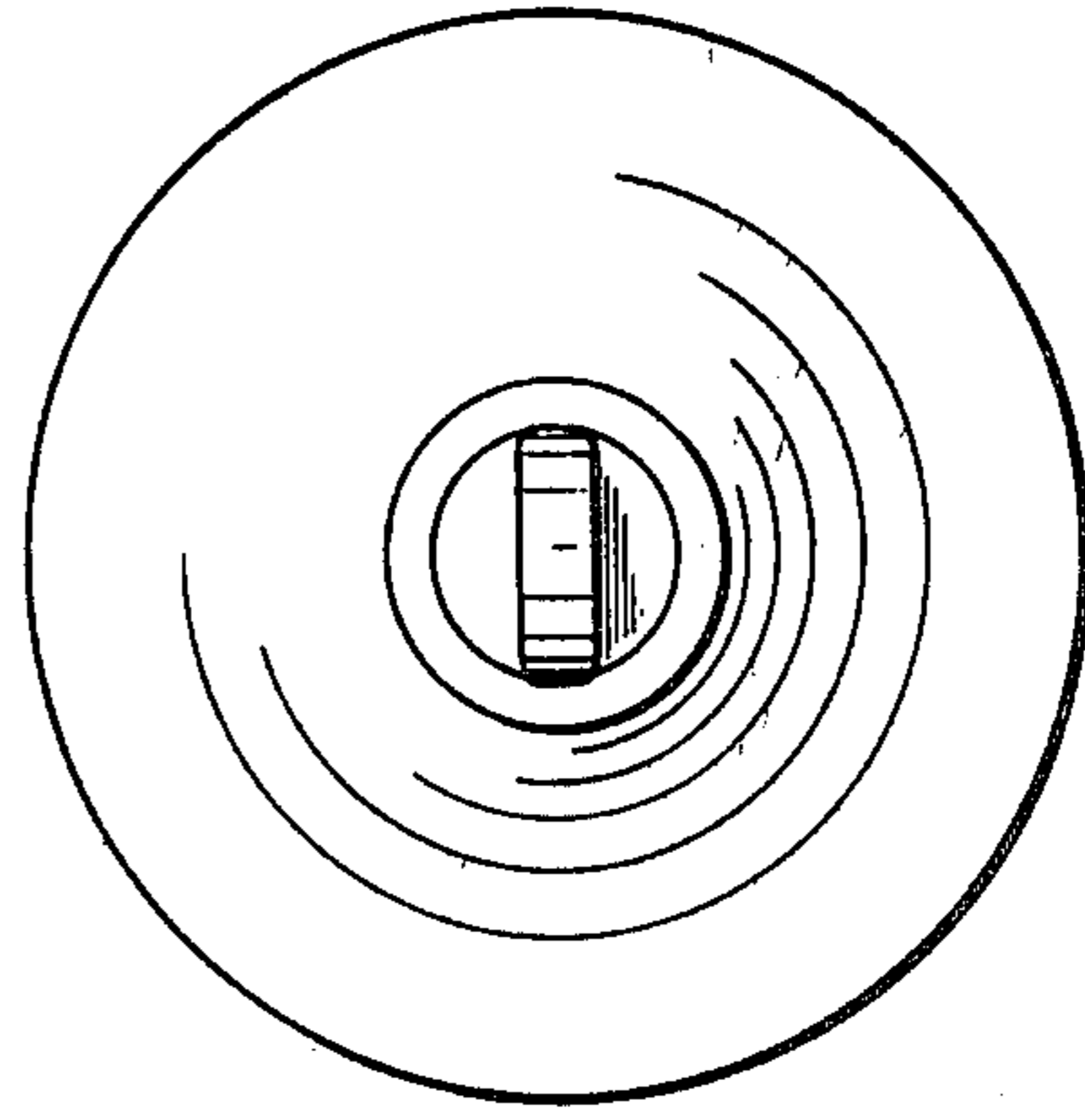


FIG. 2.

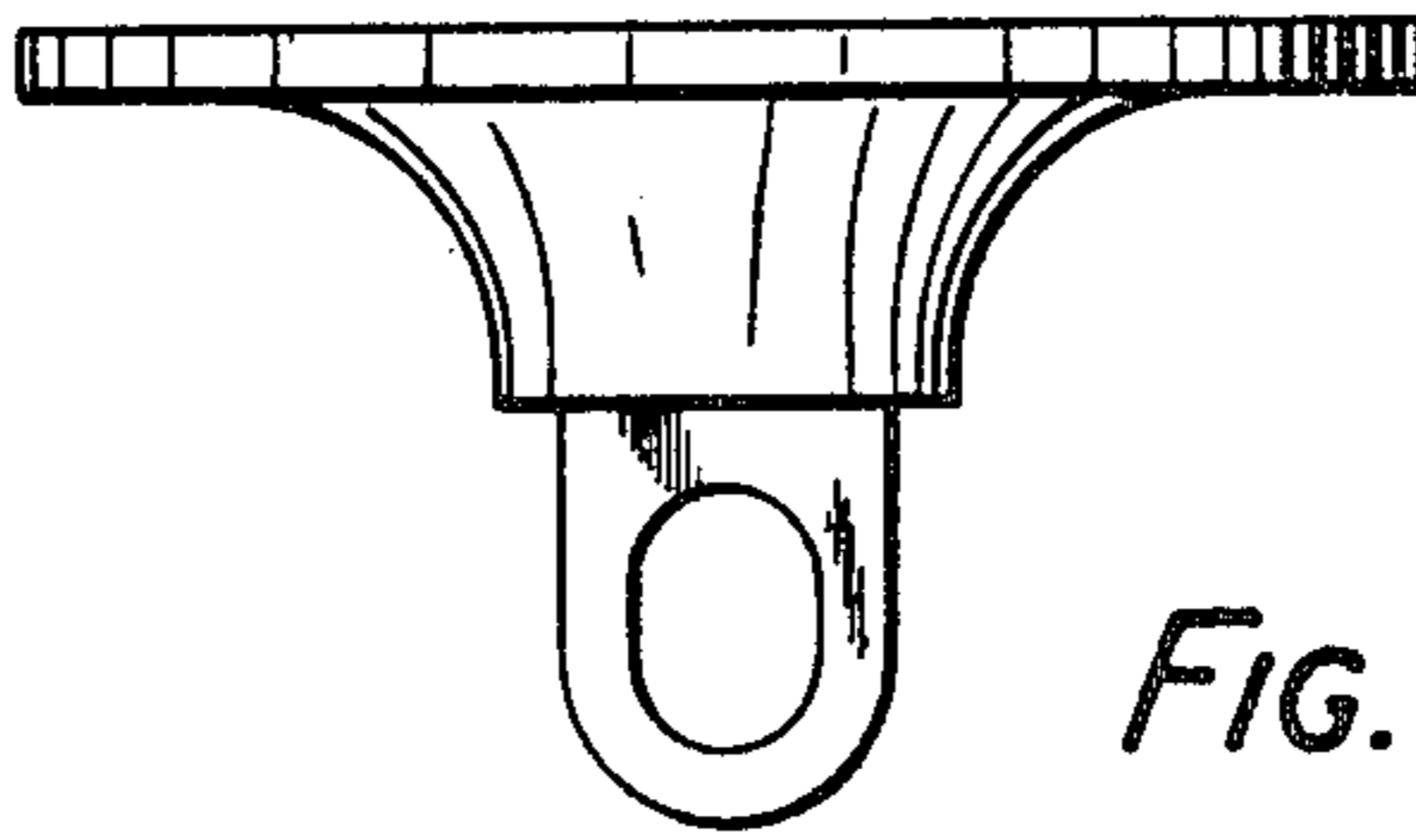


FIG. 3.

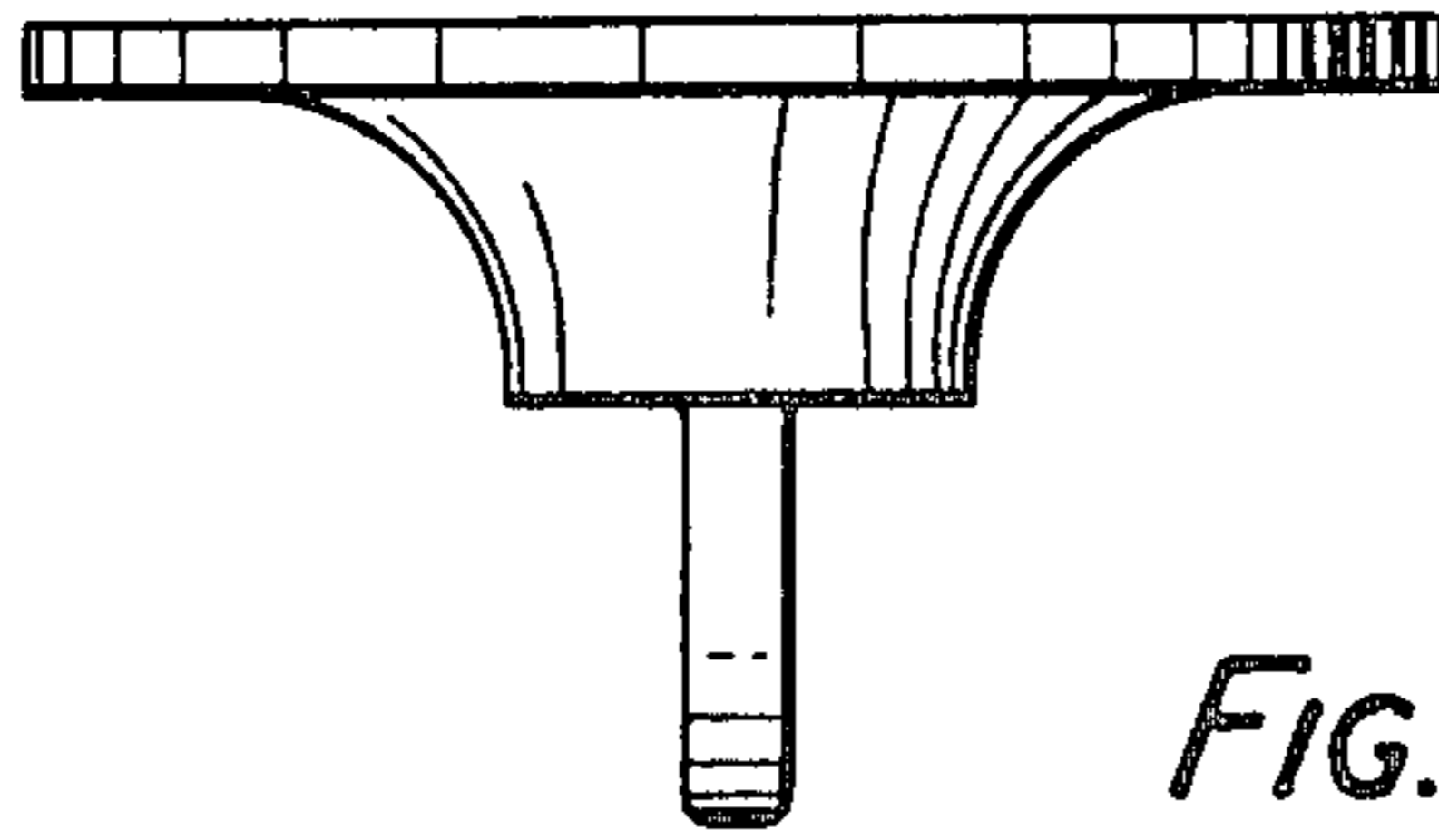


FIG. 4.