

# United States Patent [19]

Schembre

[11] Patent Number: **Des. 275,866**

[45] Date of Patent: **\*\* Oct. 9, 1984**

[54] **STACKABLE DESK TRAY**

[76] Inventor: **Salvatore L. Schembre**, 2 Valleyview Rd., Lincoln, R.I. 02865

[\*\*] Term: **14 Years**

[21] Appl. No.: **372,224**

[22] Filed: **Apr. 26, 1982**

[52] U.S. Cl. .... **D19/92**

[58] Field of Search ..... **D19/90-92,**  
**D19/75; D34/40-42; 206/503; 211/126, 10, 11**

[56] **References Cited**

**U.S. PATENT DOCUMENTS**

D. 220,014 2/1971 Rome ..... D19/92  
D. 269,017 5/1983 Martin ..... D19/92  
3,648,849 3/1972 Harris et al. .... D19/92

4,074,810 2/1978 Suergens et al. .... D19/92  
4,253,402 3/1981 Carrig et al. .... D19/92

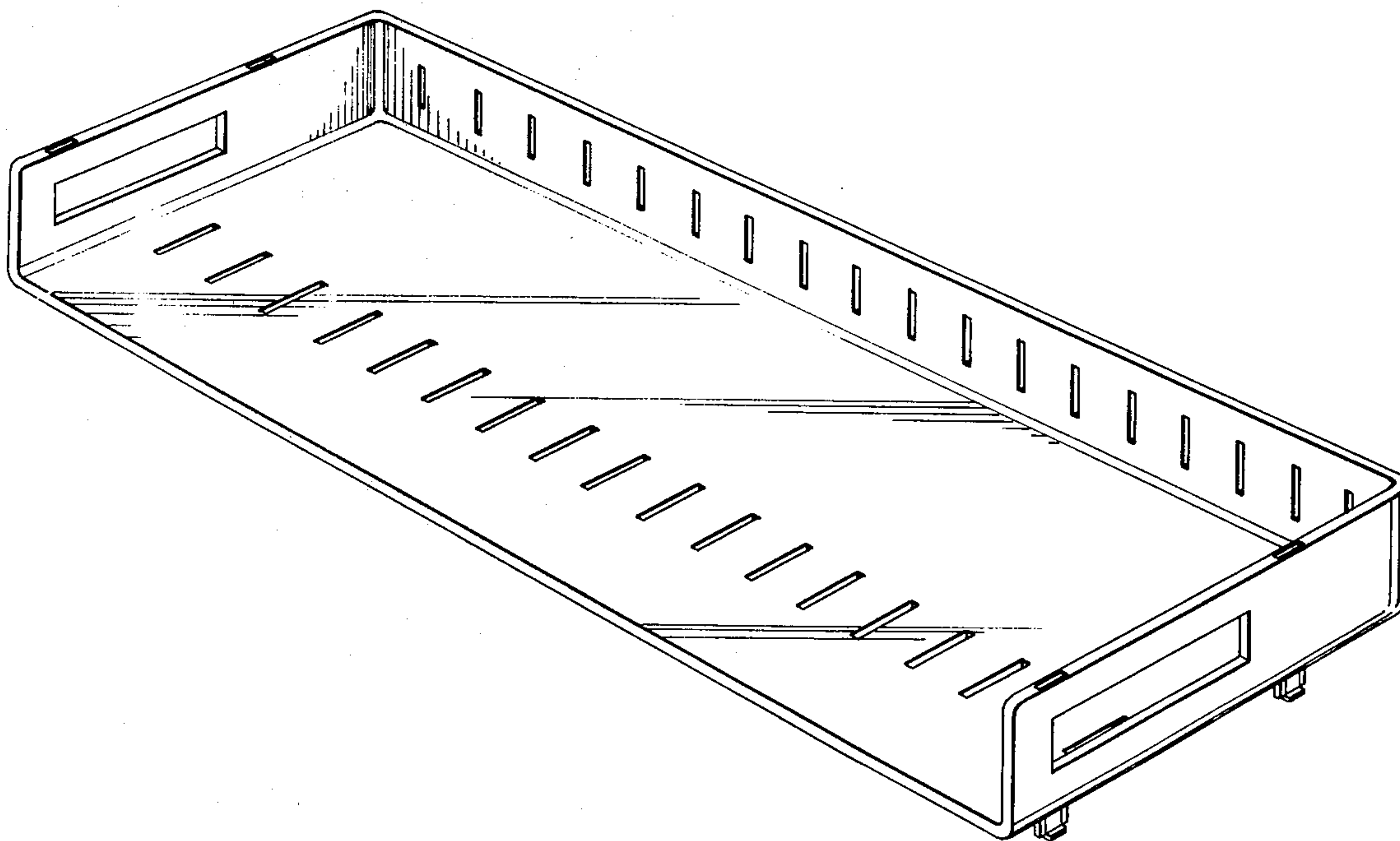
*Primary Examiner*—George P. Word  
*Attorney, Agent, or Firm*—Salter & Michaelson

[57] **CLAIM**

The ornamental design for a stackable desk tray, substantially as shown.

**DESCRIPTION**

FIG. 1 is a perspective view of a stackable desk tray showing my new design;  
FIG. 2 is a top plan view thereof;  
FIG. 3 is a front elevational view thereof;  
FIG. 4 is a bottom plan view thereof;  
FIG. 5 is a rear elevational view thereof; and  
FIG. 6 is an end elevational view thereof.



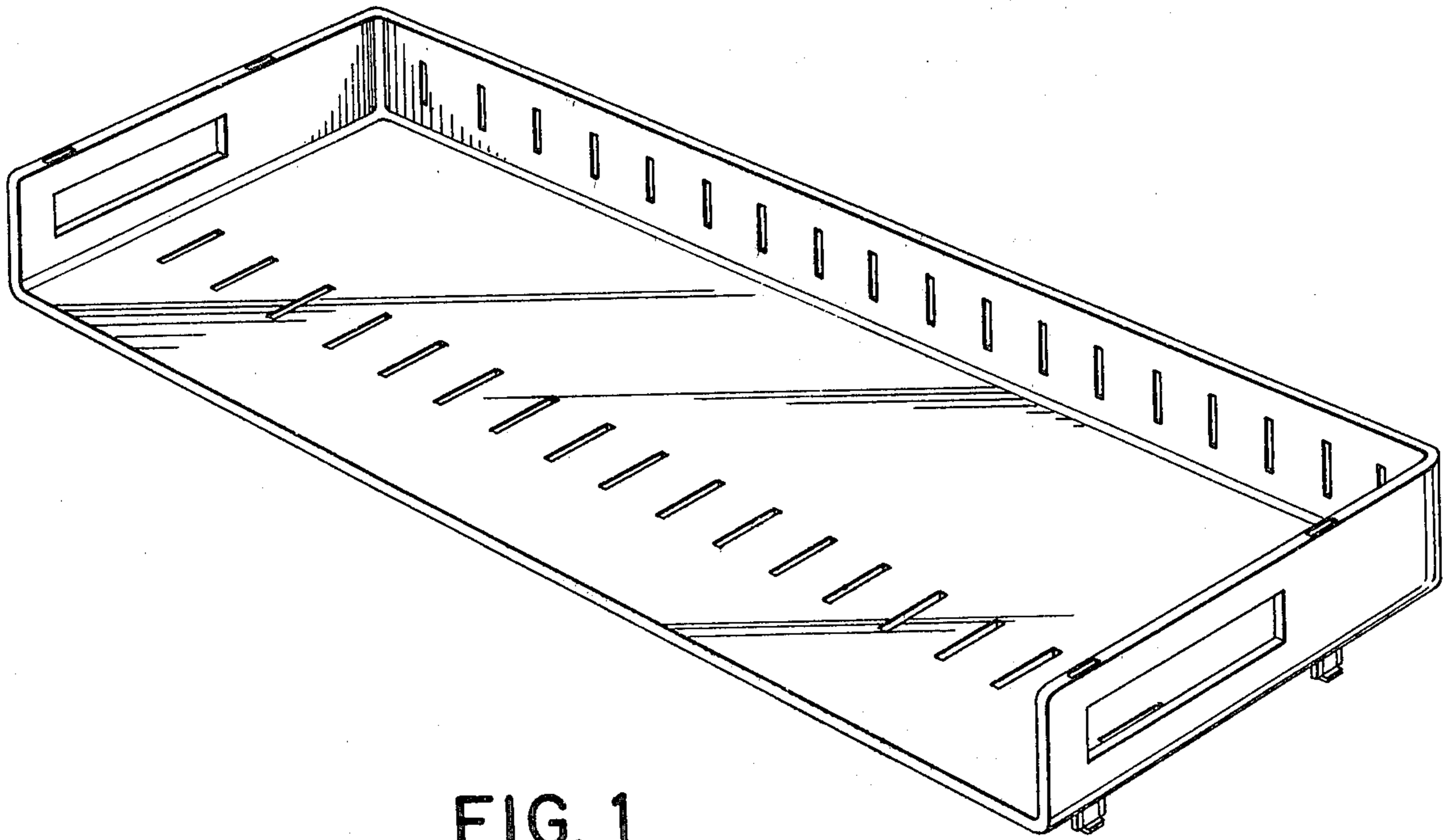


FIG. 1

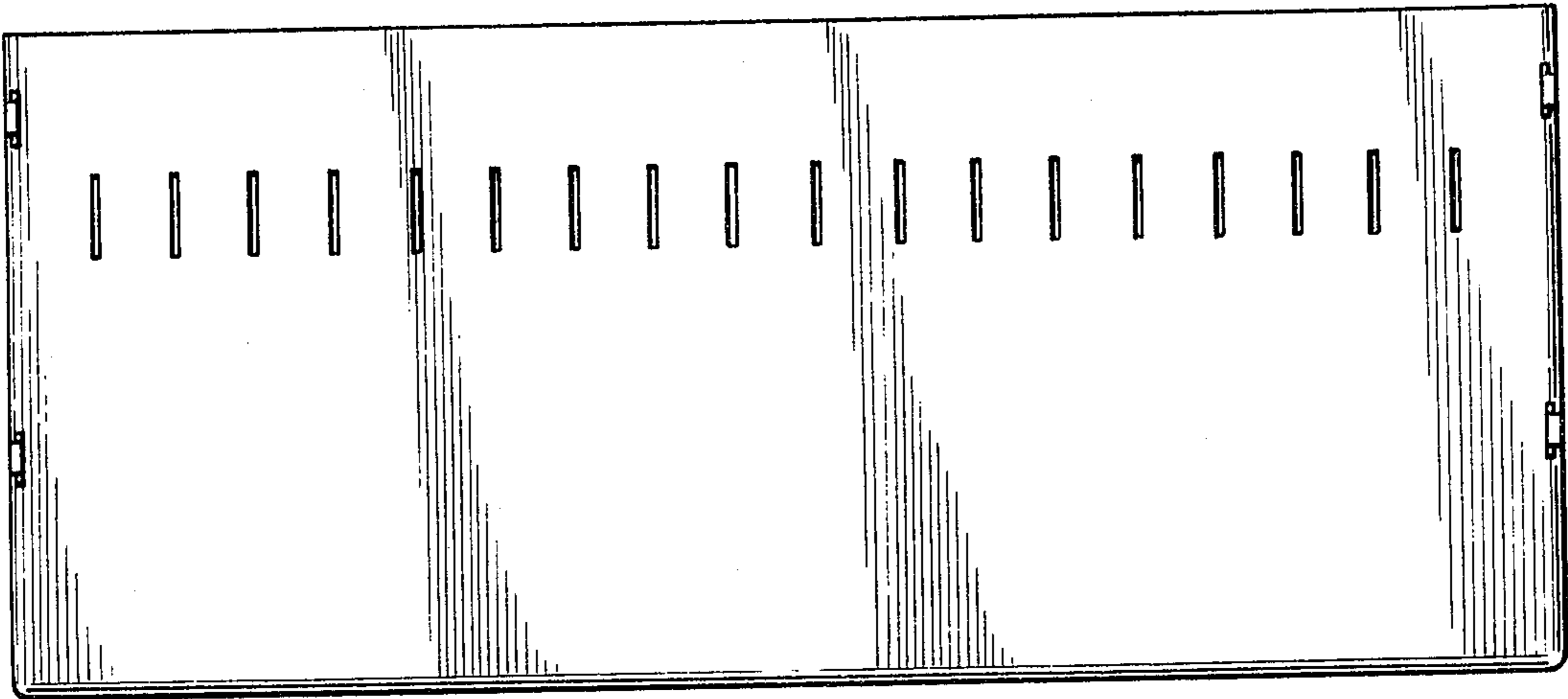


FIG. 4

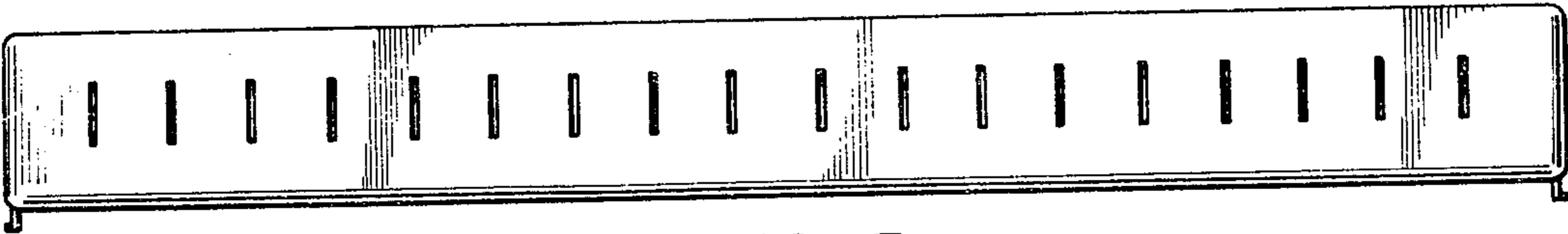


FIG. 5

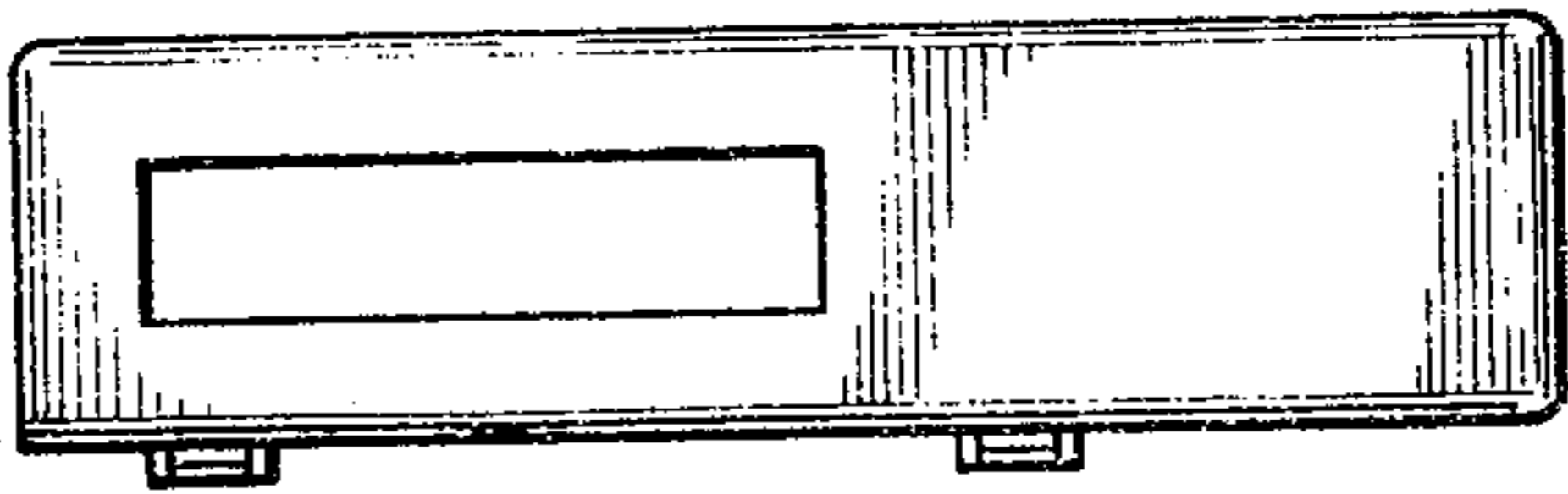


FIG. 6