

[54] ELECTROPHOTOGRAPHIC COPIER OR THE LIKE

[75] Inventors: Christopher Hawley, Longmont; Robert M. Hofland, Boulder; Lowell M. Simson, Louisville, all of Colo.

[73] Assignee: International Business Machines Corporation, Armonk, N.Y.

[\*\*] Term: 14 Years

[21] Appl. No.: 374,676

[22] Filed: May 4, 1982

[52] U.S. Cl. .... D16/30

[58] Field of Search ..... D16/27, 29, 30, 31, D16/32; 355/3 R, 3 SH, 3 C, 8 R, 9 R, 11 R, 14 R, 14 SH, 97

[56] References Cited

U.S. PATENT DOCUMENTS

D. 214,699	7/1969	Stessel	.....	D16/30
D. 218,201	7/1970	Wagner	.....	D16/30
D. 230,312	2/1974	Penny	.....	D16/30
D. 240,965	8/1976	Hutcheson	.....	D16/30
D. 243,238	2/1977	Olson	.....	D16/30
D. 245,847	9/1977	Bevilacqua et al.	.....	D16/30
D. 245,848	9/1977	Bevilacqua et al.	.....	D16/30
D. 245,911	9/1977	Bevilacqua et al.	.....	D16/27

D. 246,046	10/1977	Hawthorne	.....	D16/30
D. 255,456	6/1980	Bevilacqua et al.	.....	D16/30
D. 258,446	3/1981	Beehler	.....	D16/30
D. 263,311	3/1982	Goto	.....	D16/30
D. 268,345	3/1983	Robertson	.....	D16/30
4,165,168	8/1979	Baumann et al.	.....	355/3 R
4,206,996	6/1980	Clark et al.	.....	355/14 C
4,209,249	6/1980	Clark et al.	.....	355/14 R

Primary Examiner—Nelson C. Holtje  
Attorney, Agent, or Firm—Charles E. Rohrer

[57] CLAIM

The ornamental design for an electrophotographic copier or the like, substantially as shown and described.

DESCRIPTION

FIG. 1 is a top, front, and right side perspective view of an electrophotographic copier or the like showing our new design.

FIG. 2 is a front elevational view thereof.

FIG. 3 is a rear elevational view thereof.

FIG. 4 is a left side elevational view thereof.

FIG. 5 is a right side elevational view thereof.

FIG. 6 is a top plan view thereof.

FIG. 7 is a top, front and right side perspective view of a second embodiment of an electrophotographic copier or the like showing our new design of FIGS. 1-6.

The bottom of the electrophotographic machine is substantially planar and unornamented.

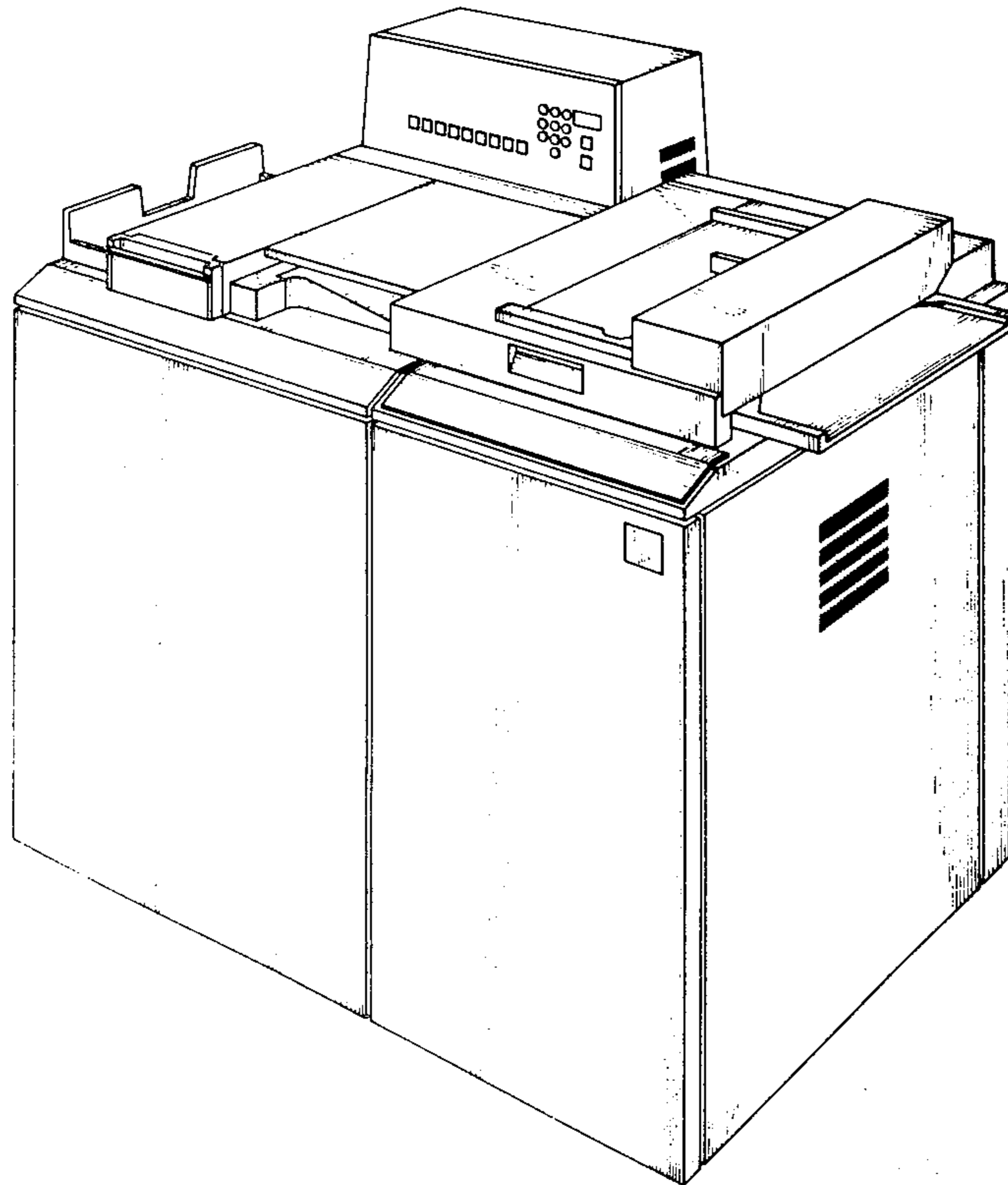
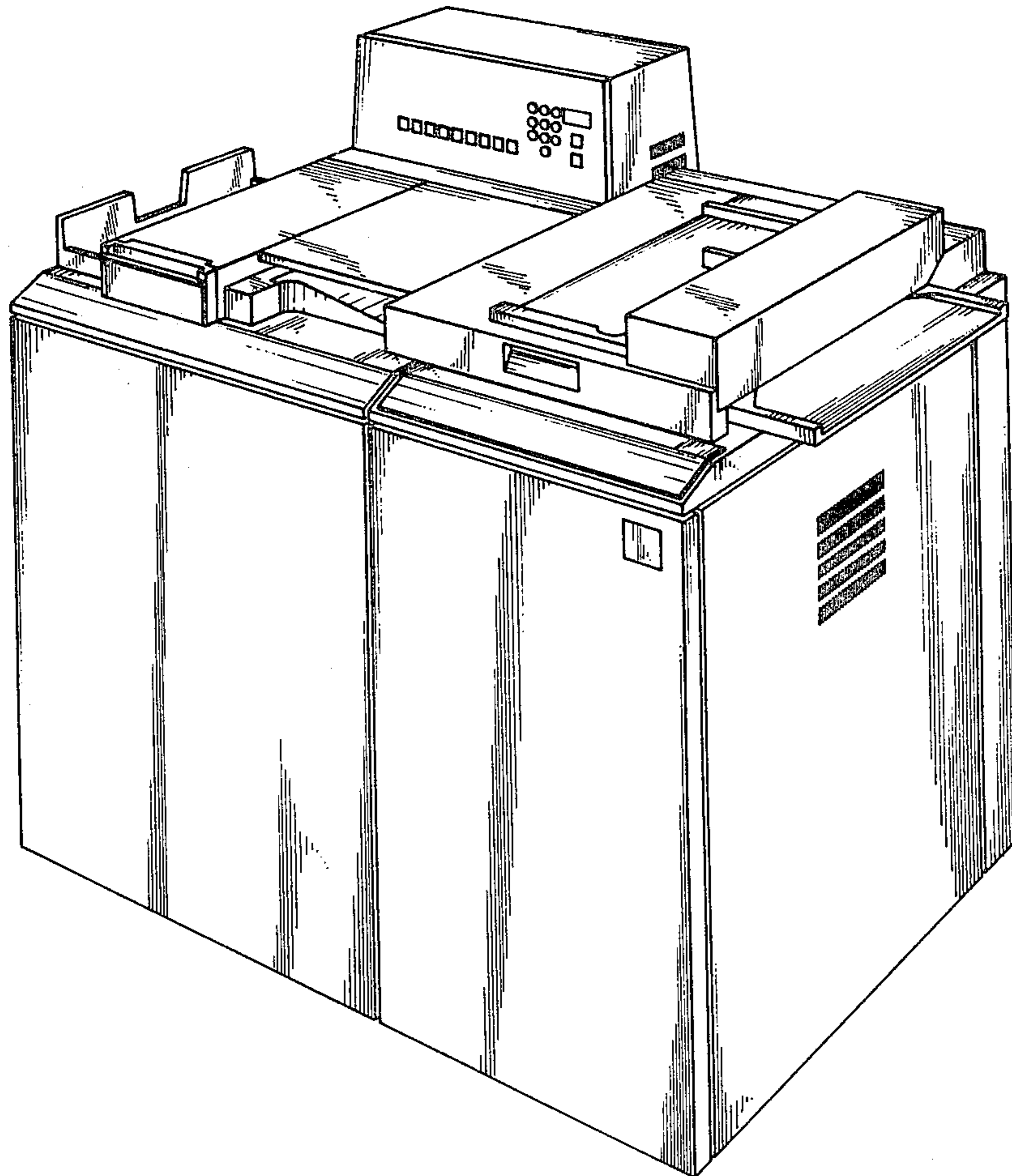


FIG. 1



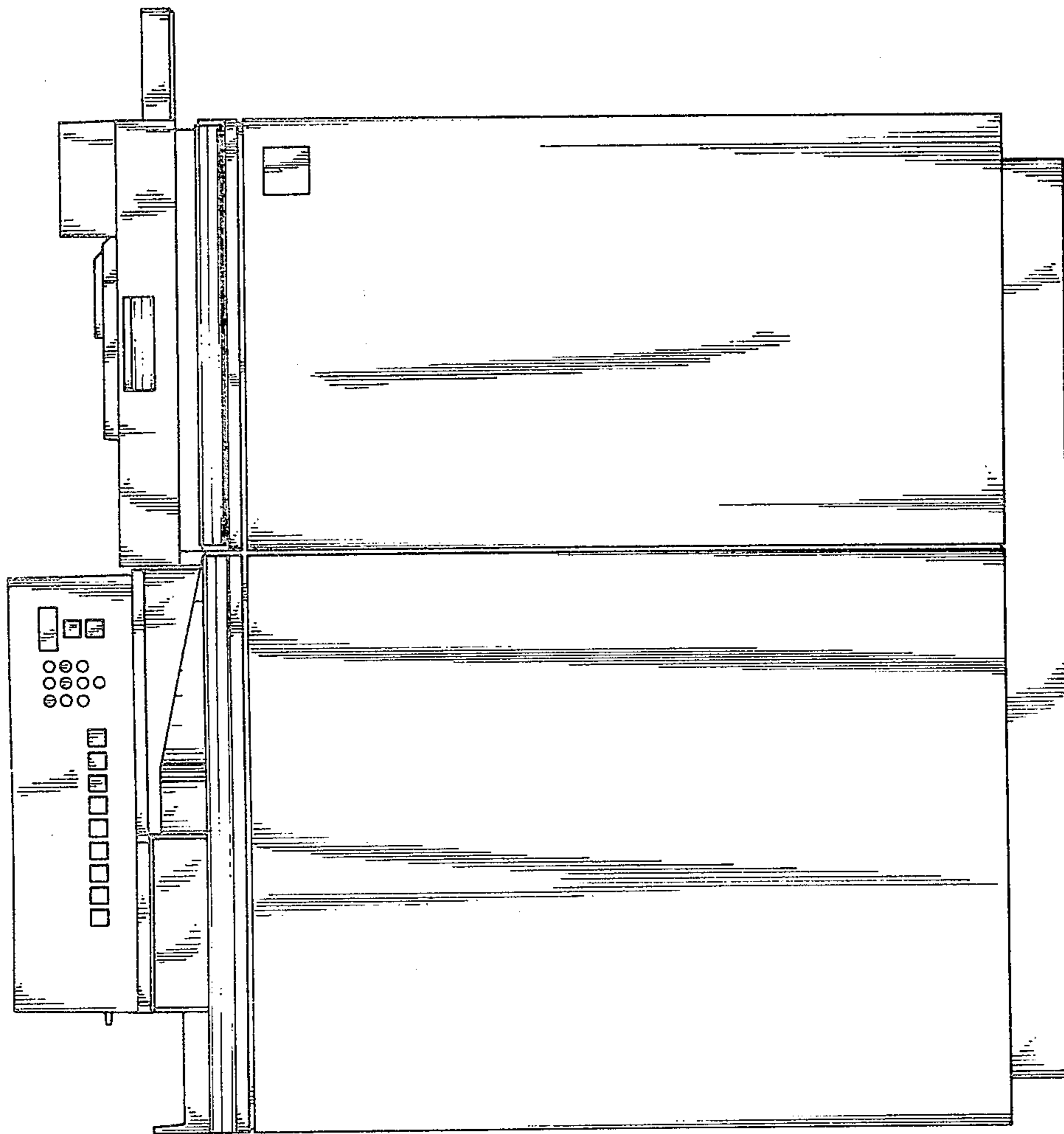


FIG. 2

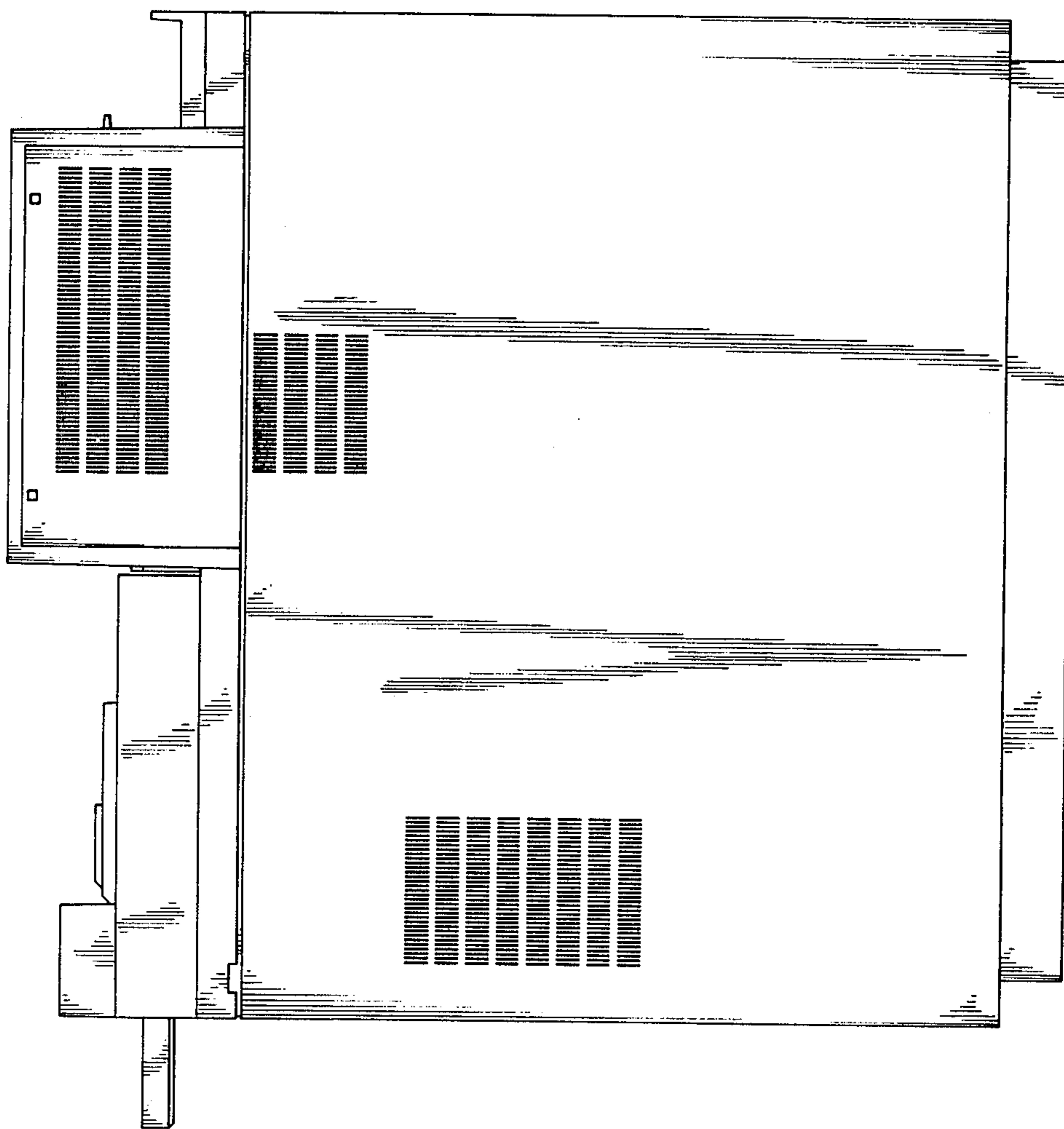


FIG. 3

FIG. 4

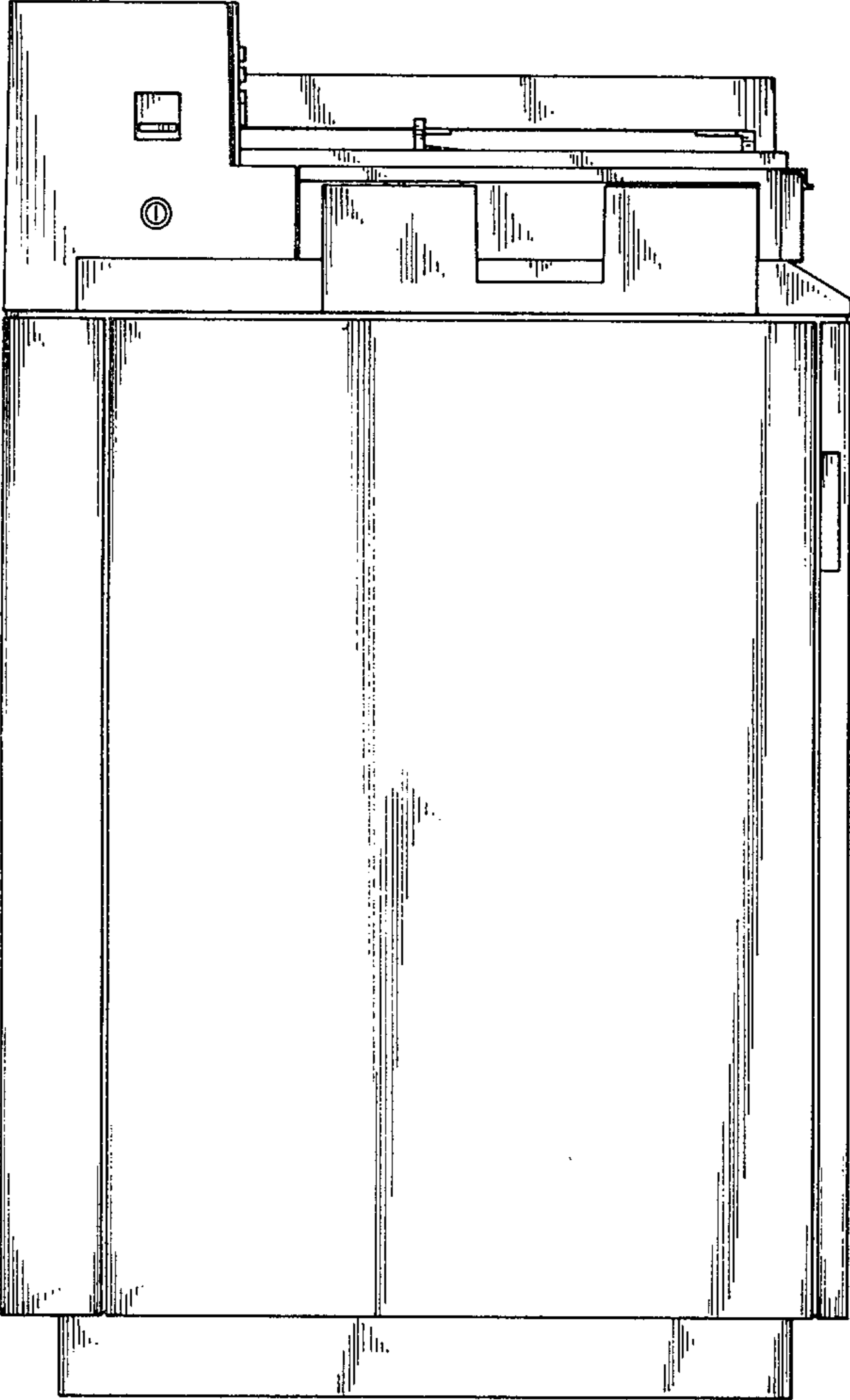
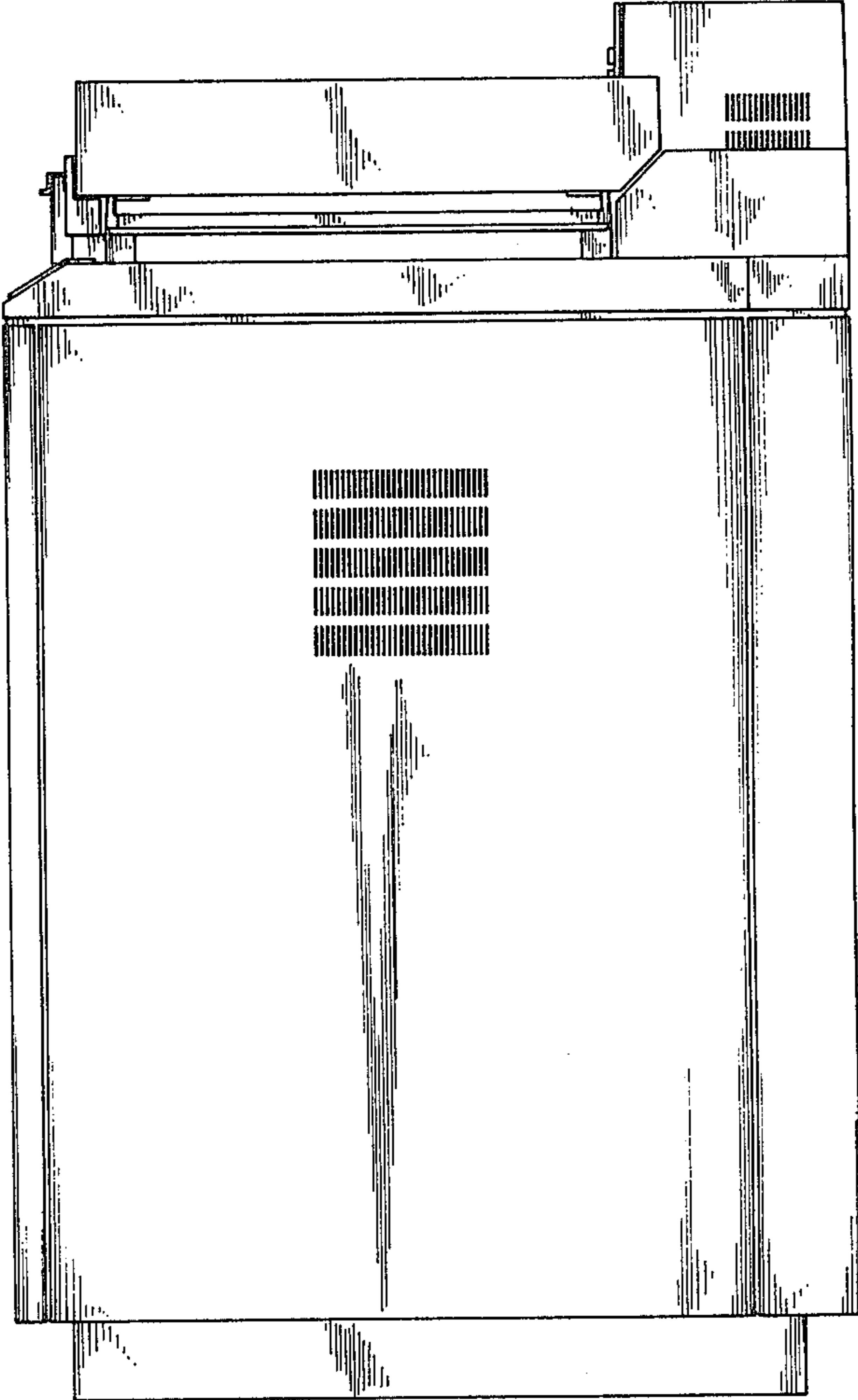


FIG. 5



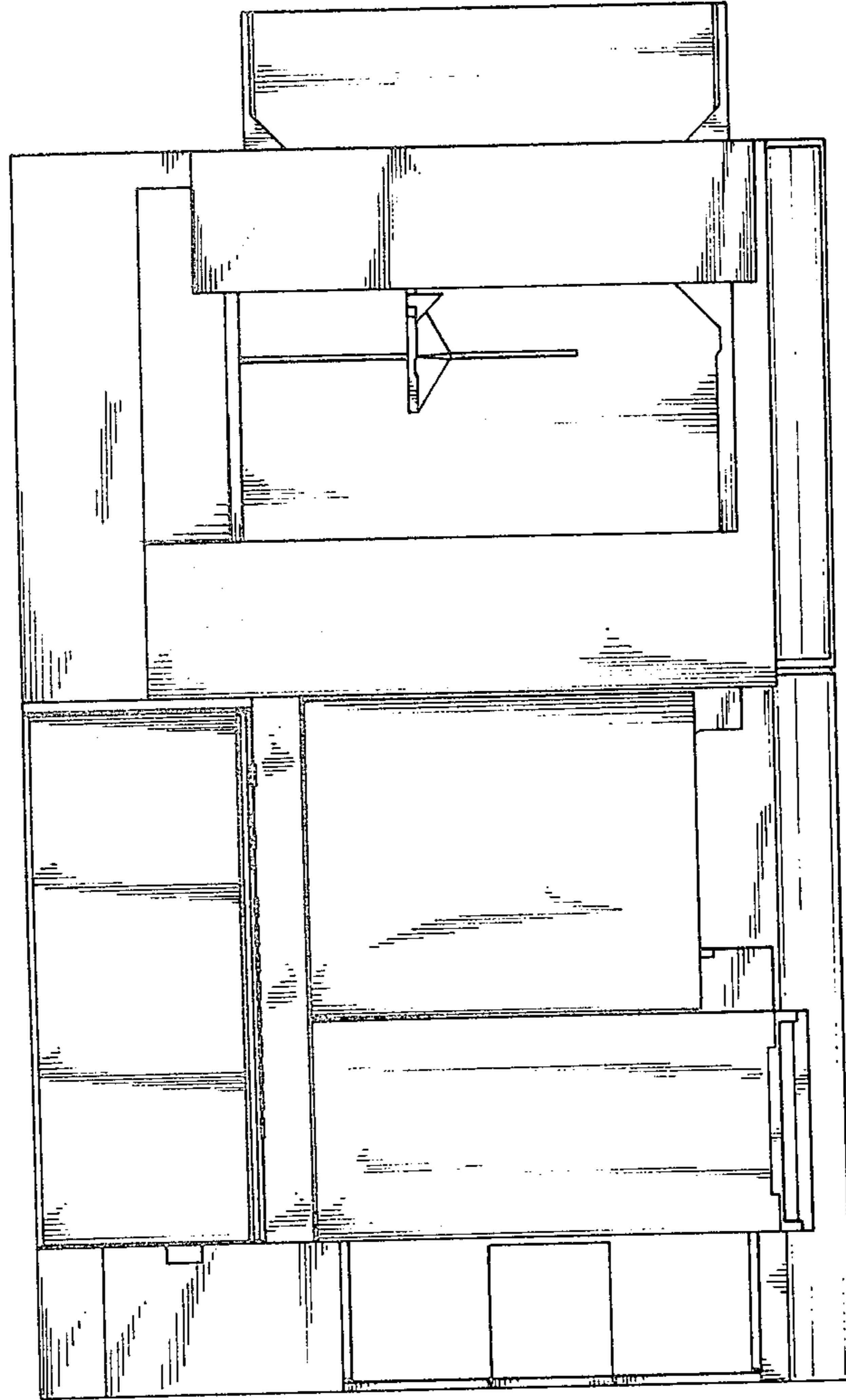


FIG. 6

FIG. 7

