

United States Patent [19]

Barber

[11] Patent Number: **Des. 275,861**

[45] Date of Patent: **** Oct. 9, 1984**

[54] BEARING RETAINER

[76] Inventor: **Denzil L. Barber**, Rte. 2, Box 130K,
Camdenton, Mo. 65020

[**] Term: **14 Years**

[21] Appl. No.: **264,010**

[22] Filed: **May 15, 1981**

[52] U.S. Cl. **D15/138; D15/143**

[58] Field of Search **D15/143; 308/243, 245,
308/DIG. 3; DIG 10; D9/443, 448; 206/5.1; D24/9**

[56] **References Cited**

U.S. PATENT DOCUMENTS

D. 29,522	10/1898	Cummings	D15/143
D. 143,258	12/1945	Aker	D15/143
D. 199,454	10/1964	Bradbury	D15/143
D. 226,787	4/1973	Walchle	D24/9
D. 236,020	7/1975	Wachter	D15/143

3,414,117 12/1968 Leeds 206/5.1
3,768,633 10/1973 Nathan 206/5.1

Primary Examiner—Wallace R. Burke
Assistant Examiner—Suzanne N. Gitlin
Attorney, Agent, or Firm—Kokjer, Kircher, Bradley,
Wharton, Bowman & Johnson

[57] **CLAIM**

The ornamental design for a bearing retainer, as shown and described.

DESCRIPTION

FIG. 1 is a top and one side perspective view of a bearing retainer showing my new design;

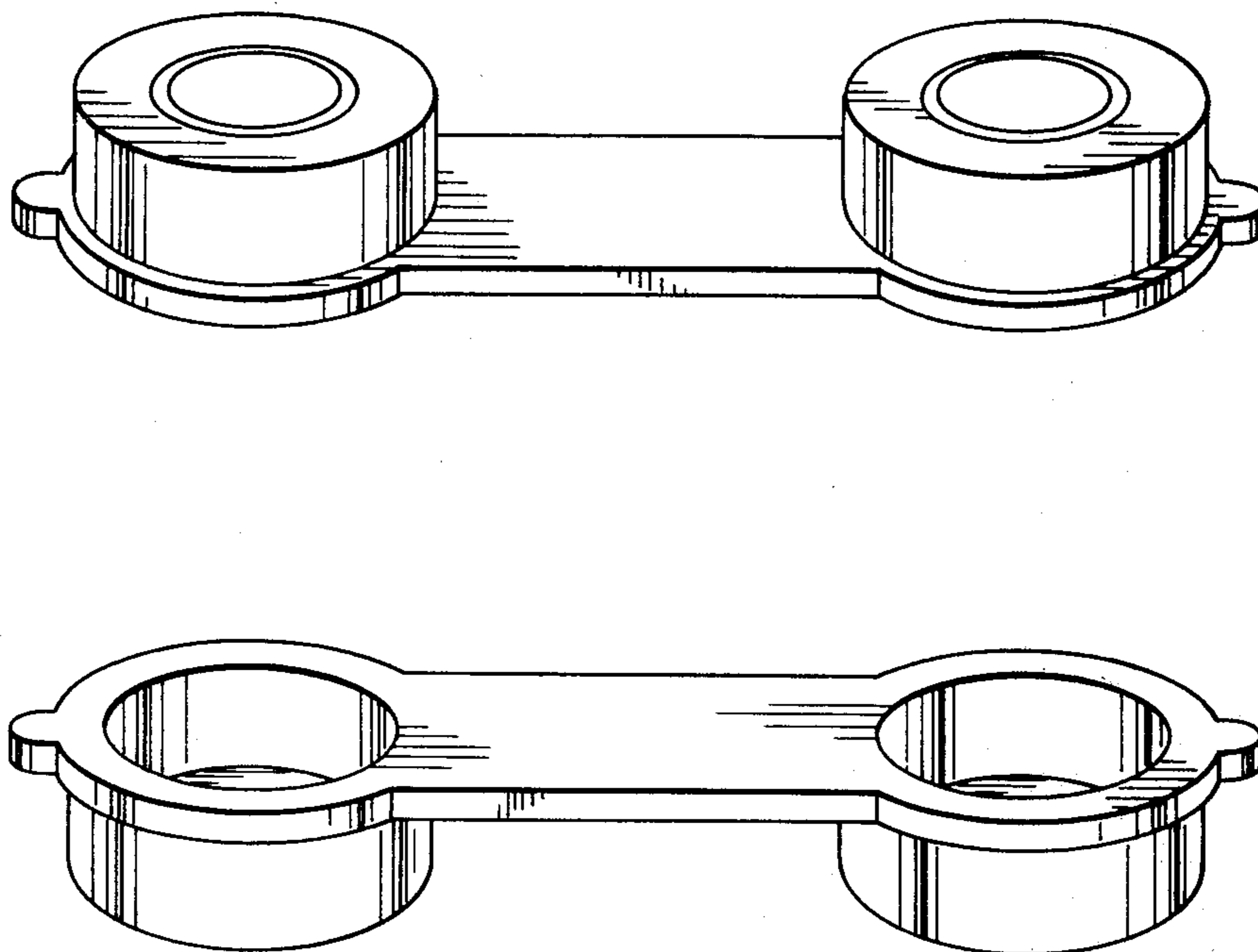
FIG. 2 is a bottom and one side perspective view thereof;

FIG. 3 is a top plan view thereof;

FIG. 4 is a side elevational view thereof;

FIG. 5 is an end elevational view thereof;

FIG. 6 is a bottom plan view thereof.



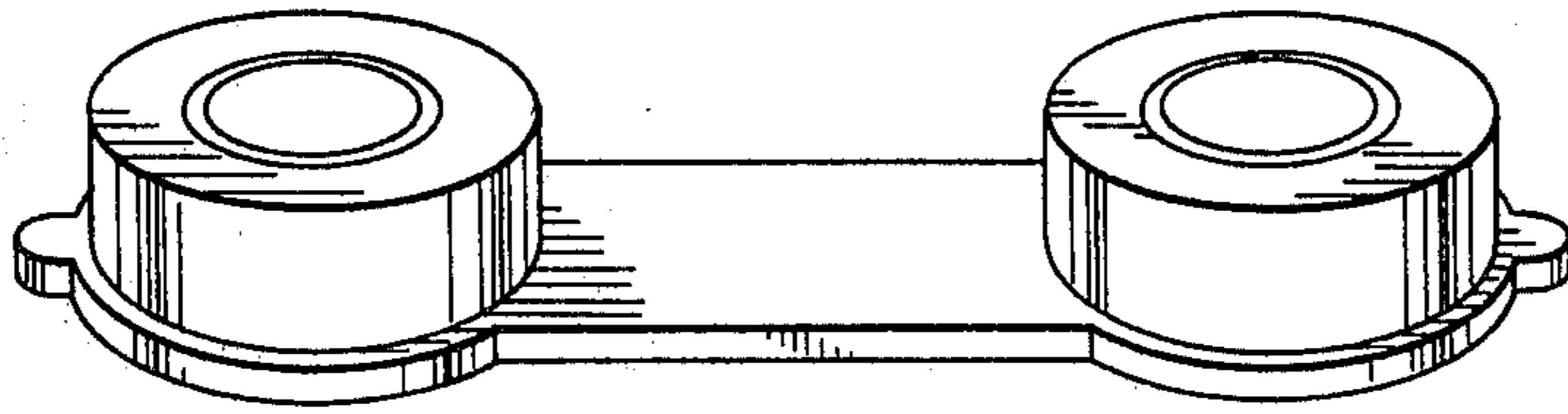


Fig. 1.

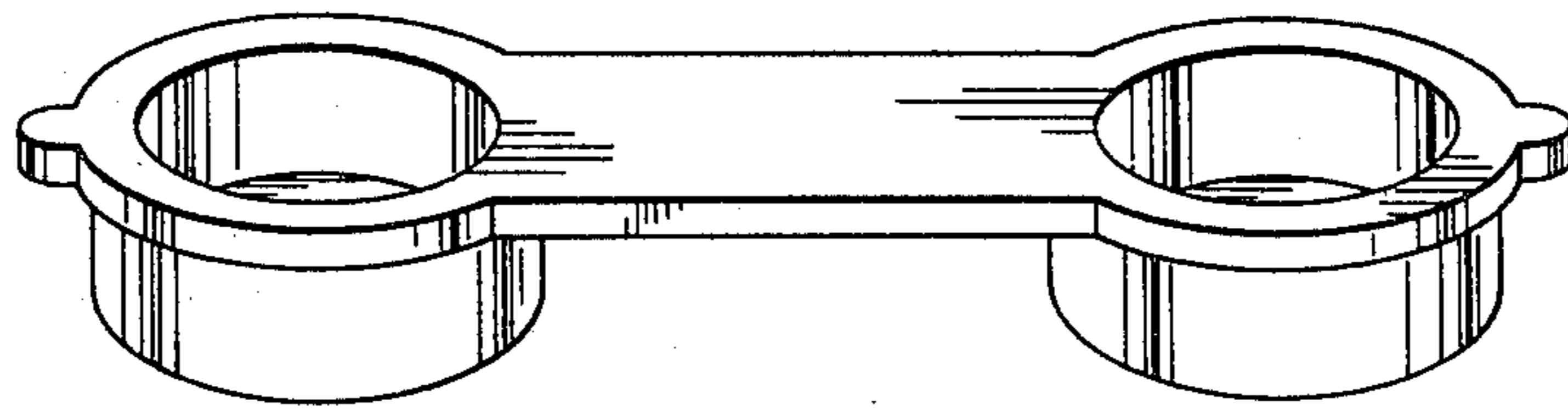


Fig. 2.

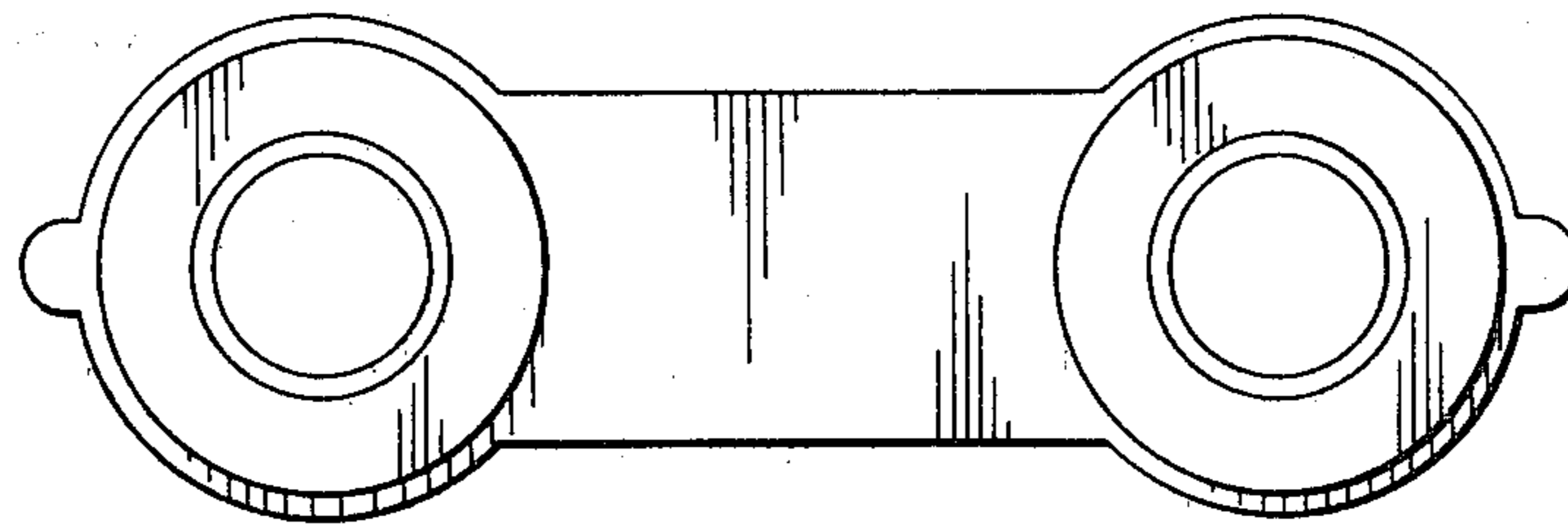


Fig. 3.

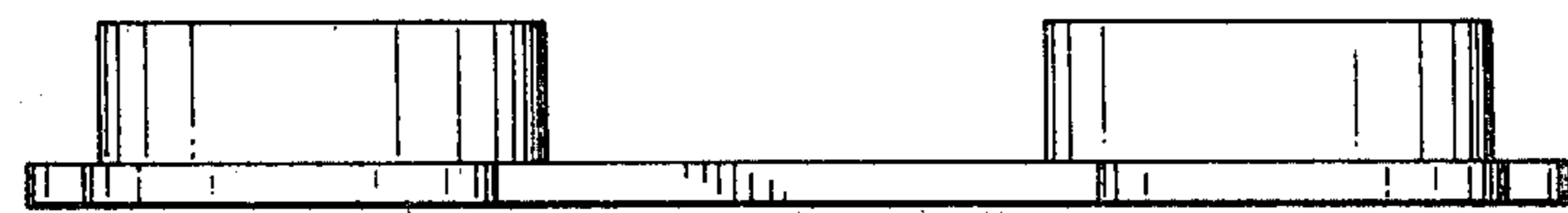


Fig. 4.



Fig. 5.

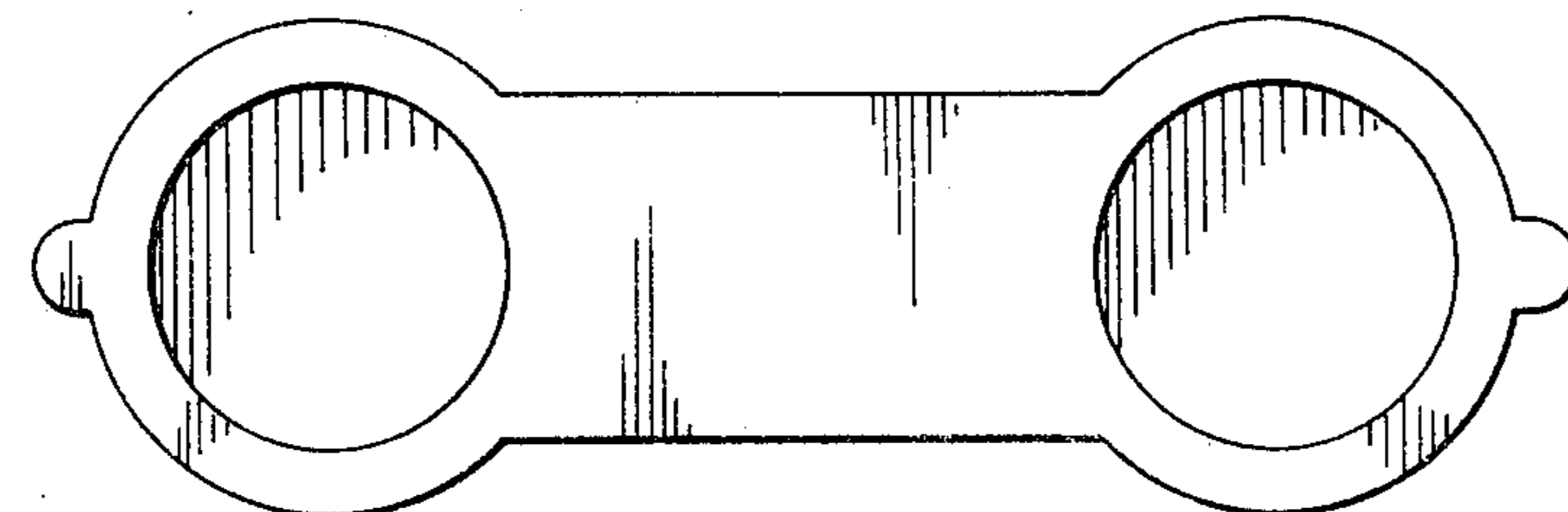


Fig. 6.