

United States Patent [19]

Nilsson

[11] Patent Number: **Des. 275,859**

[45] Date of Patent: **** Oct. 9, 1984**

[54] **LOADER TOOTH ADAPTERS**

[75] Inventor: **Ove Nilsson, Örebro, Sweden**

[73] Assignee: **Aktiebolaget Bofors, Bofors, Sweden**

[**] Term: **14 Years**

[21] Appl. No.: **380,303**

[22] Filed: **May 20, 1982**

[30] **Foreign Application Priority Data**

Nov. 23, 1981 [SE] Sweden 81-2718

[52] U.S. Cl. **D15/28; D15/29**

[58] Field of Search **D15/10, 11, 25, 28, D15/29; 37/141 R, 141 T, 142 R, 142 A**

[56] **References Cited**

U.S. PATENT DOCUMENTS

D. 251,431 3/1979 Klett et al. D15/28

D. 252,461 7/1979 Korpi D15/28
3,851,413 12/1974 Lukavich 37/141 T
4,027,408 6/1977 Ramella et al. 37/142 R

FOREIGN PATENT DOCUMENTS

1409622 12/1968 Fed. Rep. of Germany 37/142R

Primary Examiner—Bernard Ansher

Assistant Examiner—Suzanne N. Gitlin

Attorney, Agent, or Firm—Pollock, Vande Sande & Priddy

[57] **CLAIM**

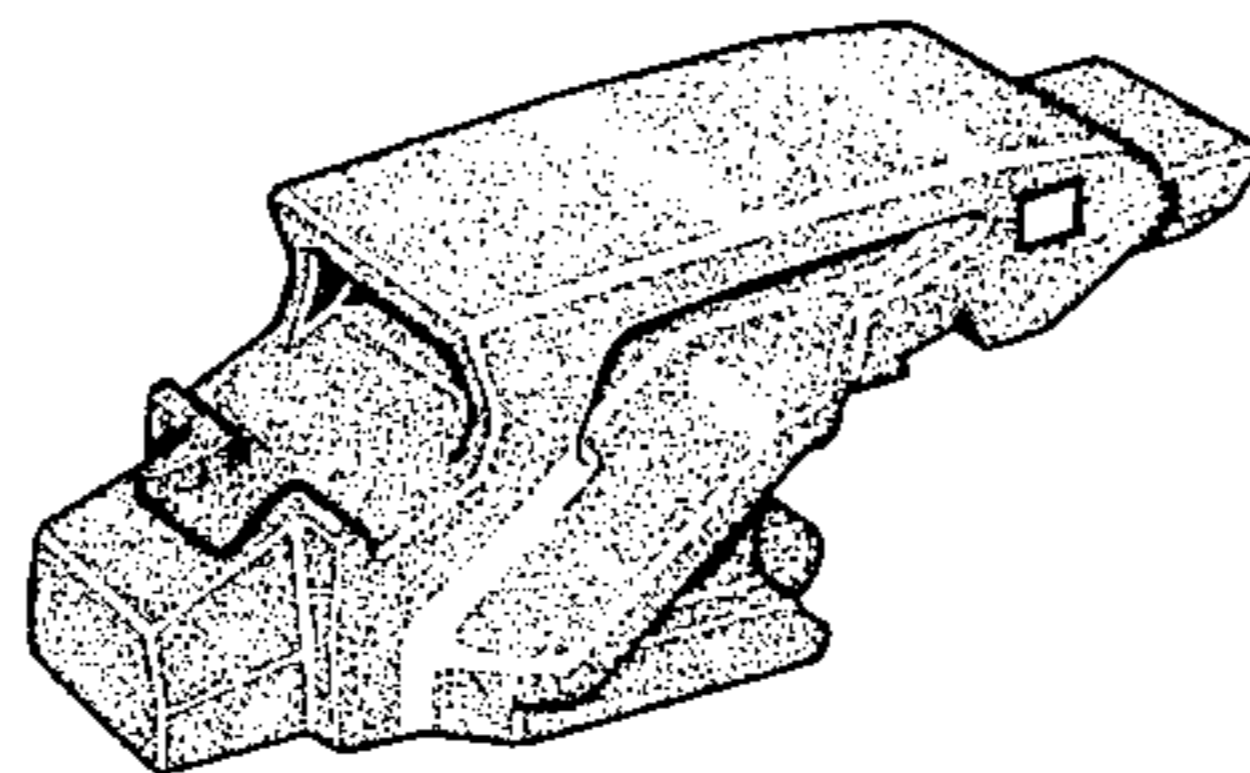
The ornamental design for loader tooth adapters, as shown.

DESCRIPTION

FIG. 1 is a top right side perspective view of a loader tooth adapter showing our new design;

FIG. 2 is a top left side perspective view thereof;

FIG. 3 is a bottom right side perspective view thereof.



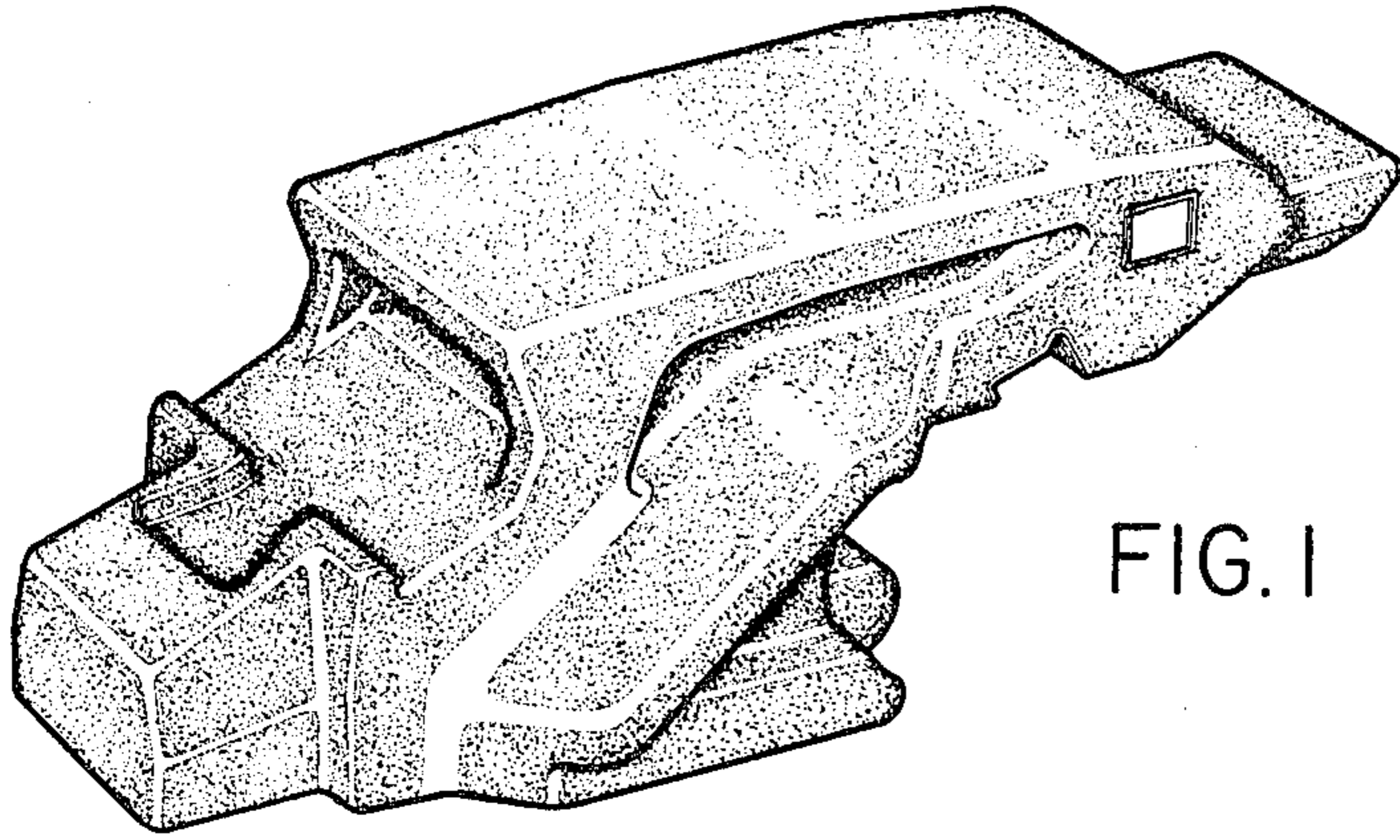


FIG. 1

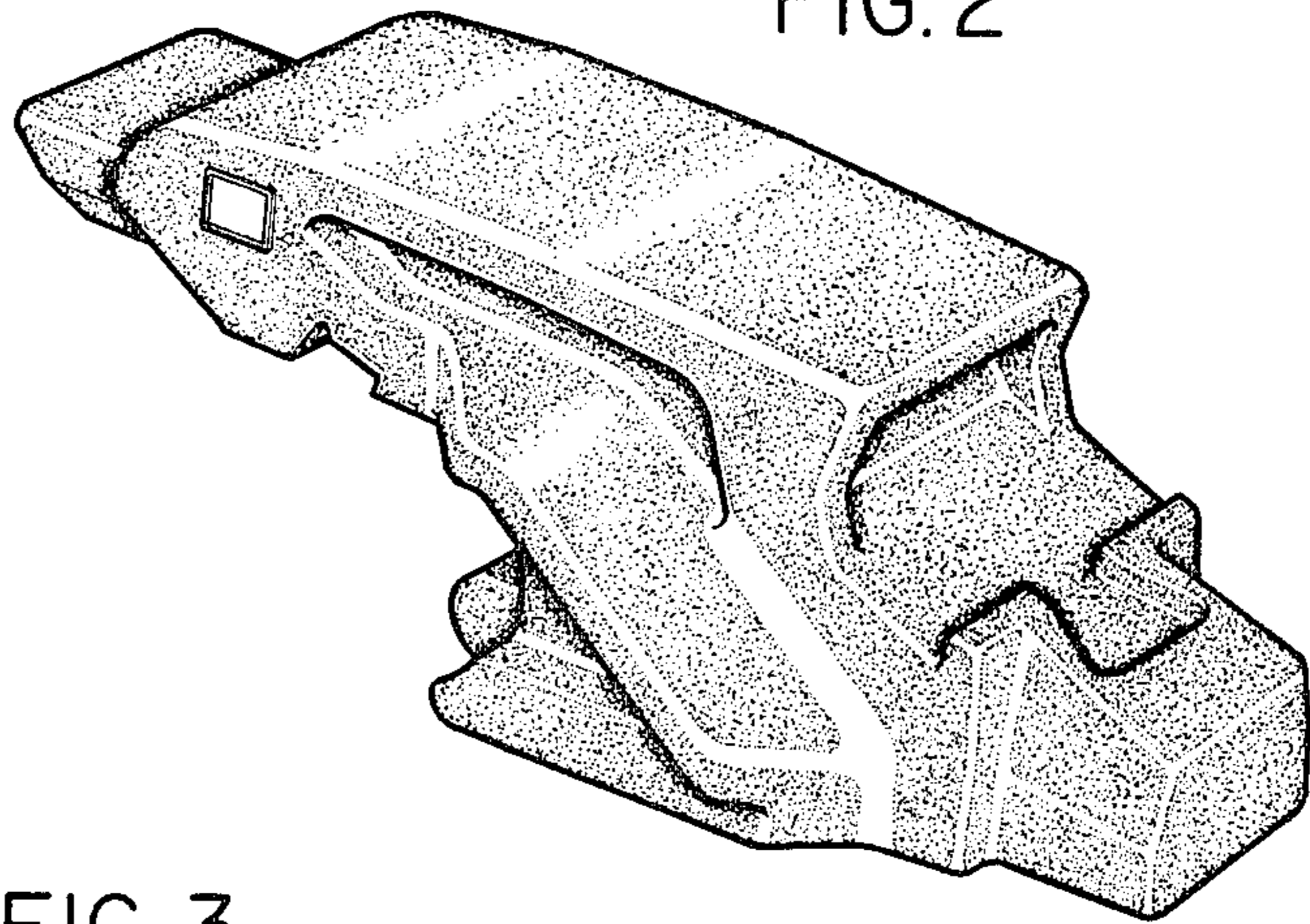


FIG. 2

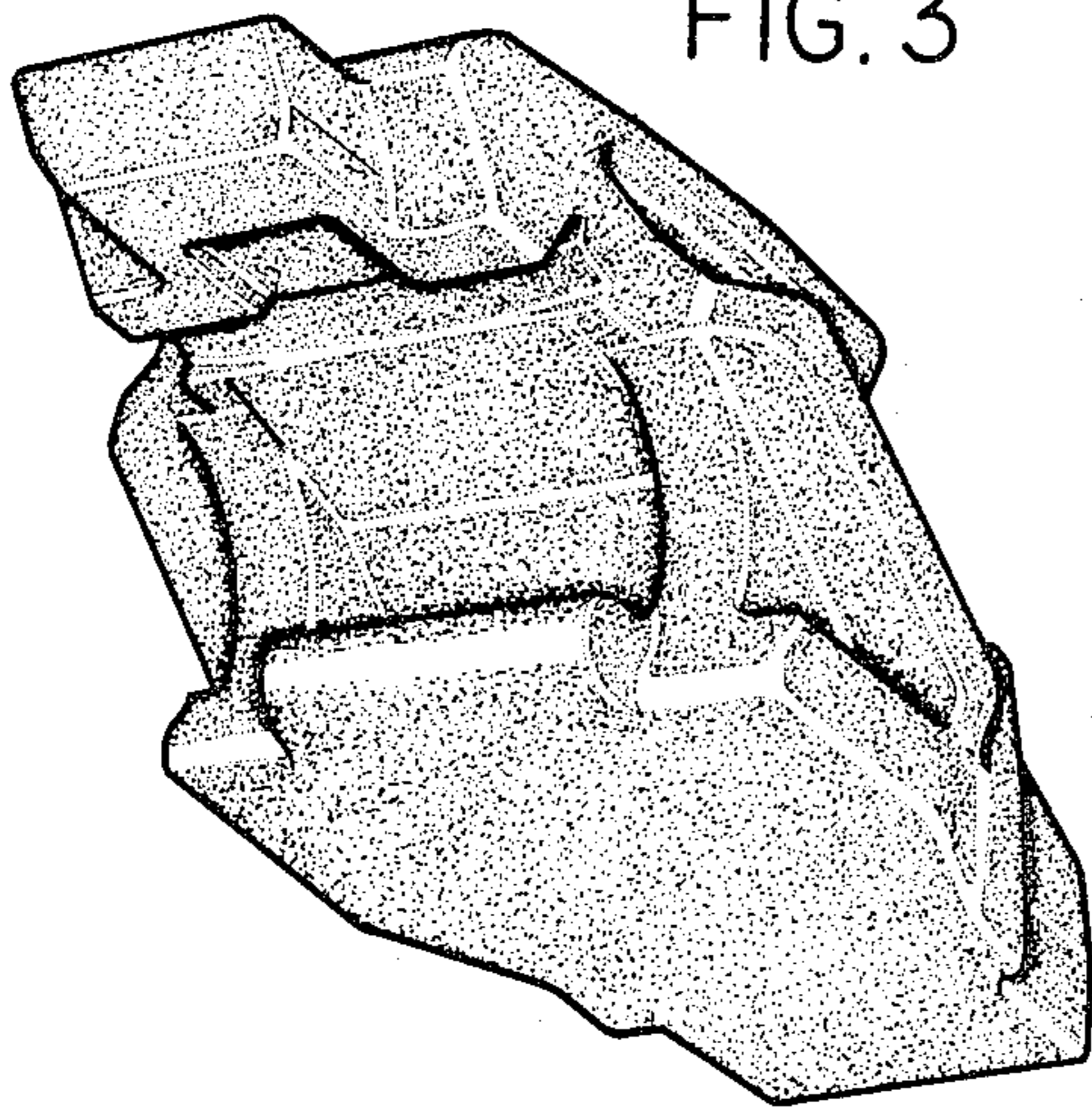


FIG. 3