

[54] DOUBLE DIAPHRAGM PUMP

[75] Inventor: James K. Wilden, Yucaipa, Calif.

[73] Assignee: Wilden Pump & Engineering Co., Colton, Calif.

[**] Term: 14 Years

[21] Appl. No.: 383,494

[22] Filed: Jun. 1, 1982

[52] U.S. Cl. D15/7

[58] Field of Search D15/7, 9; 417/393, 394, 417/395

[56] References Cited

U.S. PATENT DOCUMENTS

- D. 34,514 5/1901 Worthington D15/7
- D. 190,052 4/1961 Bartholomew D15/7
- D. 194,379 1/1963 Holtgrieve et al. D15/7

- D. 240,272 6/1976 Philpott D15/7
- D. 268,413 3/1983 Wilden D15/7
- 3,162,133 12/1964 Smith 417/393
- 3,791,768 2/1974 Wanner 417/393
- 4,247,264 1/1981 Wilden 417/395

Primary Examiner—Wallace R. Burke
Assistant Examiner—Lynn Wilder
Attorney, Agent, or Firm—Lyon & Lyon

[57] CLAIM

The ornamental design for a double diaphragm pump, substantially as shown and described.

DESCRIPTION

FIG. 1 is a front elevational view of a double diaphragm pump showing my new design; FIG. 2 is an elevational view of one side thereof, the other side being a mirror image; FIG. 3 is a back elevational view thereof; and FIG. 4 is a top plan view thereof.

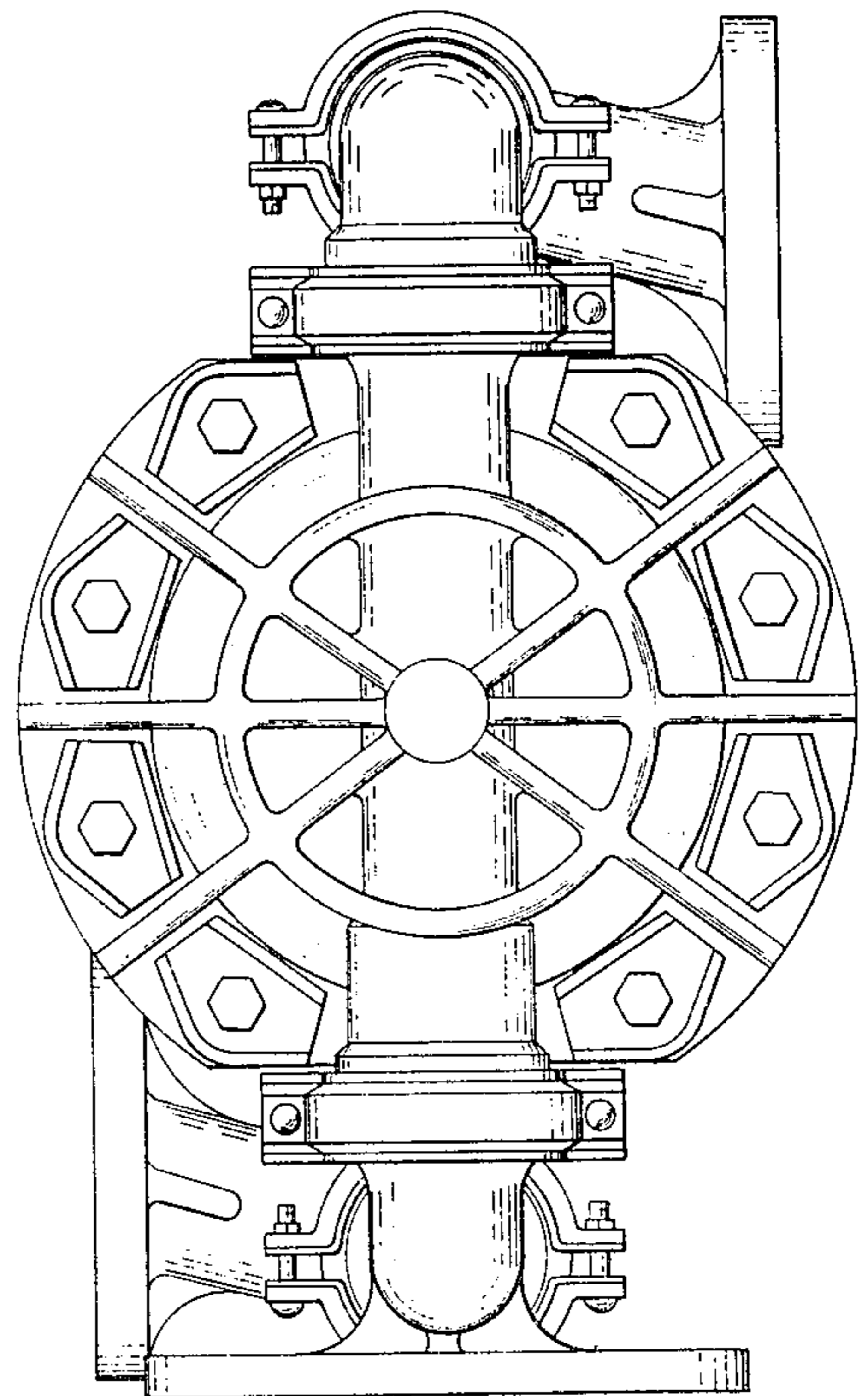
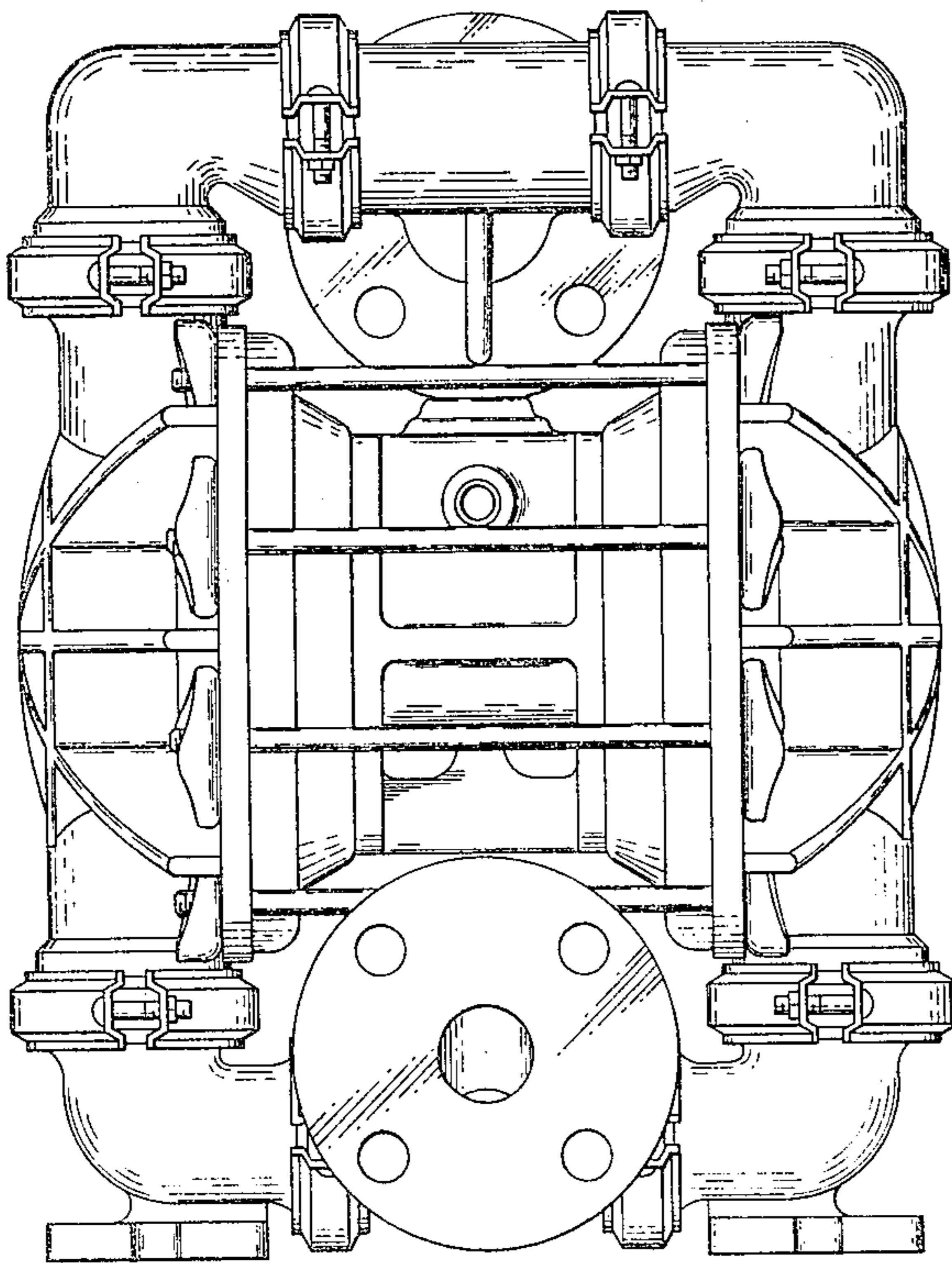


FIG. 1

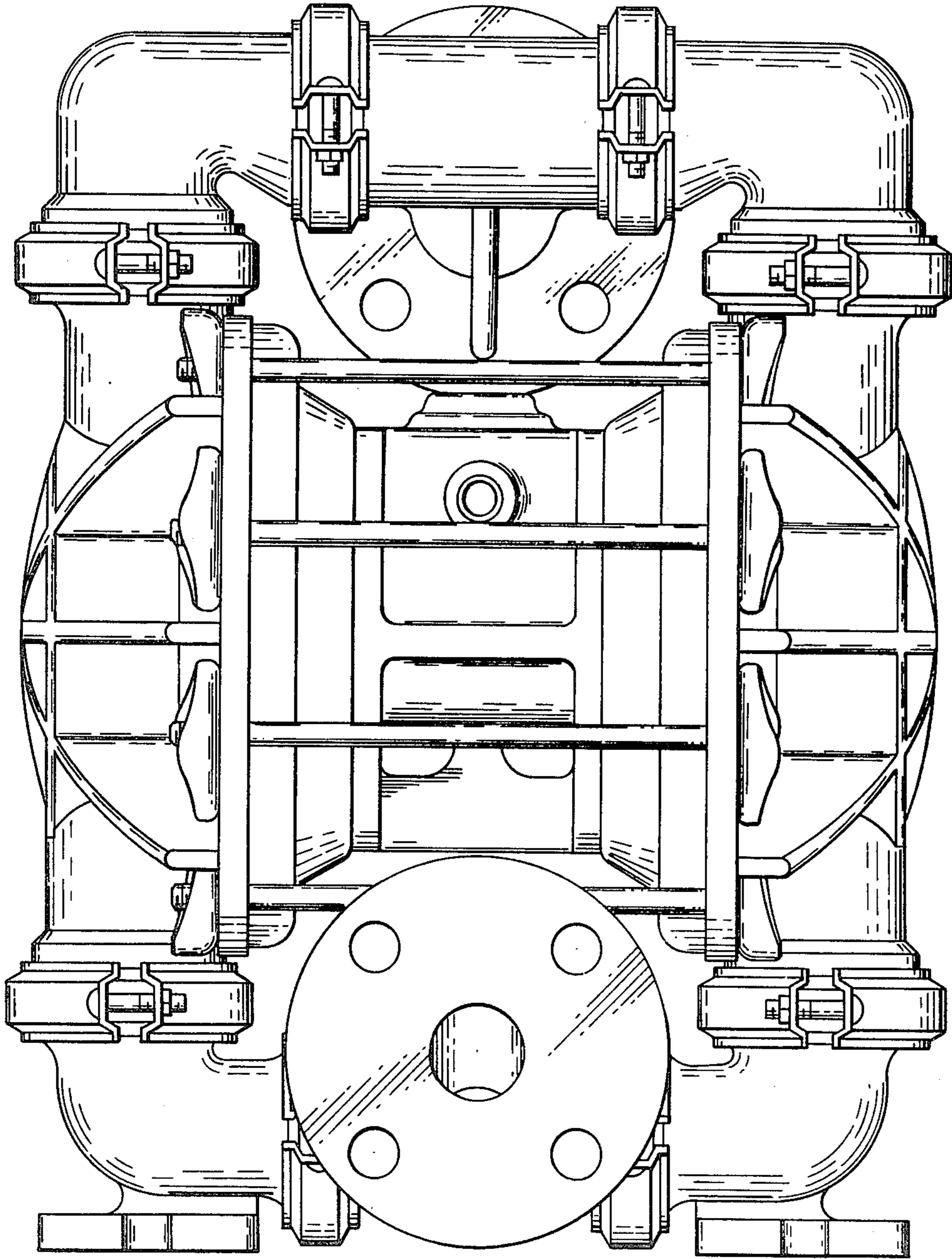


FIG. 2

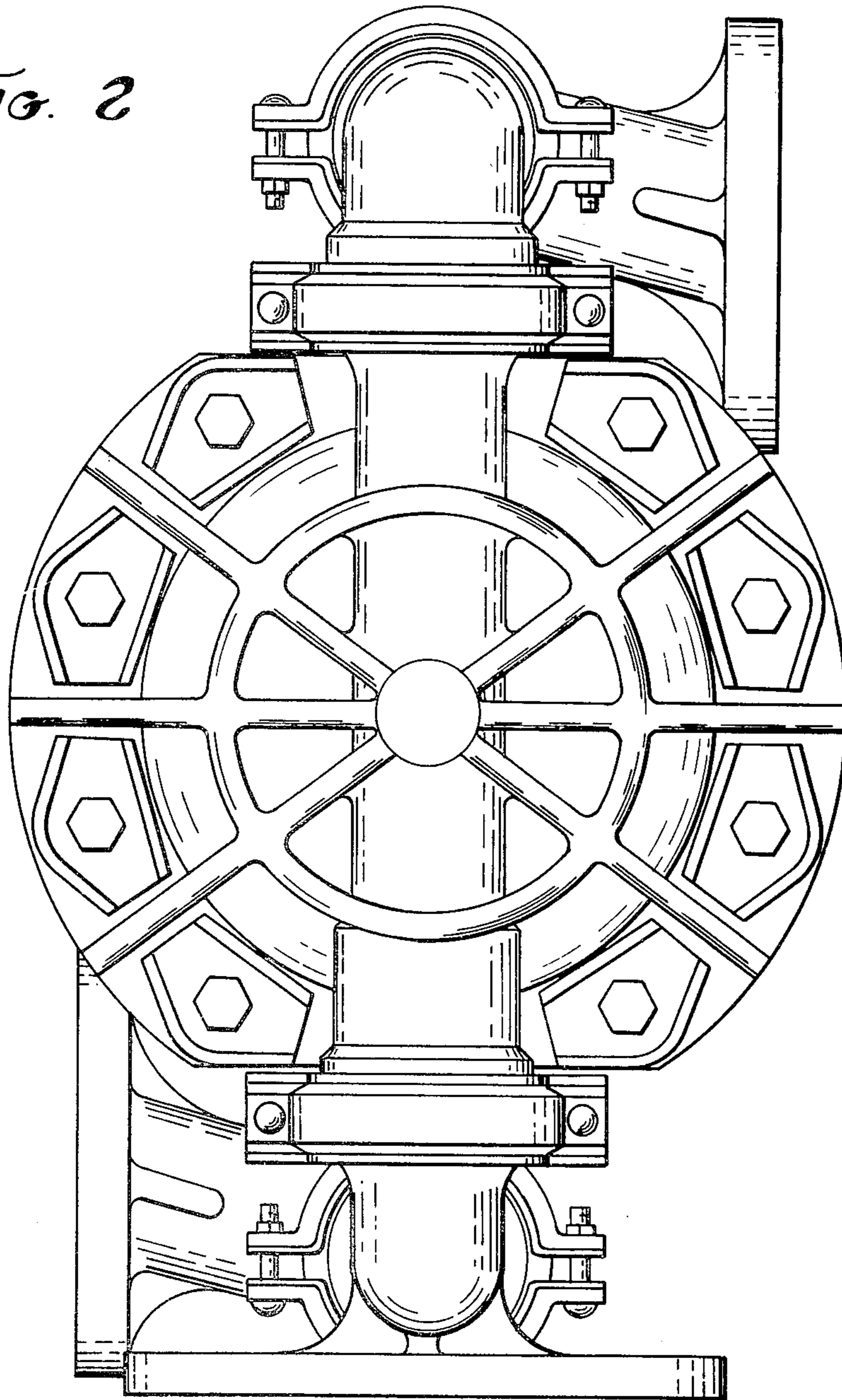
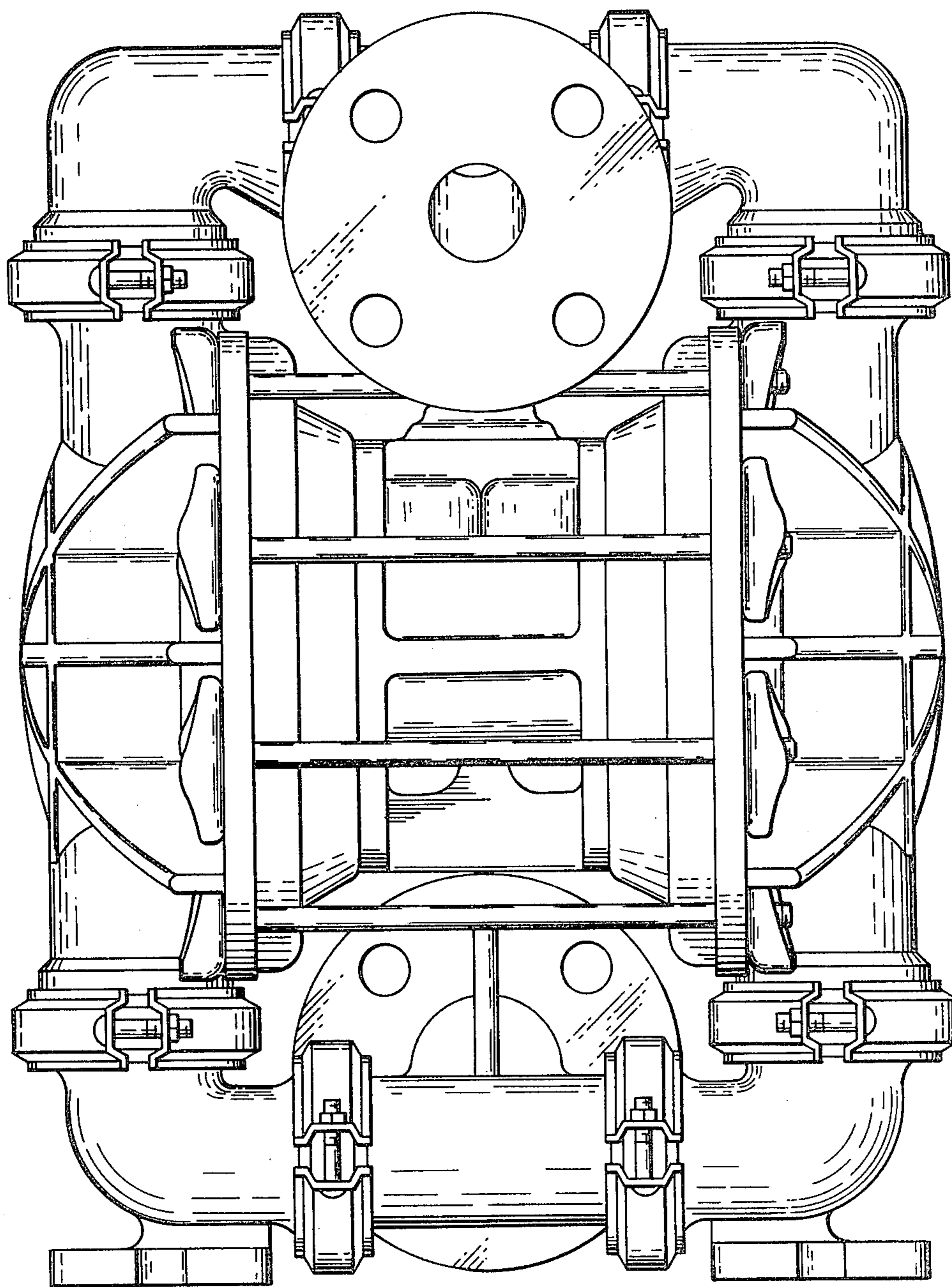


FIG. 3



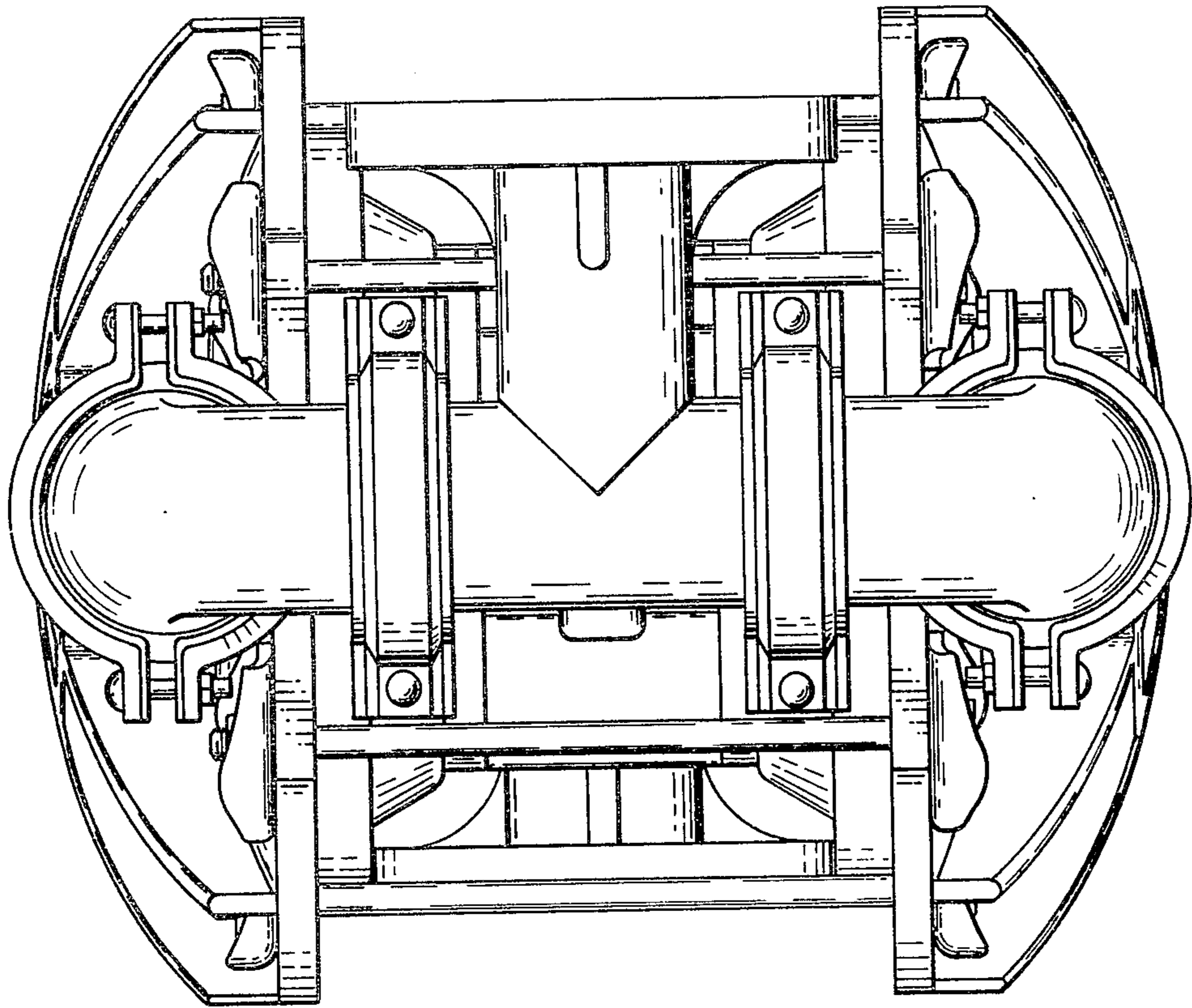


FIG. 4