

[54] **DATA TRANSMISSION TERMINAL**

[75] **Inventor: Michel Moraine, Boersch, France**

[73] **Assignee: La Telephonie Industrielle et  
Commerciale Telic Alcatel,  
Strasbourg, France**

[\*\*] **Term: 14 Years**

[21] **Appl. No.: 345,073**

[22] **Filed: Feb. 2, 1982**

[30] **Foreign Application Priority Data**

Aug. 12, 1981 [FR] France ..... 81 2816  
[52] **U.S. Cl. .... D14/101; D14/106**  
[58] **Field of Search ..... D14/100-117;  
340/365 R, 700, 711, 720**

[56] **References Cited  
PUBLICATIONS**

Computer Products, 4-1979, p. 44, CRT Terminal (top left).  
Computer Products, 4-1980, p. 1, Portable Bubble Memory Unit.  
Computer Products, 4-1980, p. 26, Visual 200 Terminal.

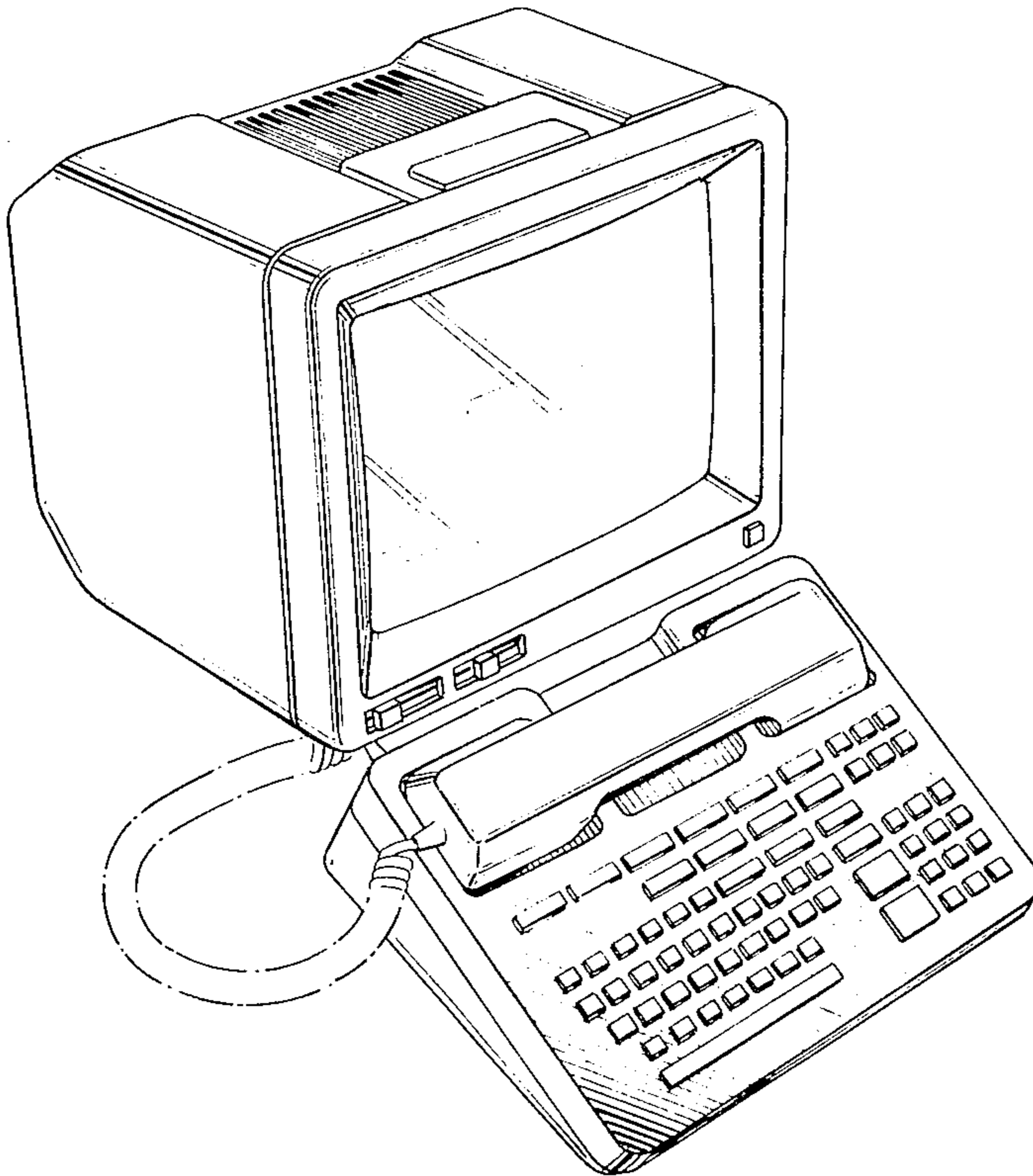
*Primary Examiner*—Susan J. Lucas  
*Attorney, Agent, or Firm*—Kenyon & Kenyon

[57] **CLAIM**

The ornamental design for a data transmission terminal, as shown.

**DESCRIPTION**

FIG. 1 is a front perspective view of the data transmission terminal showing my new design;  
FIG. 2 is a front view thereof;  
FIG. 3 is a left side view thereof; and  
FIG. 4 is a rear perspective view thereof.



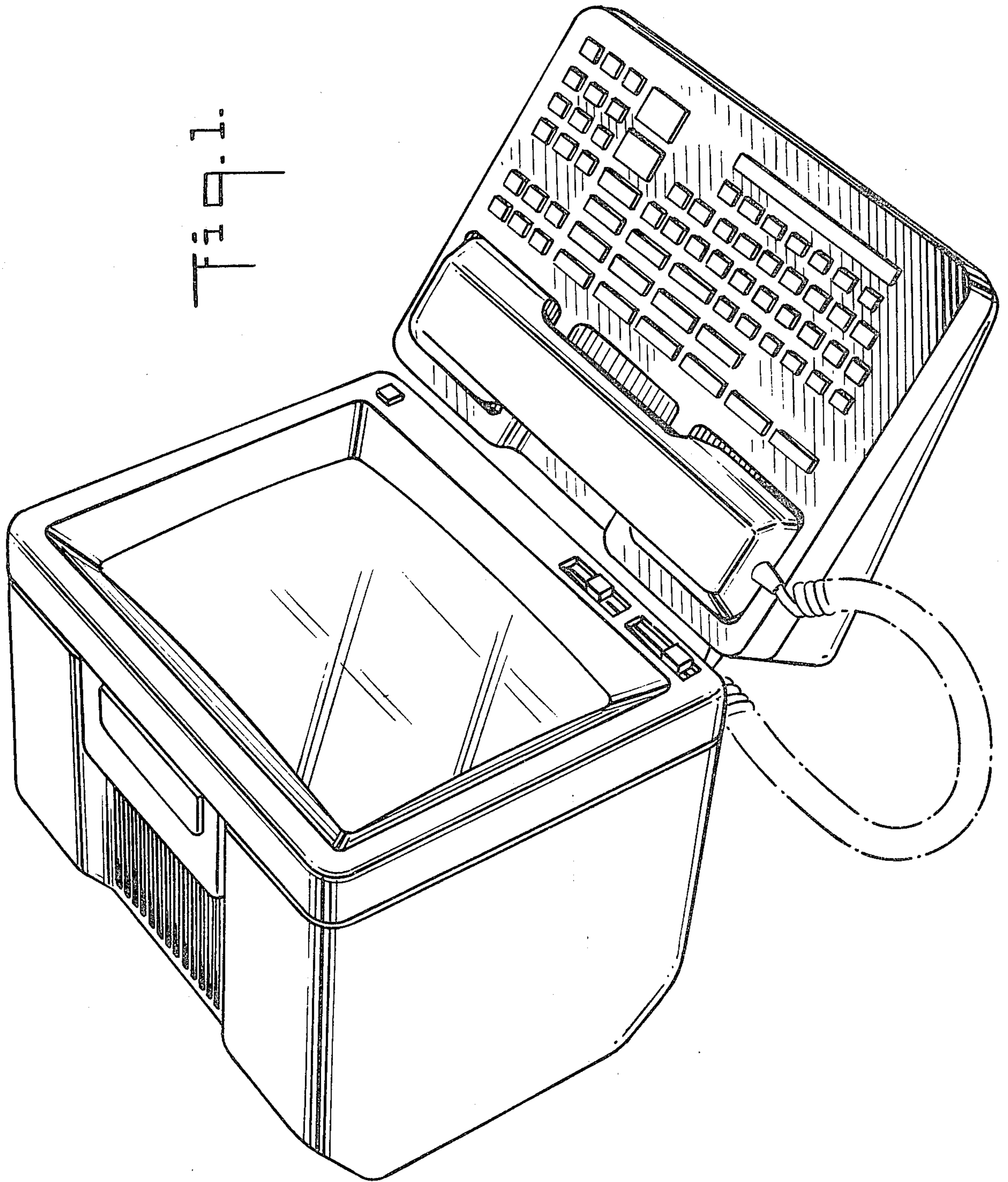


Fig. 1

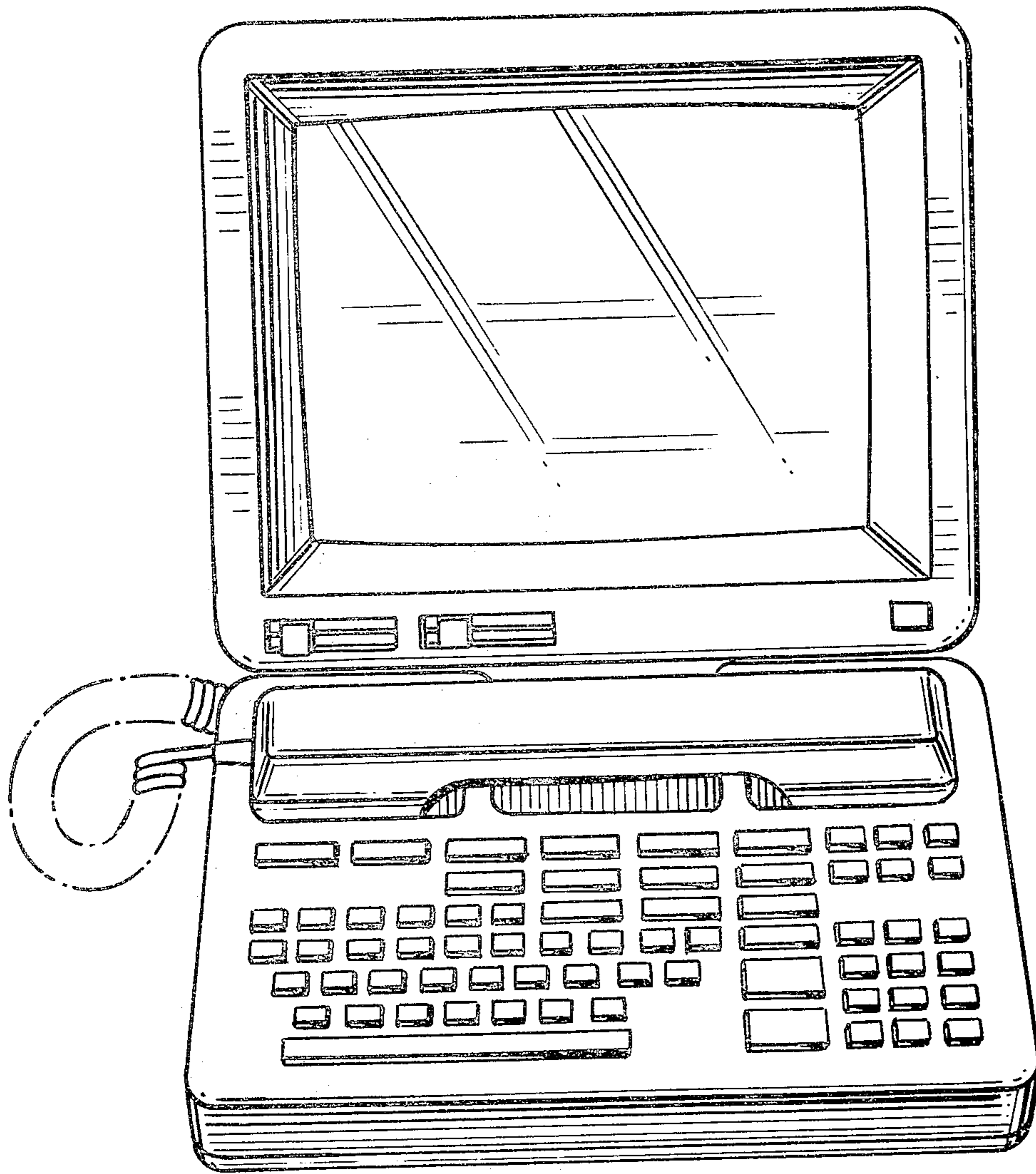


Fig. 2.

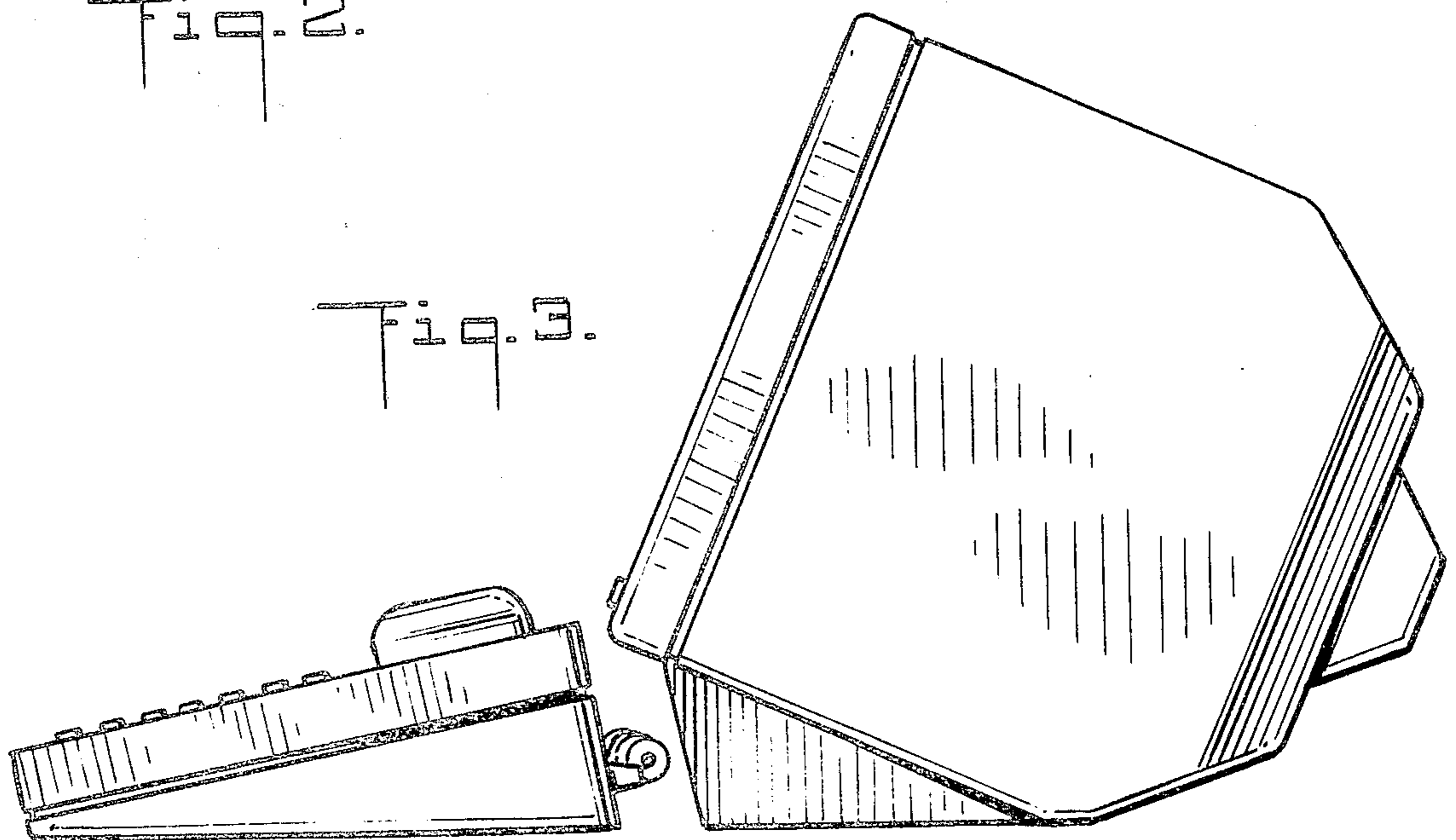


Fig. 3.

Fig. 4.

