

[54] SPEAKER

[76] Inventor: Bernard A. Brisson, 22417 Marine, East Detroit, Mich. 48021

[**] Term: 14 Years

[21] Appl. No.: 381,013

[22] Filed: May 24, 1982

[52] U.S. Cl. D14/35

[58] Field of Search D14/35; 181/177, 192, 181/195

[56] References Cited

U.S. PATENT DOCUMENTS

- D. 232,440 8/1974 Yanagawa D14/35
- D. 264,841 6/1982 Pickrel D14/35

OTHER PUBLICATIONS

Heathkit Spring '76 Cat., p. 18, MD-19A Deck Horn. Brisson Product Information. Electro-Voice Inc. Speaker #PA30AT shown in Photos filed on 9-2-82.

Primary Examiner—Jane E. Corrigan
Attorney, Agent, or Firm—Burton, Parker & Schramm

[57] CLAIM

The ornamental design for a speaker, as shown.

DESCRIPTION

FIG. 1 is a front and top perspective view of a speaker showing my new design;
FIG. 2 is a rear elevational view;
FIG. 3 is a front elevational view;
FIG. 4 is a top plan view;
FIG. 5 is a left side elevational view;
FIG. 6 is a right side elevational view; and
FIG. 7 is a bottom plan view.

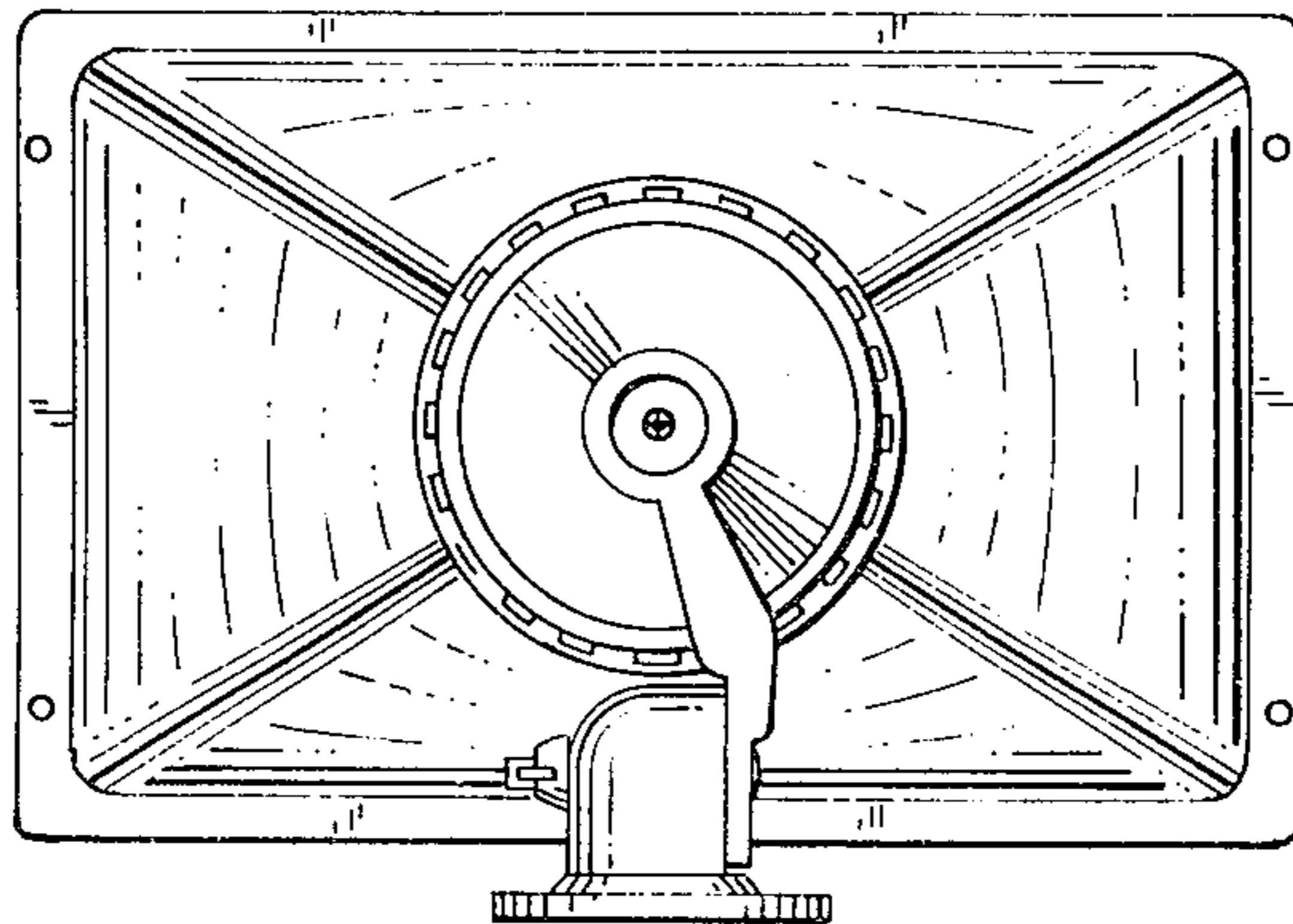
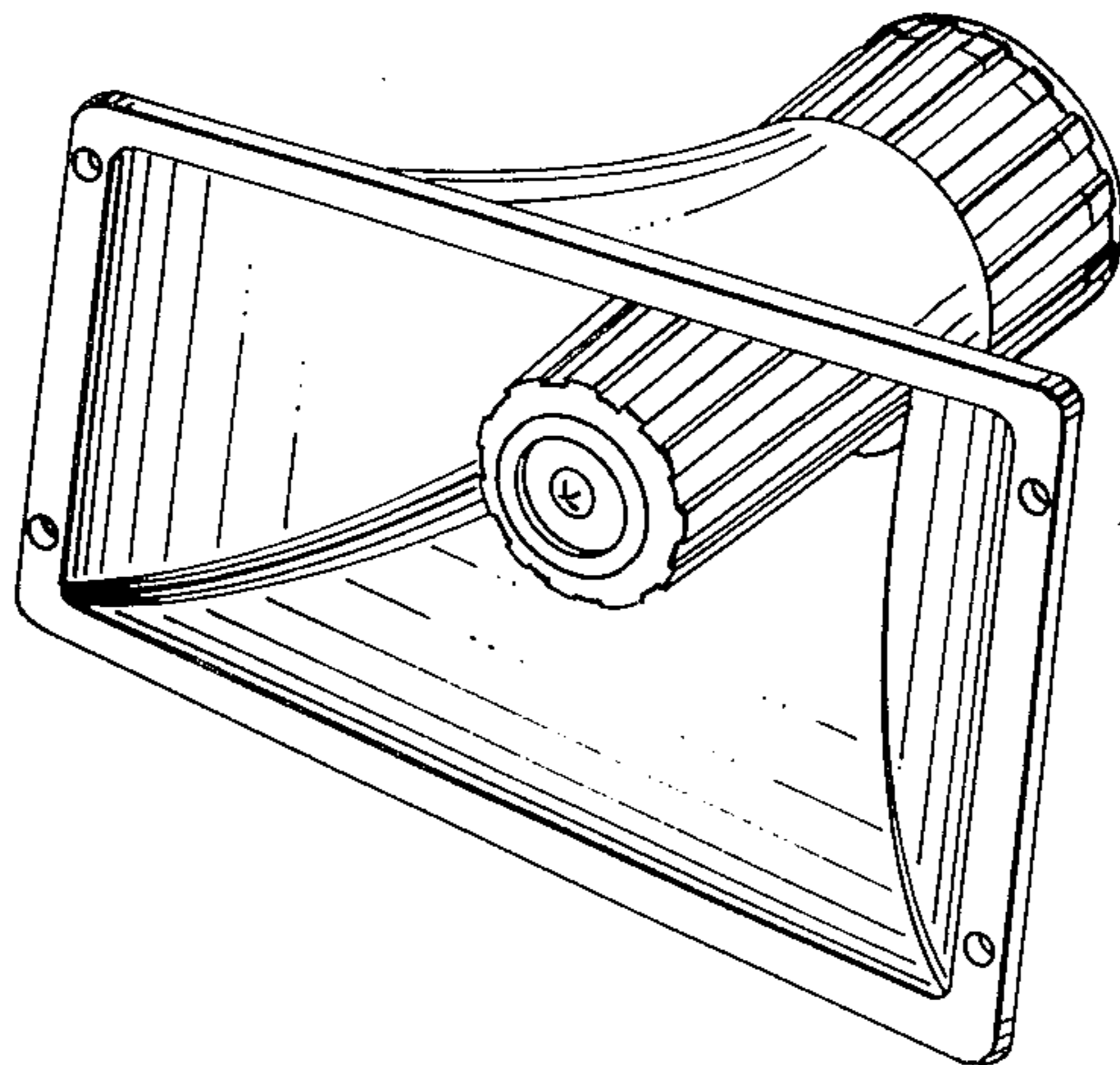


FIG. 1

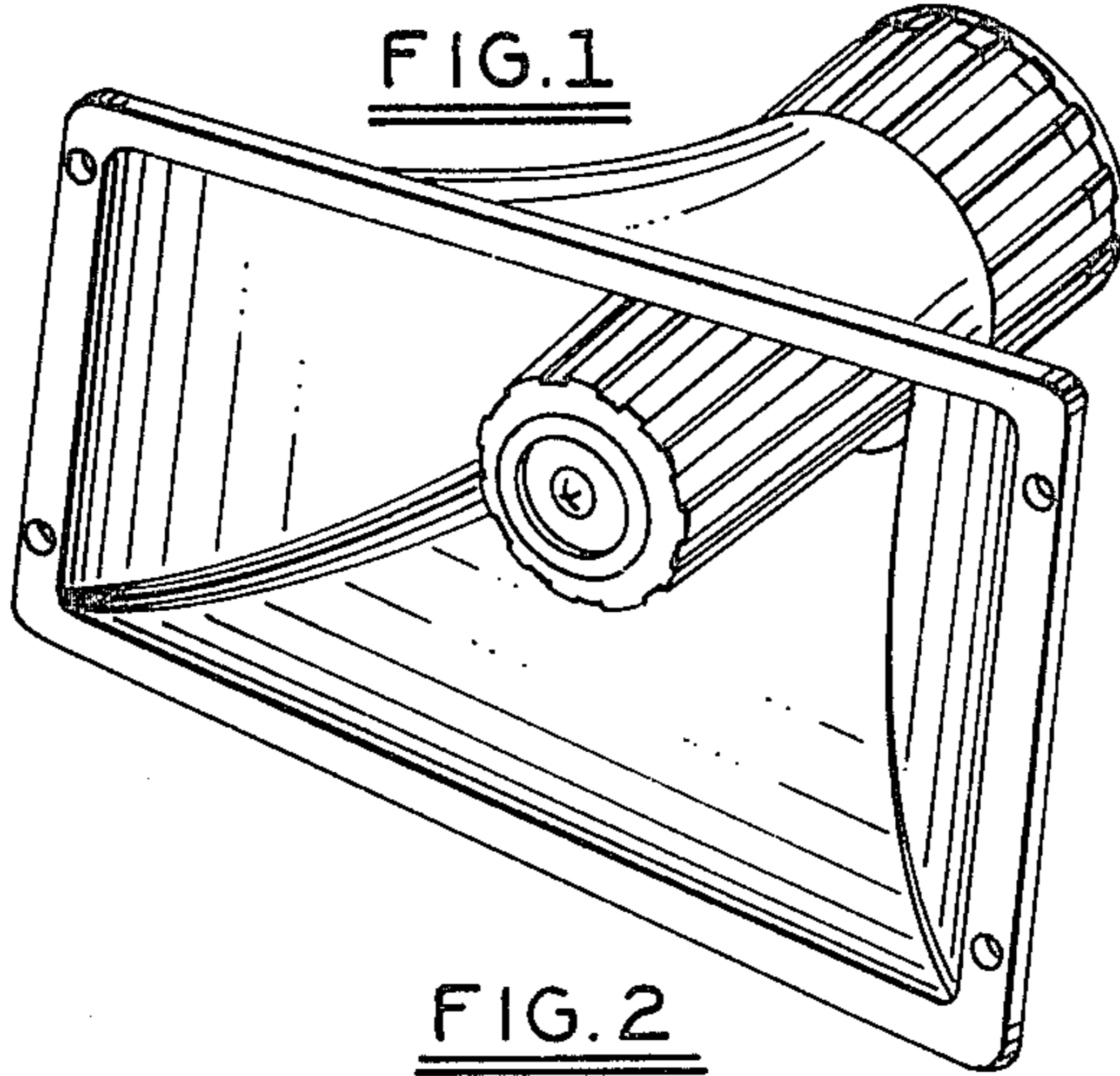


FIG. 2

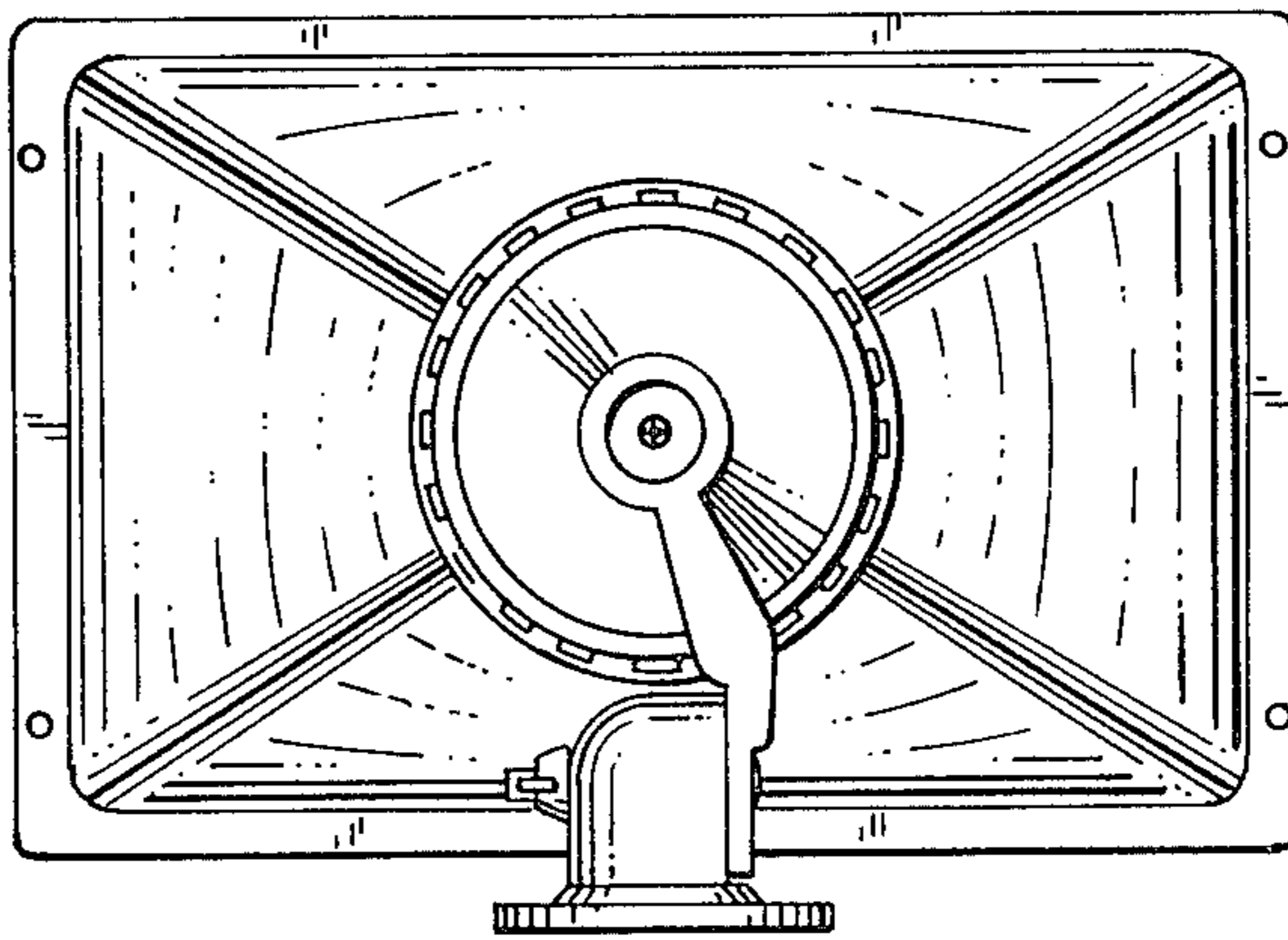


FIG. 3

