

[54] CONNECTOR CASE

[75] Inventor: Kirk D. Wilson, Littleton, Colo.

[73] Assignee: Protex Industries, Inc., Denver, Colo.

[**] Term: 14 Years

[21] Appl. No.: 372,246

[22] Filed: Apr. 26, 1982

[52] U.S. Cl. D13/24

[58] Field of Search D13/24; 339/91 R, 103 R, 339/154, 155, 156 R, 159, 176 R, 176 M, 198 R, 217

[56]

References Cited

U.S. PATENT DOCUMENTS

D. 196,912 11/1963 Kostich D13/24
4,236,779 12/1980 Tang 339/156 R X

Primary Examiner—Susan J. Lucas
Attorney, Agent, or Firm—Max L. Wymore

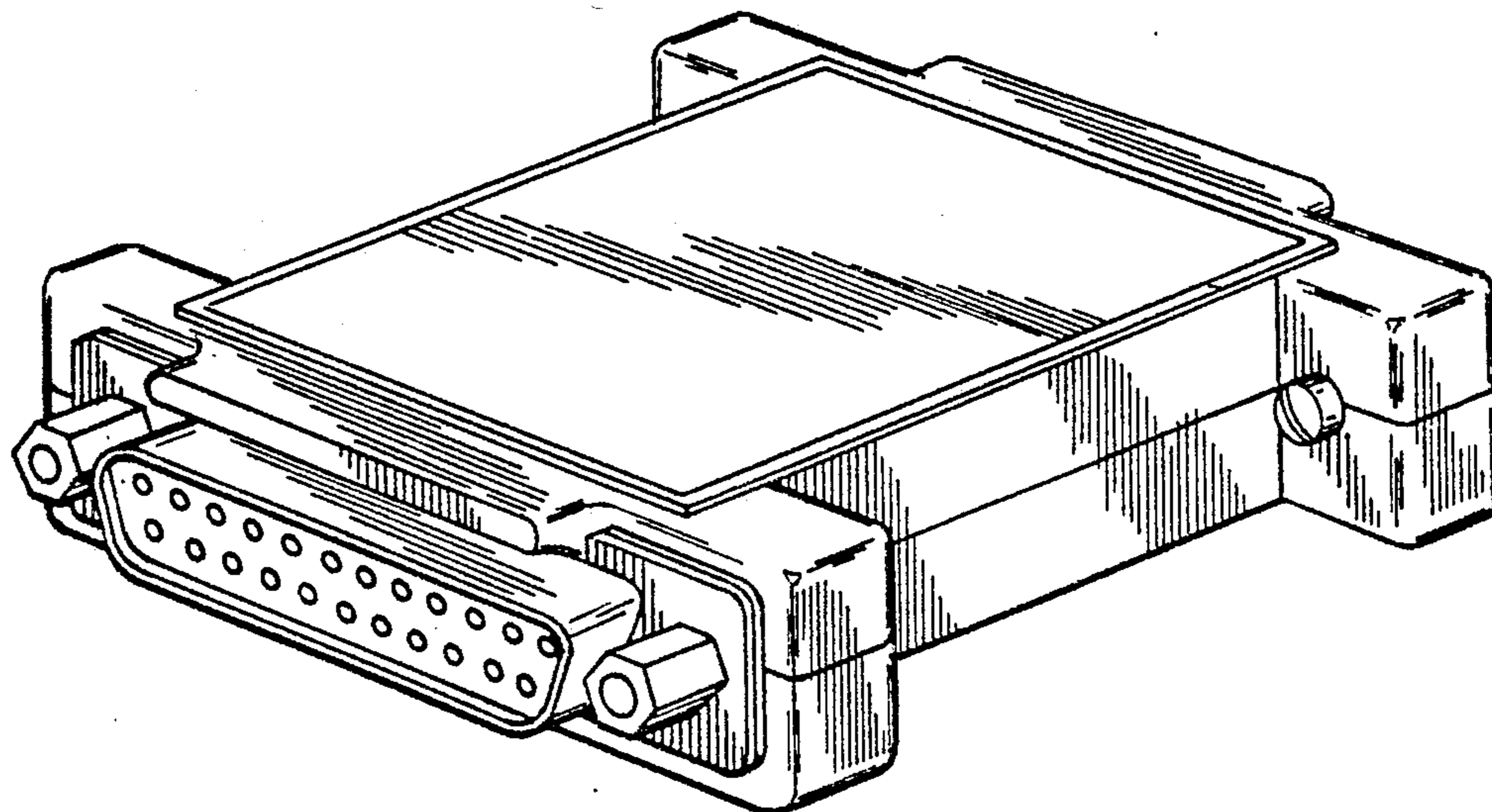
[57]

CLAIM

The ornamental design for a connector case, as shown and described.

DESCRIPTION

FIG. 1 is a perspective view of a connector case showing my new design;
FIG. 2 is a top plan view thereof;
FIG. 3 is a front elevational view thereof;
FIG. 4 is a bottom plan view thereof;
FIG. 5 is a rear elevational view thereof;
FIG. 6 is a side elevational view thereof, the opposite side being a mirror image.



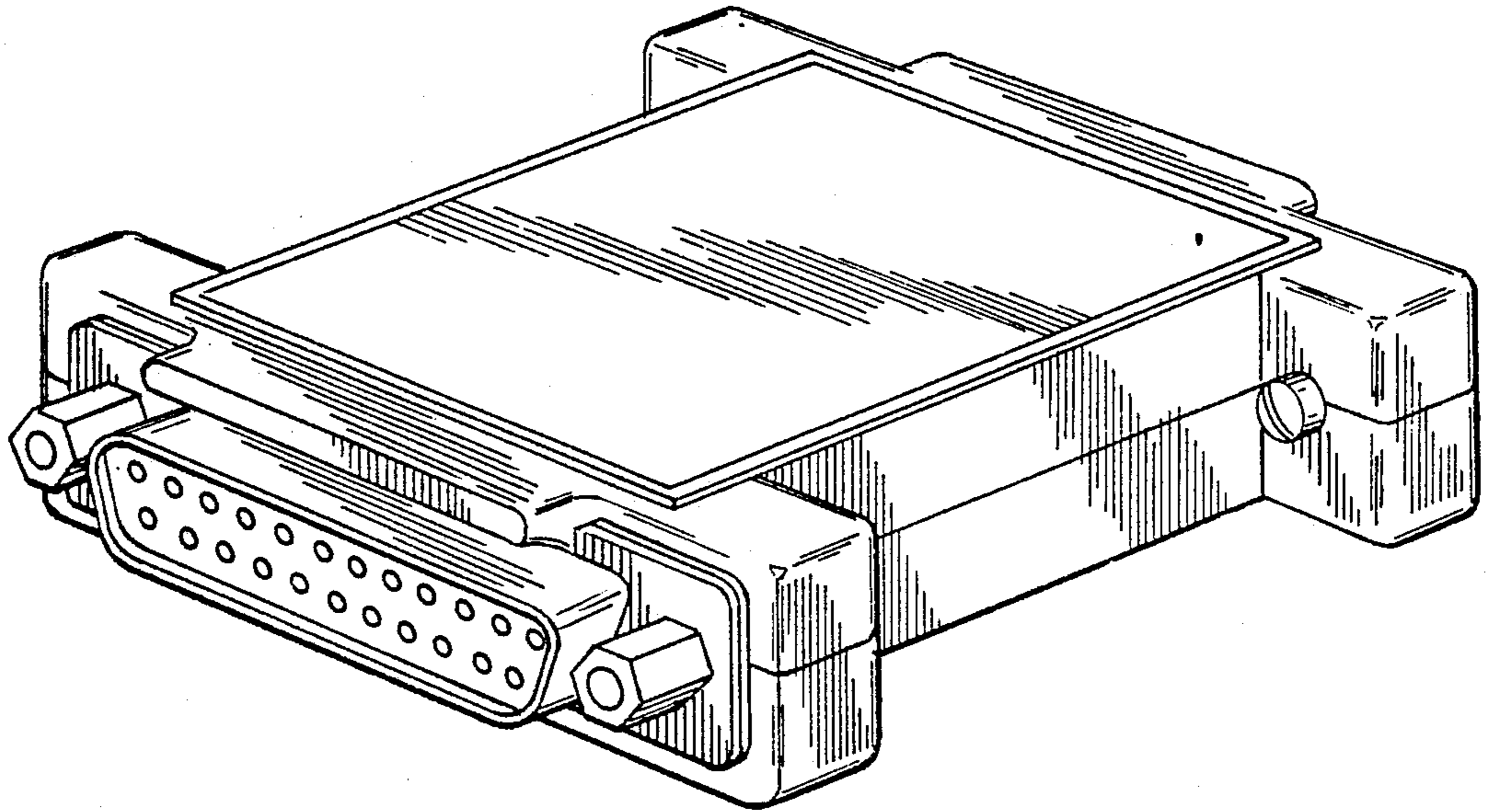


FIG. 1

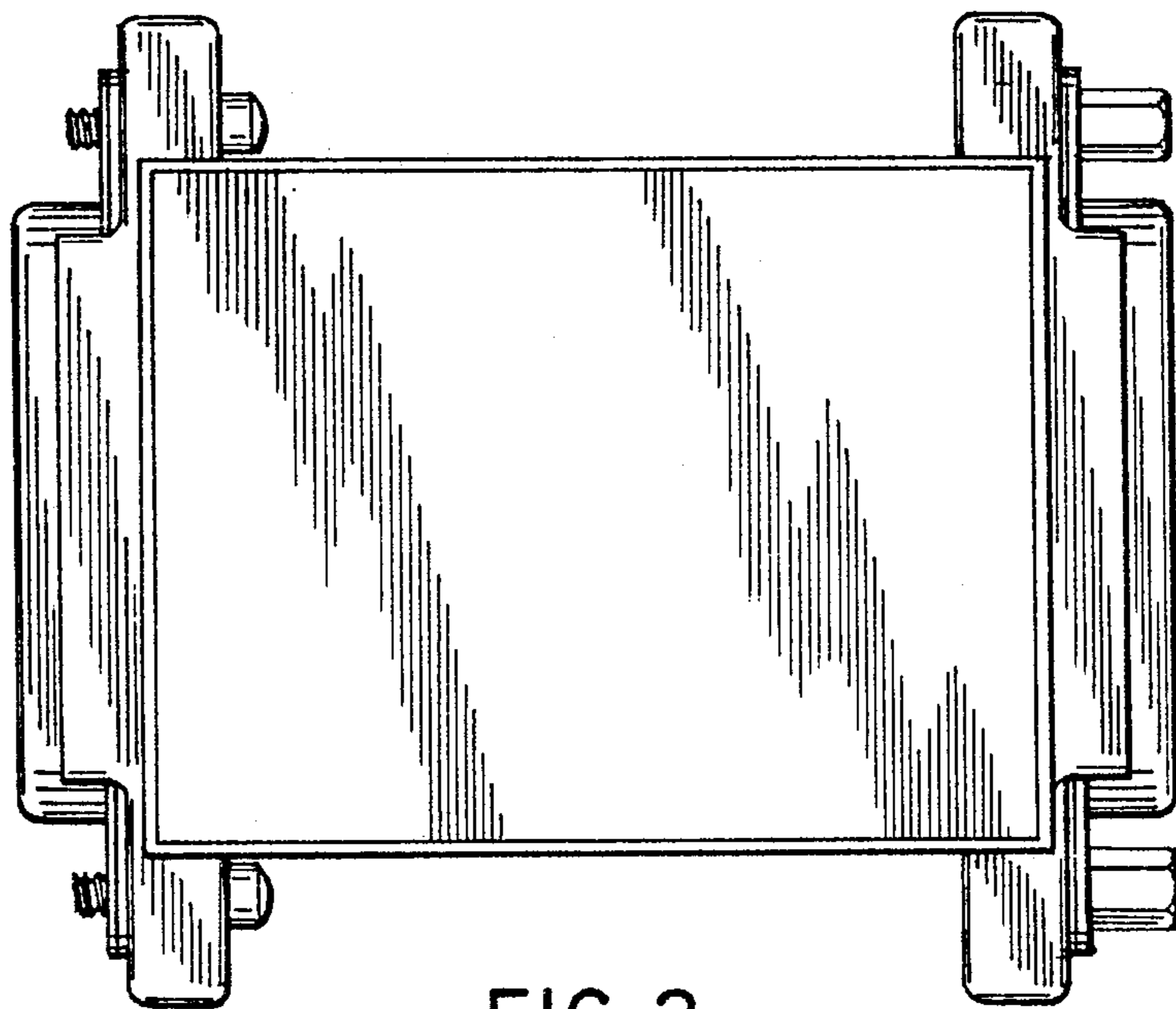


FIG. 2

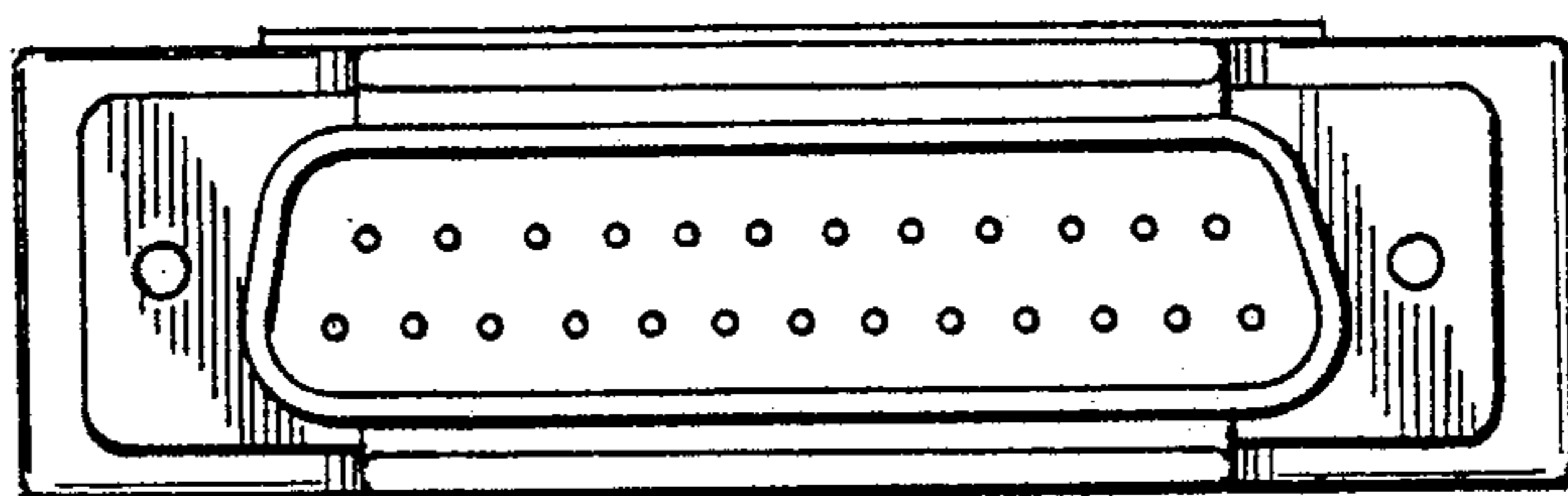


FIG. 3

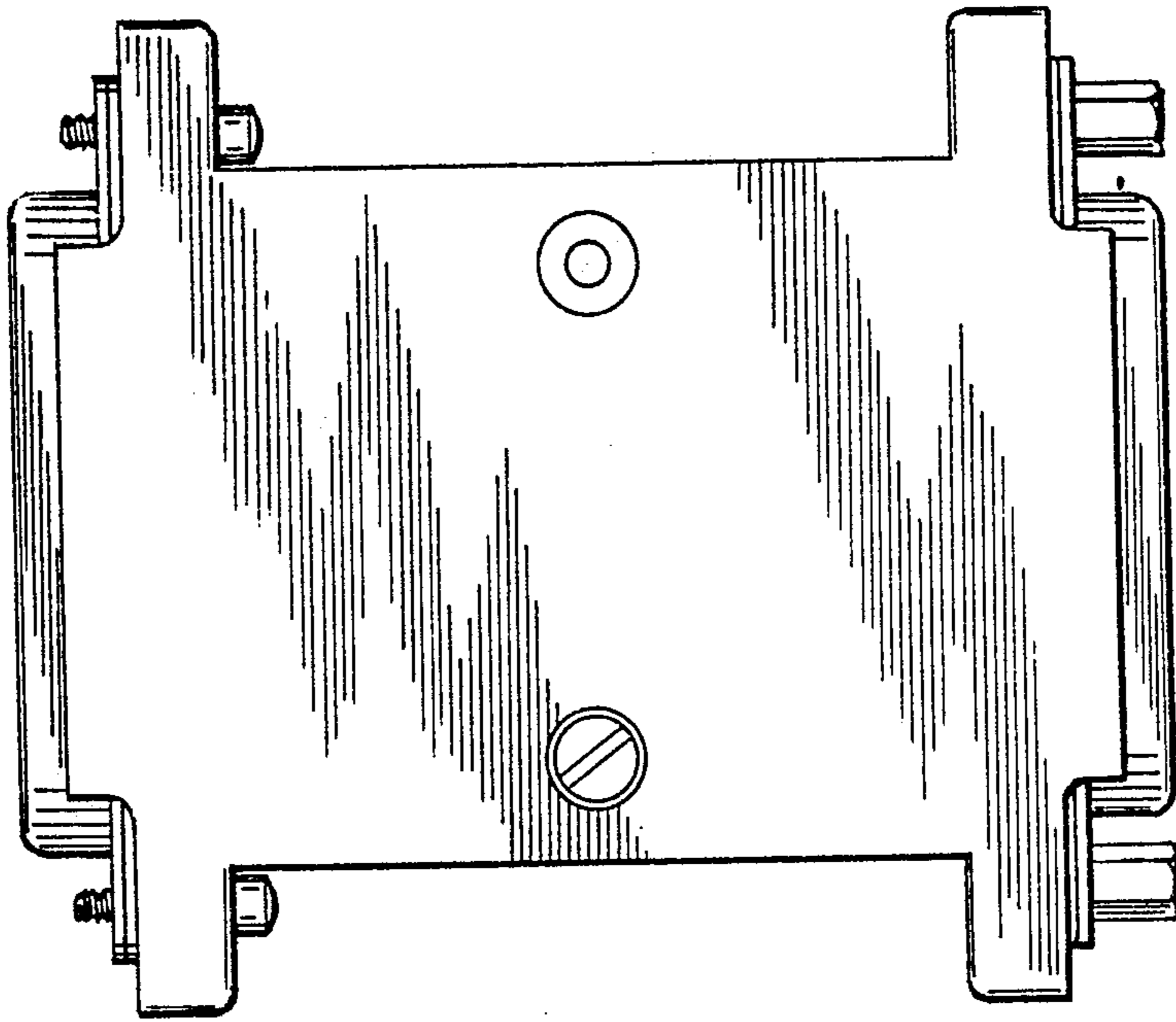


FIG. 4

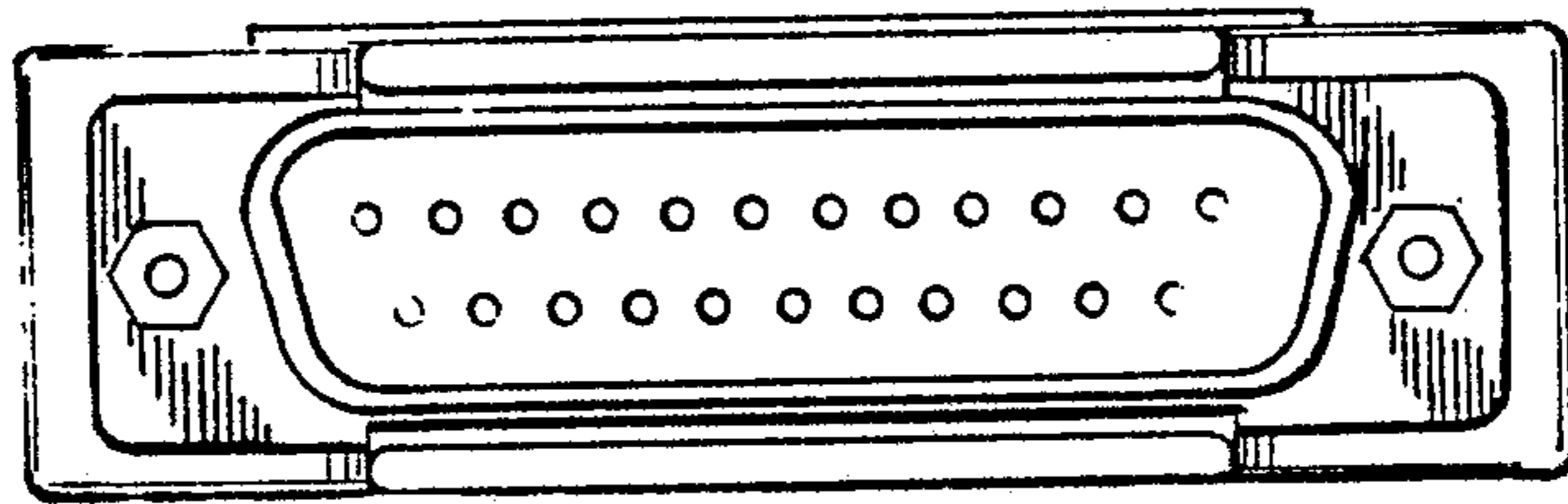


FIG. 5

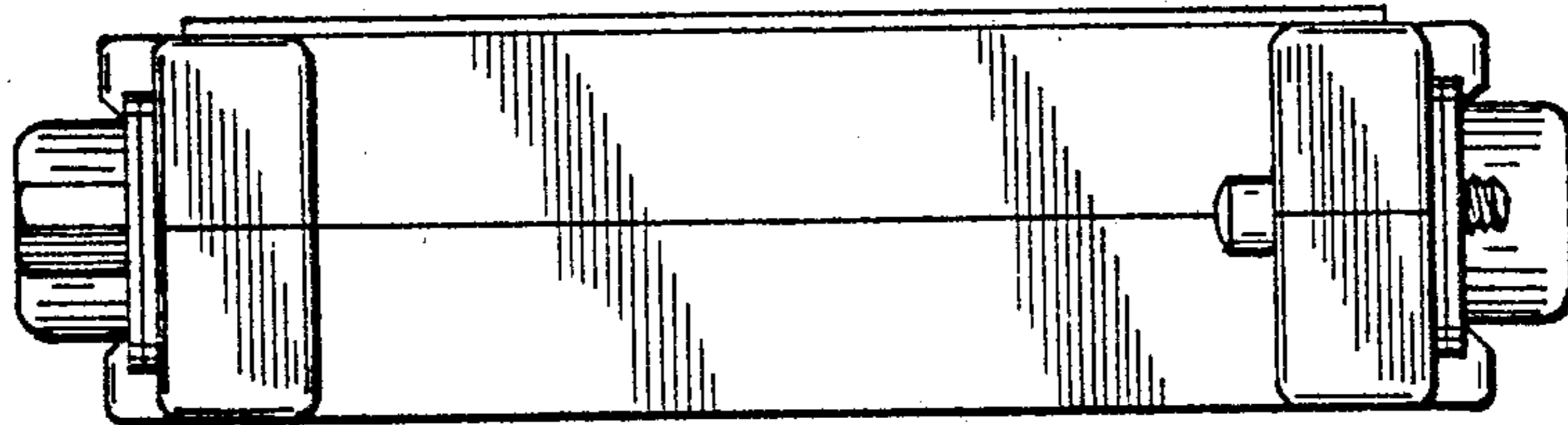


FIG. 6