

[54] **IC SOCKET PANEL OR THE LIKE**

[75] **Inventor: Toshihiro Sakurai, Tokyo, Japan**

[73] **Assignee: Yamaichi Electric Mfg. Co., Ltd., Tokyo, Japan**

[**] **Term: 14 Years**

[21] **Appl. No.: 356,151**

[22] **Filed: Mar. 8, 1982**

[52] **U.S. Cl. D13/24**

[58] **Field of Search D13/12, 24, 35, 30, D13/99; 339/17 CF, 18 R, 18 B, 18 C, 75 R, 75 M, 176 R, 176 M, 184 M**

[56] **References Cited**

U.S. PATENT DOCUMENTS

D. 213,697 4/1969 Oxley D13/24
3,129,044 4/1964 Lyman, Jr. et al. 339/184 M X
3,325,766 6/1967 Kolb et al. 339/17 CF X
3,335,388 8/1967 Karol D13/24 X

3,430,183 2/1969 Feeser et al. 339/18 R

Primary Examiner—Susan J. Lucas
Attorney, Agent, or Firm—Wenderoth, Lind & Ponack

[57] **CLAIM**

The ornamental design for an IC socket panel or the like, as shown and described.

DESCRIPTION

FIG. 1 is a top and left front perspective view of an IC socket panel or the like with a lever engaged therewith, showing my new design;
FIG. 2 is a top and left front perspective view thereof with the lever released and rising therefrom;
FIG. 3 is a bottom and left front perspective view thereof;
FIG. 4 is a top plan view thereof on a reduced scale;
FIG. 5 is a front elevational view thereof on a reduced scale;
FIG. 6 is a right side elevational view thereof on a reduced scale; and
FIG. 7 is a rear elevational view thereof.

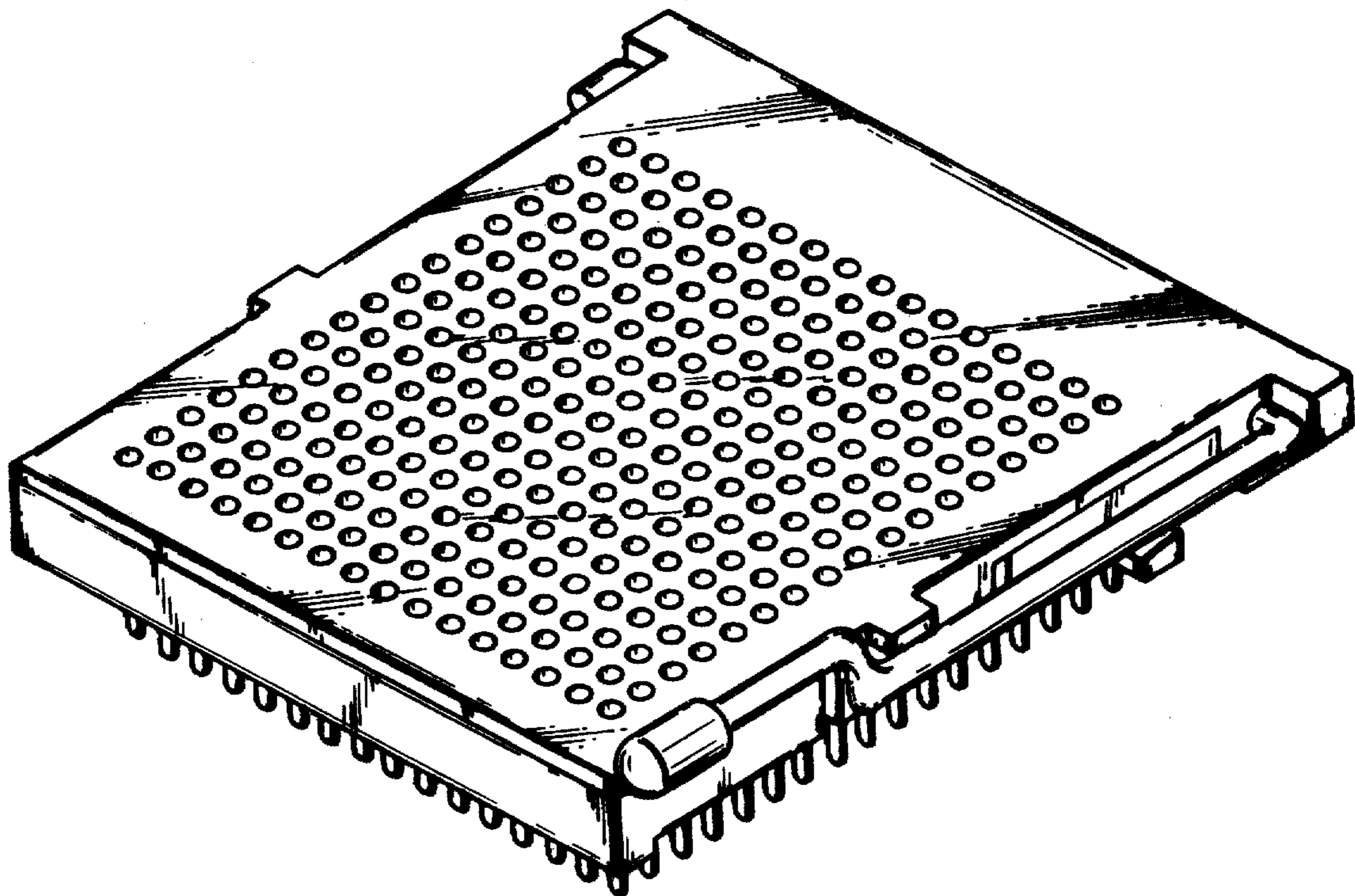


FIG. 1

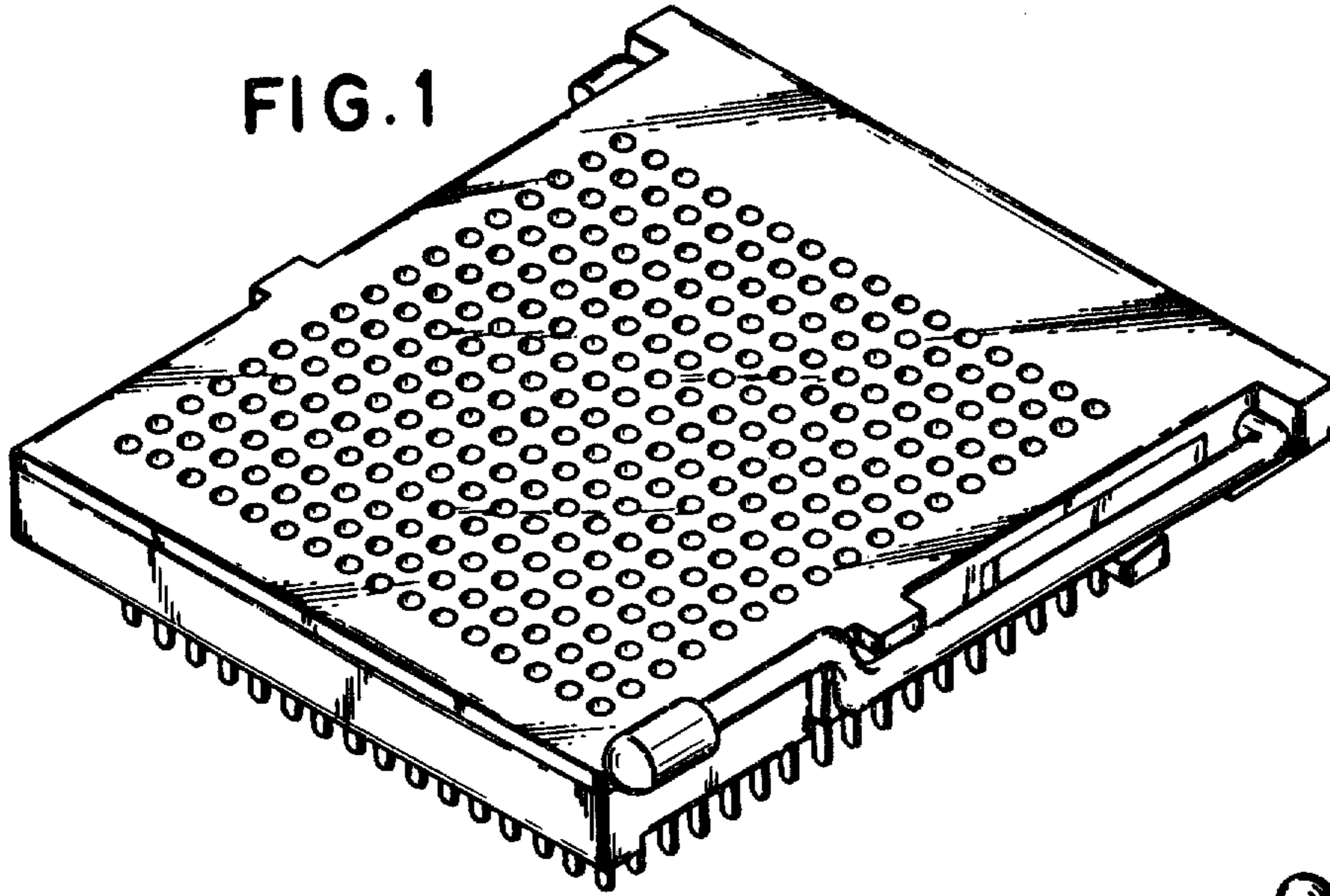


FIG. 2

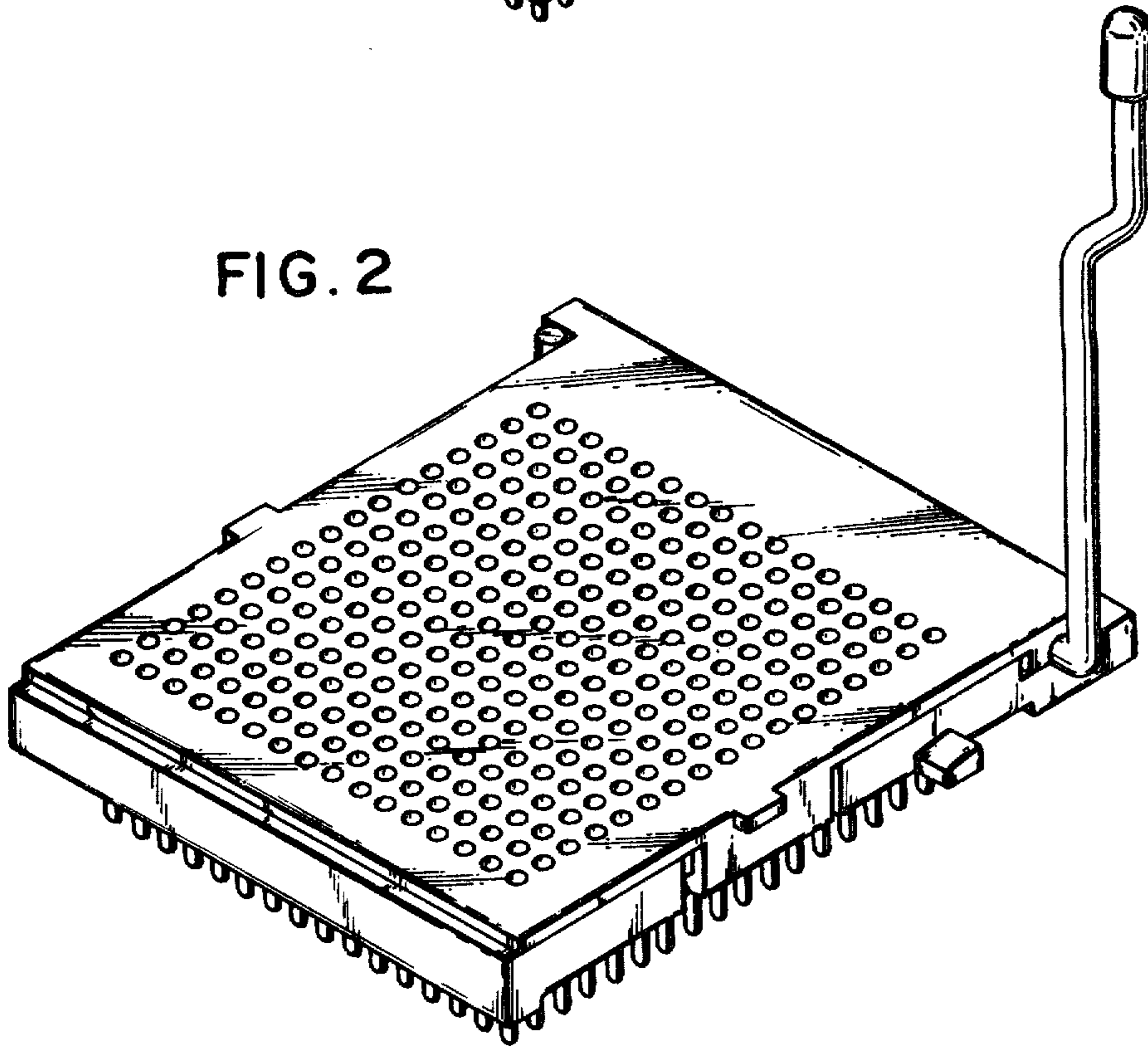


FIG. 3

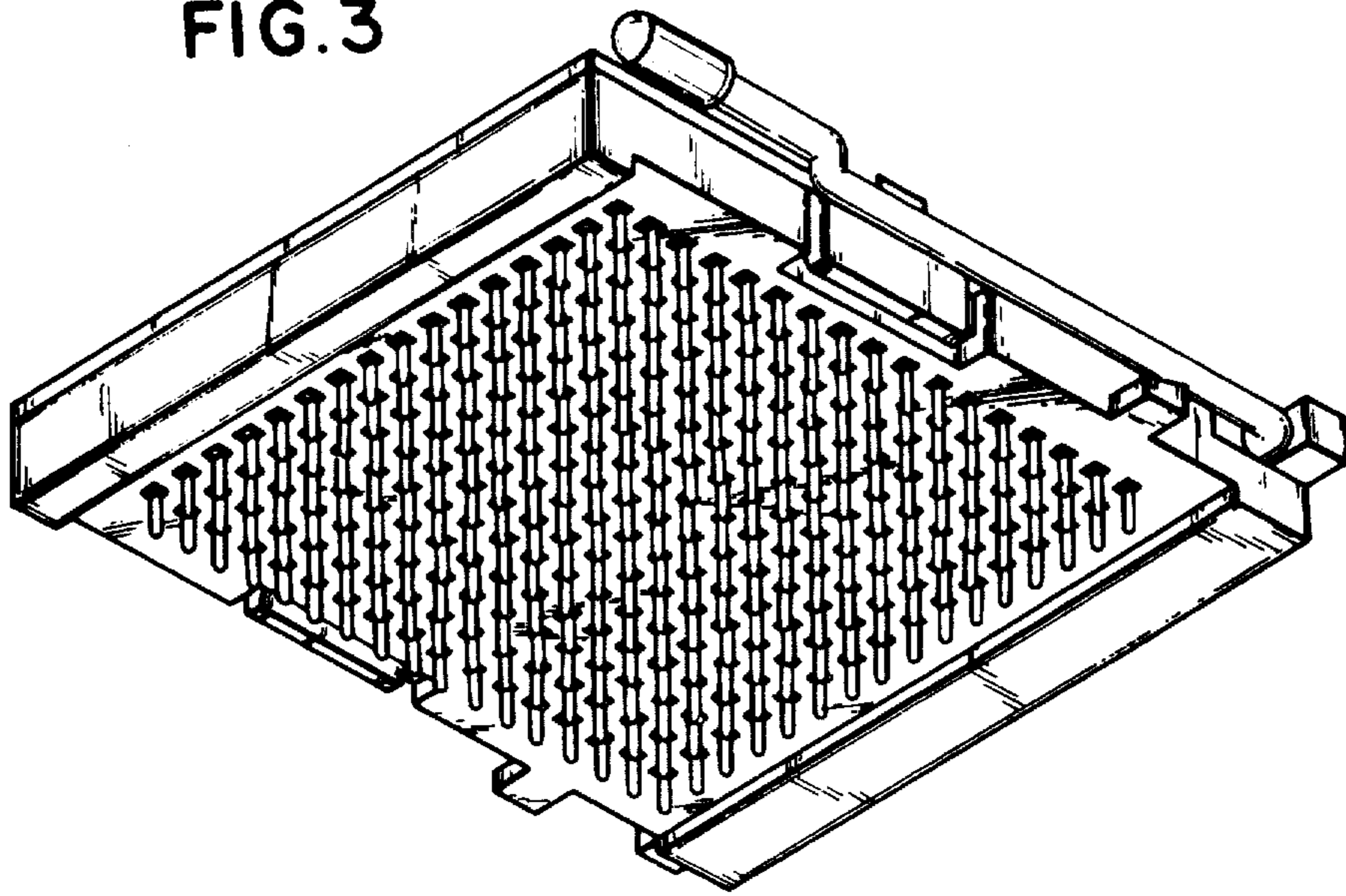


FIG. 4

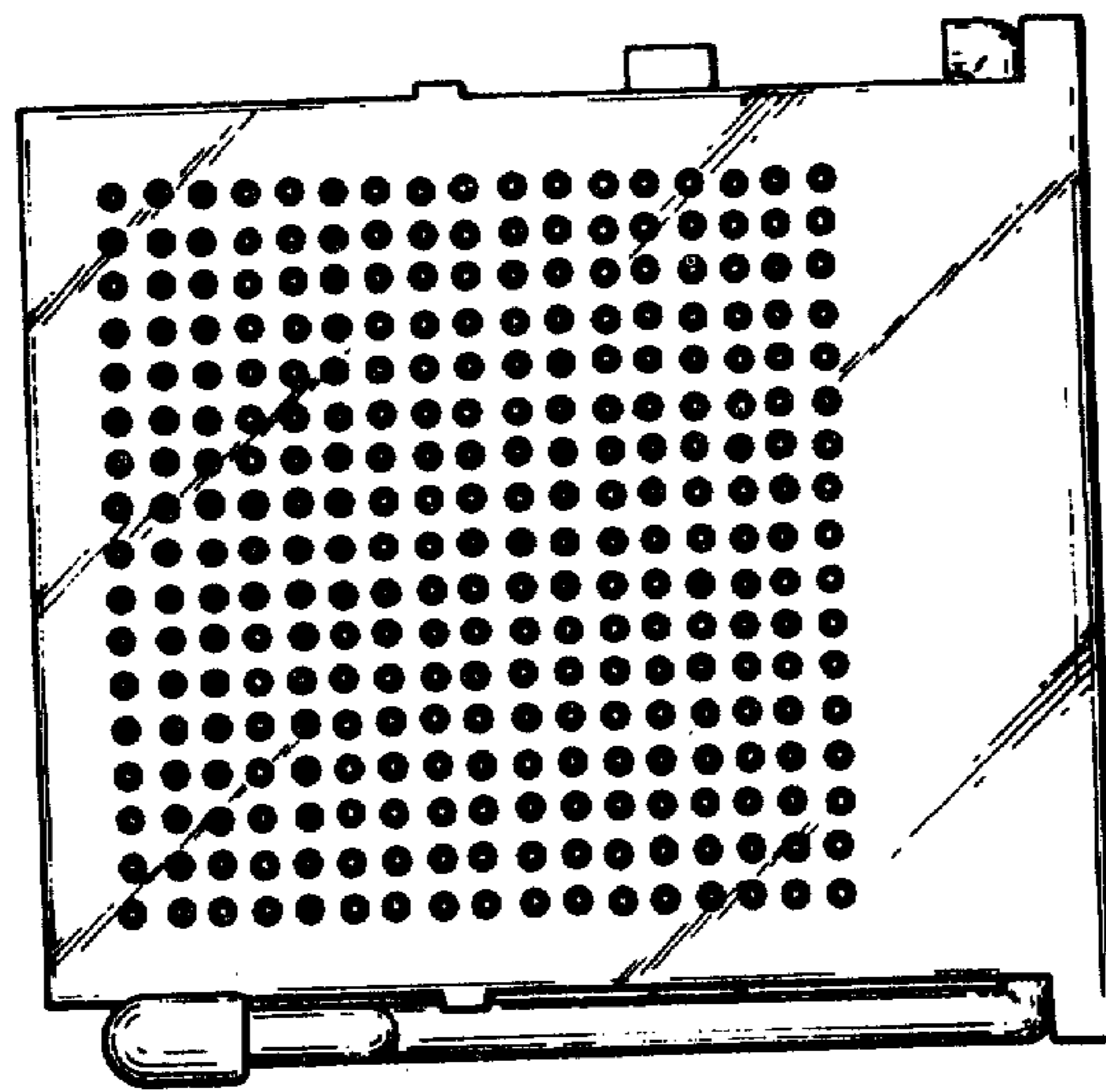


FIG. 5



FIG. 6

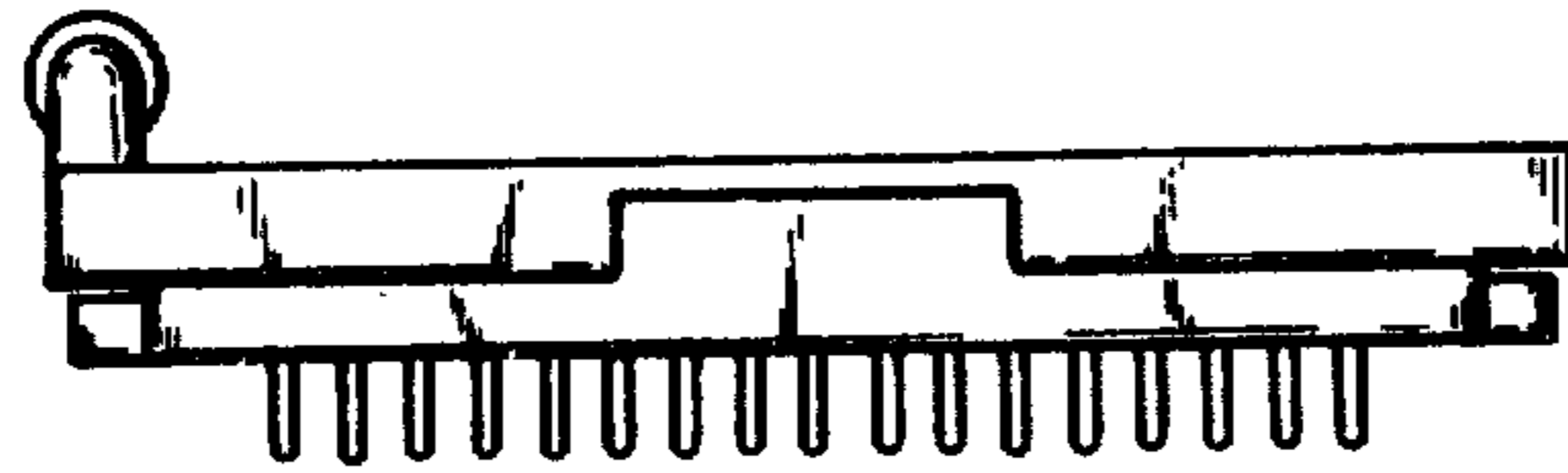


FIG. 7

